

REVISION RECORD				
REV	ECN	DESCRIPTION	DRFT	DATE
A0		NEW		21.12.16

NOTES1:  
 UL Standard  
 1. Rated voltage/current : 300V / 15A  
 2. Withstanding voltage : AC2500V/1Min.

IEC Standard

1.

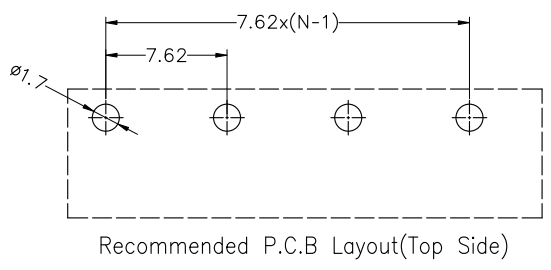
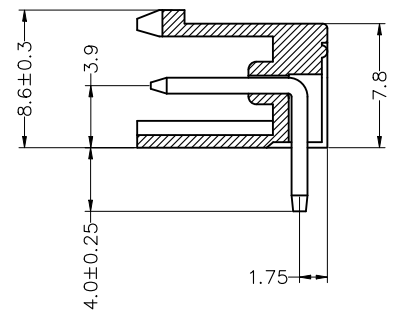
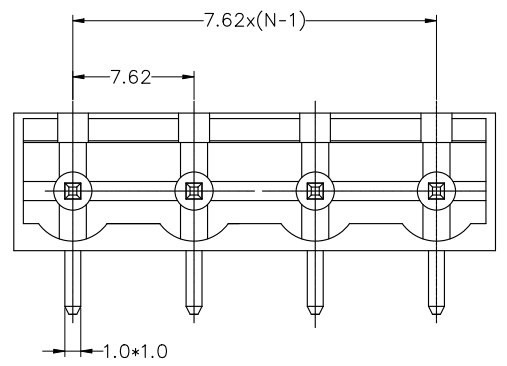
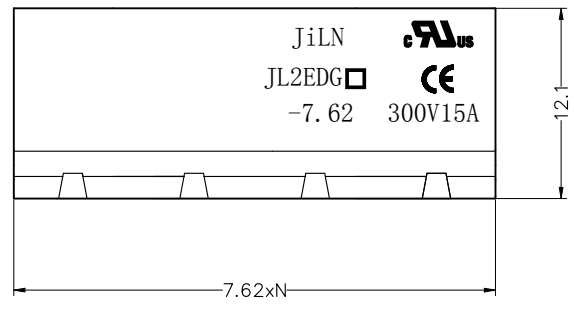
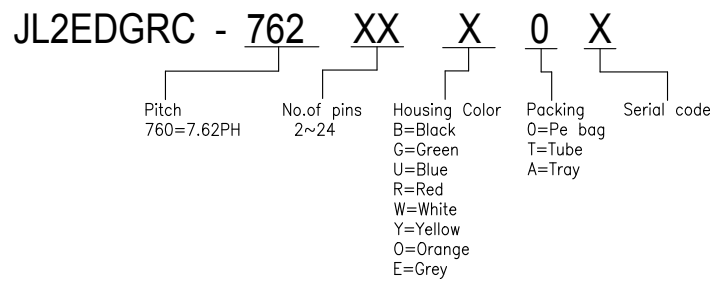
Pollution degree	2
Overtoltage category	III
Rate impulse voltage(KV)	4KV
Rate voltage(V)	400V
Rate current(A)	20A

NOTES2:  
 1. Dimension shall be interpreted per ASME Y14.5-2009  
 2. Pitch : 7.62mm, Poles : N=02~24P  
 3. Operating temperature: -40°C~+105°C  
 4. Undimensioned tolerances:

Pitch range in mm			Nominal dimension range in mm					0.1/10
To	Over	Over	To	Over	Over	Over		
6	6	10	30	30	60	100	150	
6	10	24	30	60	100	150		
±0.15	±0.20	±0.30	±0.30	±0.50	±0.70	±1.00	±1.30	
							±2'	

5. RoHS Compliance

### Ordering Information



DRAW	SHUANGPING ZHENG	SCALE	FIT
CHECK	LICHAO LIU	UNIT	mm
APPROVE	YONGLIANG GAO	SIZE	A4
		SHEET	1/1
		PROJ.	

**JILN** 东莞市锦凌电子有限公司  
 DONGGUAN JINLING ELECTRONIC CO., LTD

PART NO.	JL2EDGRC-762XXXXX
TITLE:	JL2EDGRC-7.62-XXP插拔式公座/弯脚