

NOTES1:

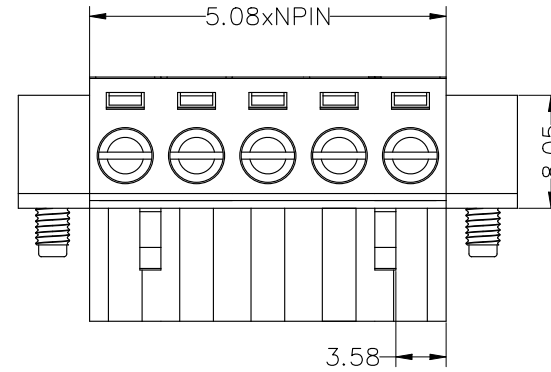
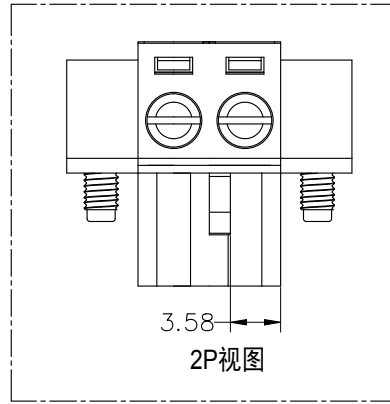
UL Standard

1. Rated voltage/current : 300V / 15A
2. Withstanding voltage : AC2000V/1Min.
3. Torque value : M2.5 , 3.5Lb.in
4. Wire range : 28~12AWG

IEC Standard

1. Pollution degree	2
Overvoltage category	III
Rate impulse voltage(KV)	4KV
Rate voltage(V)	320V
Rate current(A)	20A

2. Torque value : M2.5 , 0.5N·m
3. Wire range : 0.2~2.5mm²

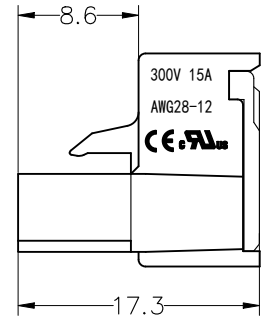
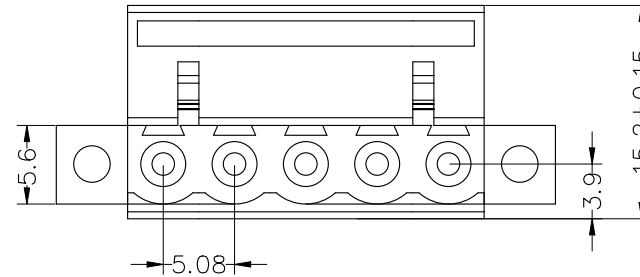
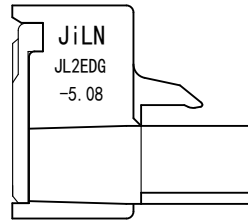


NOTES2:

1. Dimension shall be interpreted per ASME Y14.5-2009
2. Pitch : 5.08mm, Poles : N=02~24P
3. Stripping length : 7~8mm
4. Operating temperature: -40°C~+105°C
5. Undimensioned tolerances:

Pitch range in mm		Nominal dimension range in mm				0.1/10	±2°
To	Over	To	Over	To	Over		
6	6 TO 10	30	30 TO 60	100	100 TO 150		
	±0.20	±0.30	±0.30	±0.50	±0.70	±1.00	±1.30

6. RoHS Compliance



Ordering Information

JL 2EDGKM - 508 XX X XX

- Pitch: 508=5.08PH
- No. of pins: 2~24
- Housing Color:
 - B=Black
 - G=Green(convention)
 - U=Blue
 - R=Red
 - W=White
 - Y=Yellow
 - O=Orange
 - E=Grey
- Serial code

DRAW	SHUANGPING ZHENG	SCALE	FIT	东莞市锦凌电子有限公司 DONGGUAN JINLING ELECTRONIC CO., LTD	
		UNIT	mm		
CHECK	LICHAO LIU	SIZE	A4	PART NO.	JL2EDGKM-508XXXXX
		SHEET	1/1	TITLE:	JL2EDGKM-5.08-XXP插拔式母座/带耳/铜方块
APPROVE	YONGLIANG GAO	PROJ.			