

NOTES1:

UL Standard

1. Rated voltage/current : 300V / 8A
2. Withstanding voltage : AC1500V/1Min.
3. Torque value : M2 , 1.77Lb.in
4. Wire range : 28~16AWG

IEC Standard

1. Pollution degree	2
Overvoltage category	III
Rate impulse voltage(KV)	2.5KV
Rate voltage(V)	250V
Rate current(A)	7A

2. Torque value : M2 , 0.2N·m
3. Wire range : 0.5~1.5mm<sup>2</sup>

NOTES2:

1. Dimension shall be interpreted per ASME Y14.5-2009
2. Pitch : 3.81mm, Poles : N=02~24P
3. Stripping length : 6~7mm
4. Operating temperature: -40°C~+105°C
5. Undimensioned tolerances:

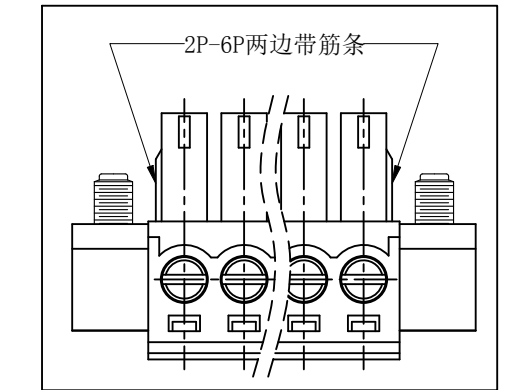
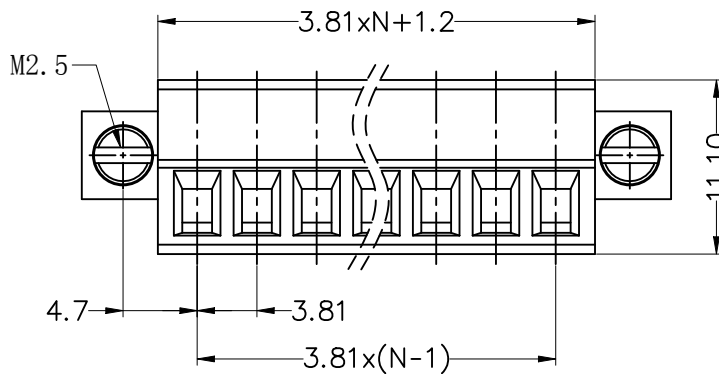
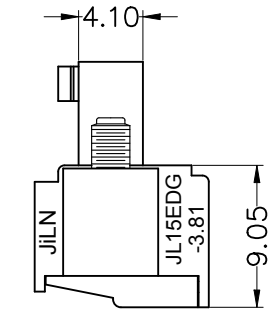
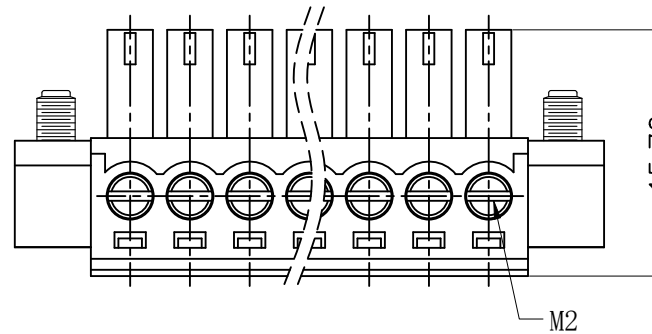
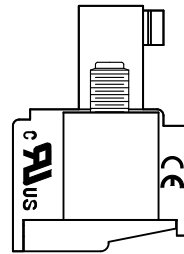
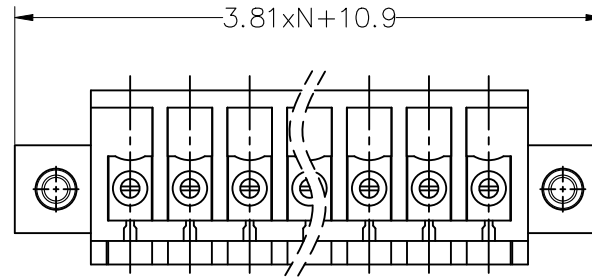
Pitch range in mm		Nominal dimension range in mm							
To	Over	To	Over	To	Over	To	Over	0.1/10	
6	10	30	60	100	150			∠	
±0.15	±0.20	±0.30	±0.50	±0.70	±1.00	±1.30		±2'	

6. RoHS Compliance

### Ordering Information

JL15EDGKM - 381 XX X 0 X

Pitch 381=3.81PH  
 No. of pins 2~24  
 Housing Color  
 B=Black  
 G=Green  
 U=Blue  
 R=Red  
 W=White  
 Y=Yellow  
 O=Orange  
 E=Grey  
 Packing  
 O=Pe bag  
 A=Tray  
 T=Tube  
 Serial code



REVISION RECORD				
REV	ECN	DESCRIPTION	DRFT	DATE
A		NEW		22.01.14

DRAW	SHUANGPING ZHENG	SCALE	FIT
CHECK	LICHAO LIU	UNIT	mm
APPROVE	YONGLIANG GAO	SIZE	A4
		SHEET	1/1
		PROJ.	

**JILN** 东莞市锦凌电子有限公司  
DONGGUAN JINLING ELECTRONIC CO., LTD

PART NO.	JL15EDGKM-381XXX0X
TITLE:	JL15EDGKM-3.81-XXP插拔式母座/带耳