

REVISION RECORD				
REV	ECN	DESCRIPTION	DRFT	DATE
AO		NEW		2020.11.20

NOTES1:  
 UL Standard  
 1. Rated voltage/current : 320V /20A  
 2. Withstanding voltage : AC2000V/1Min.  
 3. Torque value : M2.5 , 0.4N.m  
 4. Wire range : 28~12AWG

IEC Standard

1. Pollution degree	2
Overvoltage category	II
Rate impulse voltage(KV)	2.5KV
Rate voltage(V)	250V
Rate current(A)	7A

2. Torque value : M2.5 , 4.08kgf.cm  
 3. Wire range : 0.2~3.31mm<sup>2</sup>

NOTES2:  
 1. Dimension shall be interpreted per ASME Y14.5-2009  
 2. Pitch : 5.08mm, Poles : N=02~24P  
 3. Stripping length : 5~8mm  
 4. Operating temperature: -40°C~+105°C  
 5. Undimensioned tolerances:

Pitch range in mm		Nominal dimension range in mm							Tolerances	
TO	Over	TO	Over	TO	Over	TO	Over	0.1/10		
6	10	10	24	30	60	100	150		<	
±0.15	±0.20	±0.30	±0.30	±0.50	±0.70	±1.00	±1.30		±2°	

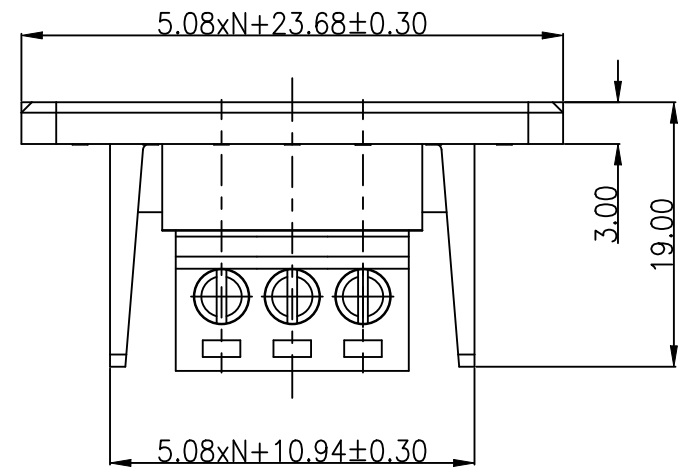
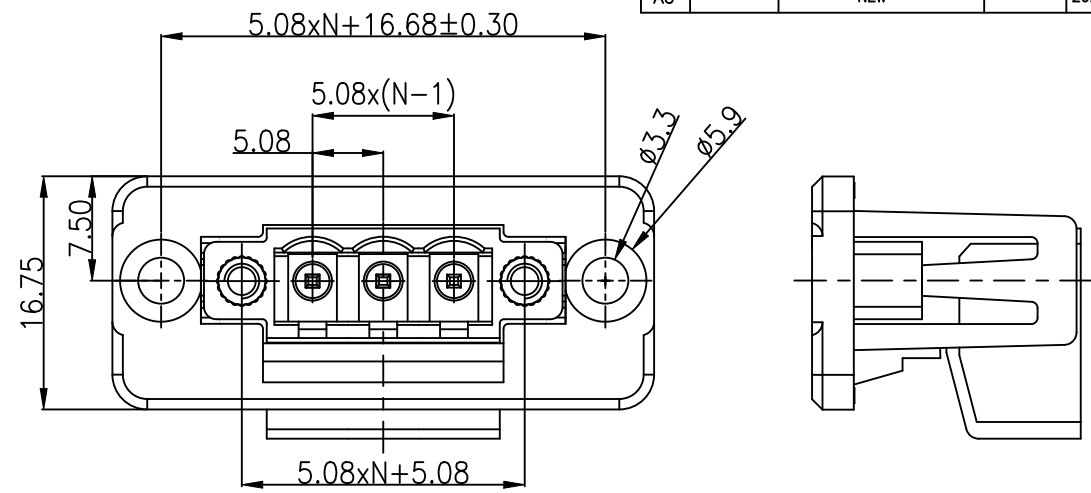
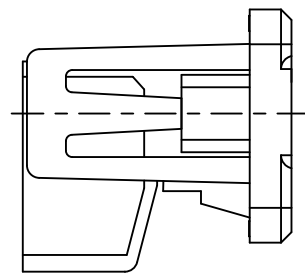
6. RoHS Compliance

### Ordering Information

JL2EDGKWC - 508 XX X XX

Pitch 508=5.08PH    No. of pins 2~24    Housing Color    Serial code

B=Black  
 G=Green  
 U=Blue  
 R=Red  
 W=White  
 Y=Yellow  
 O=Orange  
 E=Grey



DRAW	SHUANGPING ZHENG	SCALE	FIT	东莞市锦凌电子有限公司 DONGGUAN JINLING ELECTRONIC CO., LTD	
		UNIT	mm		
CHECK	LIULICHAO	SIZE	A4		
		SHEET	1/1		
APPROVE	GAO YONGLIANG	PROJ.		PART NO.	JL2EDGKWC-508XXXXX
				TITLE:	JL2EDGKWC-5.08-XXP插拔式端子台/两件式