

REVISION RECORD				
REV	ECN	DESCRIPTION	DRFT	DATE
A0		NEW		21.06.10

NOTES1:

UL Standard

1. Rated voltage/current : 300V / 15A
2. Withstanding voltage : AC1600V/1Min.

IEC Standard

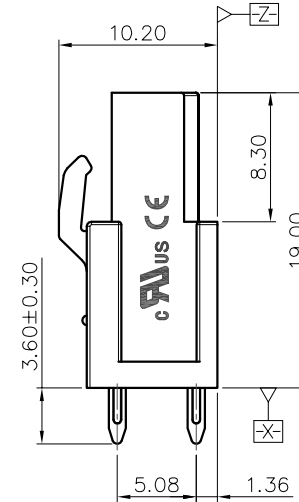
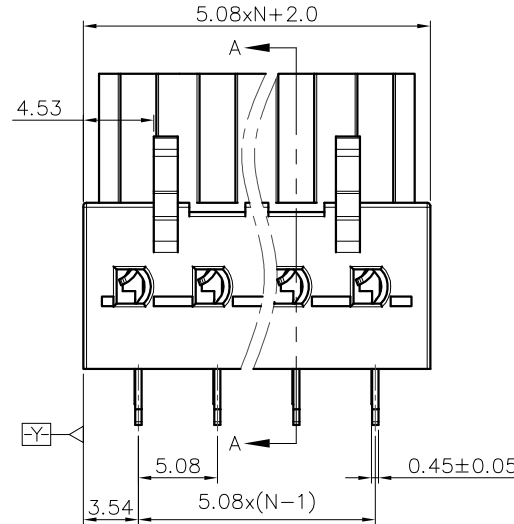
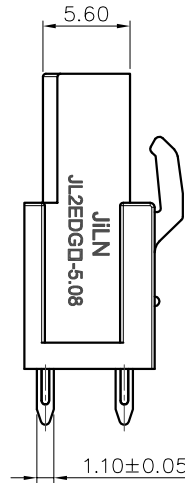
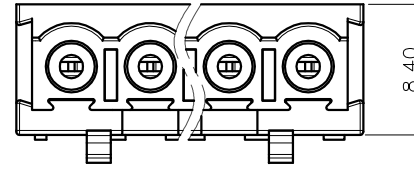
1. Pollution degree	2	2	3
Overvoltage category	II	III	III
Rate impulse voltage(KV)	4KV	4KV	4KV
Rate voltage(V)	630V	320V	320V
Rate current(A)	20A		

NOTES2:

1. Dimension shall be interpreted per ASME Y14.5-2009
2. Pitch : 5.08mm, Poles : N=02~24P
3. Operating temperature: -40°C~+105°C
4. Undimensioned tolerances:

Pitch range in mm		Nominal dimension range in mm						0.1/10			
TO	Over	TO	Over	TO	Over	TO	Over				
6	6	10	10	30	30	60	60	100	100	150	150
±0.15	±0.20	±0.30	±0.30	±0.50	±0.70	±1.00	±1.30	±2'			

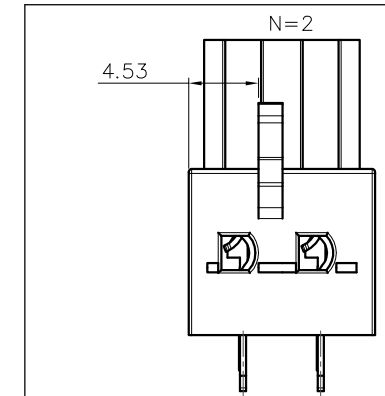
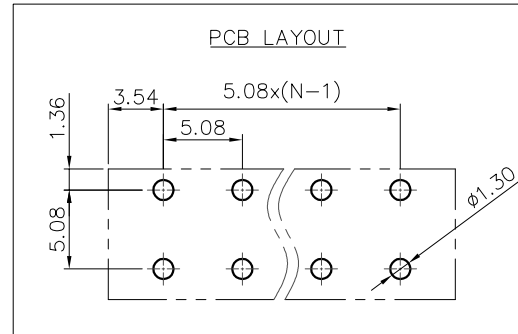
5. RoHS Compliance



## Ordering Information

**JL2EDGB - 508 XX G 0 1**

- Pitch: 508=5.08PH
- No. of pins: 2P, 3P, 4P~12P
- Housing Color: B=Black, G=Green, U=Blue, R=Red, W=White, Y=Yellow, □=Orange, E=Grey
- Packing: 0=Pe bag, T=Tube, A=Tray



ITEM	NAME OF PART	MATERIAL	NOTES
2	Clamp	Copper alloy	Sn Plated
1	Housing	PA66	UL94V-0

DRAW	SHUANGPING ZHENG	SCALE	FIT
CHECK	LICHAO LIU	UNIT	mm
APPROVE	YONGLIANG GAO	SIZE	A4
		SHEET	1/1
		PROJ.	☐

东莞市锦凌电子有限公司 DONGGUAN JINLING ELECTRONIC CO., LTD	
PART NO.	JL2EDGB-508XXG01
TITLE:	JL2EDGB-5.08-XXP插拔式母座/直脚/绿色