

REVISION RECORD				
REV	ECN	DESCRIPTION	DRFT	DATE
A1		依实物变更字码位置		21.08.18

NOTES1:  
 UL Standard  
 1.Rated voltage/current : 300V / 15A  
 2.Withstanding voltage : AC1600V/1Min.

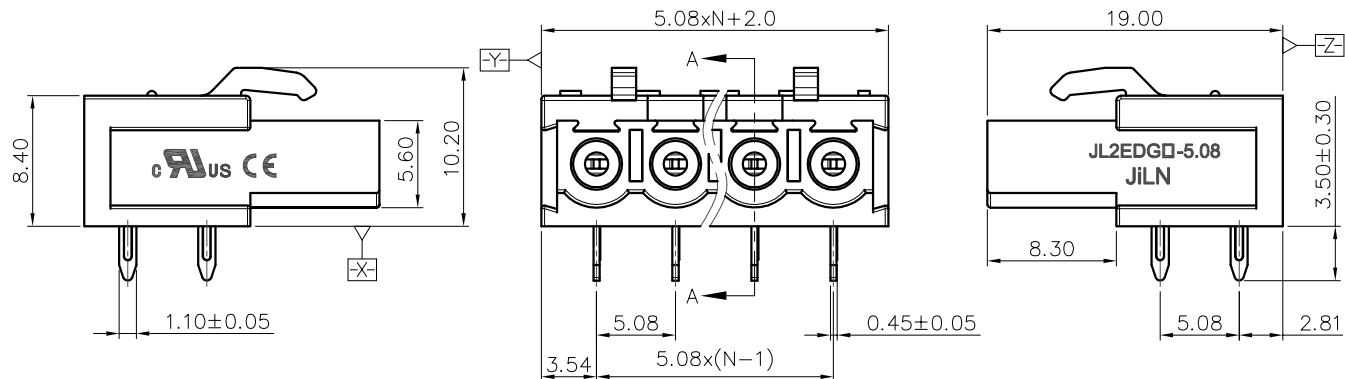
IEC Standard

1. Pollution degree	2	2	3
Overvoltage category	II	III	III
Rate impulse voltage(KV)	4KV	4KV	4KV
Rate voltage(V)	630V	320V	320V
Rate current(A)	20A		

NOTES2:  
 1.Dimension shall be interpreted per ASME Y14.5-2009  
 2.Pitch : 5.08mm, Poles : N=02~24P  
 3.Operating temperature: -40°C~+105°C  
 4.Undimensioned tolerances:

Pitch range in mm			Nominal dimension range in mm						-	∩	□
TO	Over	TO	TO	Over	Over	Over	Over	0.1/10			
6	6 TO 10	10 TO 24	30	30 TO 60	60 TO 100	100 TO 150	150				
±0.15	±0.20	±0.30	±0.30	±0.50	±0.70	±1.00	±1.30	±2'			

5.RoHS Compliance



## Ordering Information

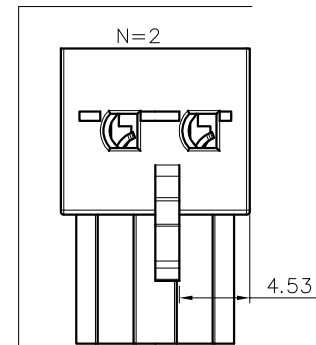
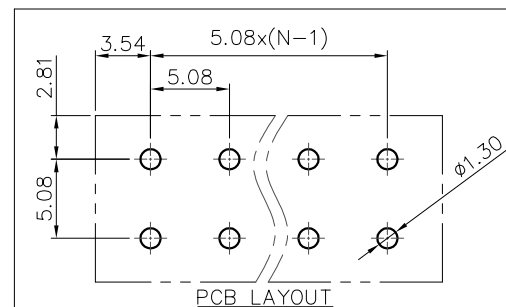
**JL2EDGA - 508 XX G 0 1**

Pitch  
508=5.08PH

No.of pins  
2P,3P,4P~12P

Housing Color  
 B=Black  
 G=Green  
 U=Blue  
 R=Red  
 W=White  
 Y=Yellow  
 □=Orange  
 E=Grey

Packing  
 0=Pe bag  
 T=Tube  
 A=Tray



2	Clamp	Copper alloy	Sn Plated
1	Housing	PA66	UL94V-0
ITEM	NAME OF PART	MATERIAL	NOTES

DRAW	SHUANGPING ZHENG	SCALE	FIT
CHECK	LICHAD LIU	UNIT	mm
APPROVE	YONGLIANG GAO	SIZE	A4
		SHEET	1/1
		PROJ.	

**JILN** 东莞市锦凌电子有限公司  
 DONGGUAN JINLING ELECTRONIC CO.,LTD

PART NO. JL2EDGA-508XXG01

TITLE: JL2EDGA-5.08-XXP插拔式母座/弯脚/绿色