



TAI-SAW TECHNOLOGY CO., LTD.

No. 3, Industrial 2nd Rd., Ping-Chen Industrial District,
Taoyuan, 324, Taiwan, R.O.C.

TEL: 886-3-4690038 FAX: 886-3-4697532

E-mail: tstsales@mail.taisaw.com Web: www.taisaw.com

Approval Sheet For Product Specification

Issued Date:

Product Name: SAW Filter 1300MHz SMD 3.0×3.0mm

TST Parts No.:TA0536A

Customer Parts No.:_____

Company: _____
Division: _____
Approved by : _____
Date: _____

Checked by: _____ Elvis Chiu

Approval by: _____ Francis Chen

Date: _____ 2005/01/11



TAI-SAW TECHNOLOGY CO., LTD.

No. 3, Industrial 2nd Rd., Ping-Chen Industrial District,
Taoyuan, 324, Taiwan, R.O.C.

TEL: 886-3-4690038 FAX: 886-3-4697532

E-mail: tstsales@mail.taisaw.com Web: www.taisaw.com

SAW Filter 1300 MHz

MODEL NO.: TA0536A

REV. NO.:1

A. MAXIMUM RATING:

1. Input Power Level: 10 dB_m
2. DC voltage: 3 V
3. Operating Temperature: -40°C to 85°C
4. Storage Temperature: -40°C to +85°C

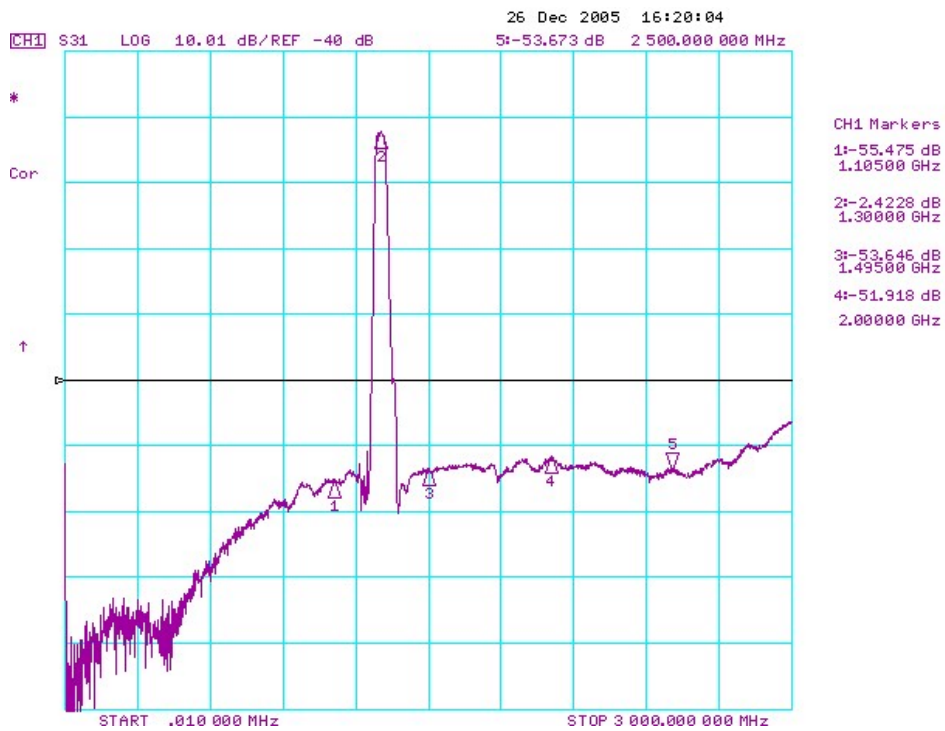
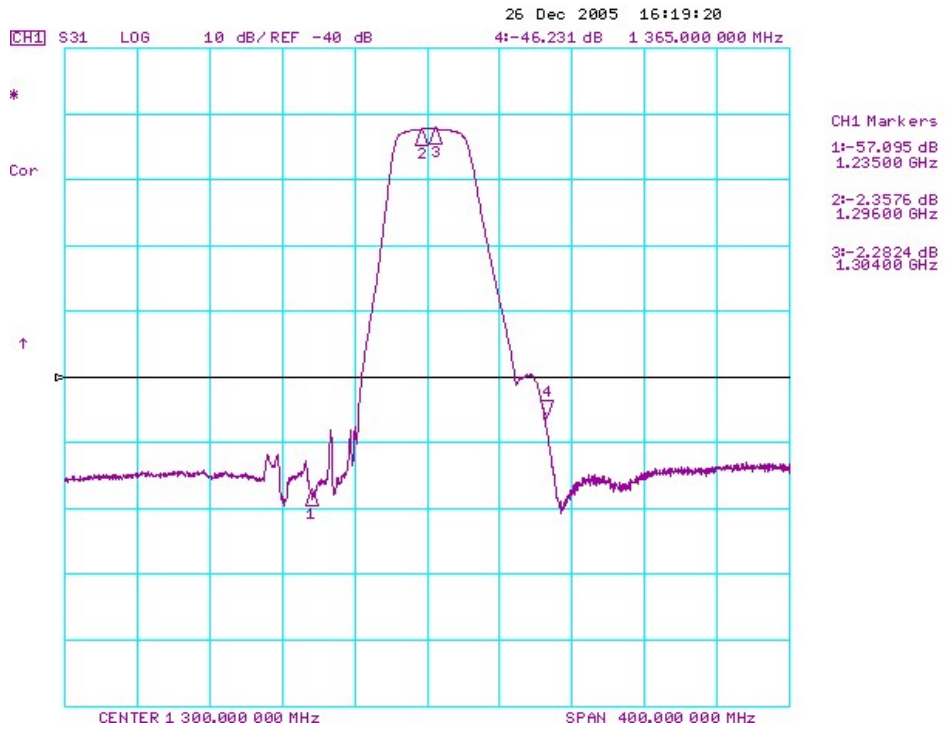
RoHS Compliant
Lead free
Lead-free soldering

B. CHARACTERISTICS:

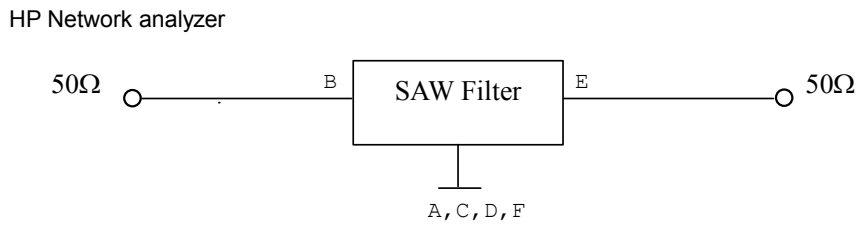
Item	Unit	Min.	Typ.	Max.
Center Frequency	MHz	-	1300	-
Insertion Loss 1296 ~ 1304 MHz	dB	-	2.4	4.5
Ripple 1296 ~ 1304 MHz	dB	-	0.2	1.6
Attenuation(Reference level from IL _{min})				
5 ~ 1105 MHz	dB	40	52	-
1105 ~ 1235 MHz	dB	33	47	-
1365 ~ 1495 MHz	dB	22	42	-
1495 ~ 2000 MHz	dB	30	49	-
2000 ~ 2500 MHz	dB	24	47	-
Source Impedance	Ω	-	50	-
Load Impedance	Ω	-	50	-

Note1. No matching network required for operation at 50Ω.

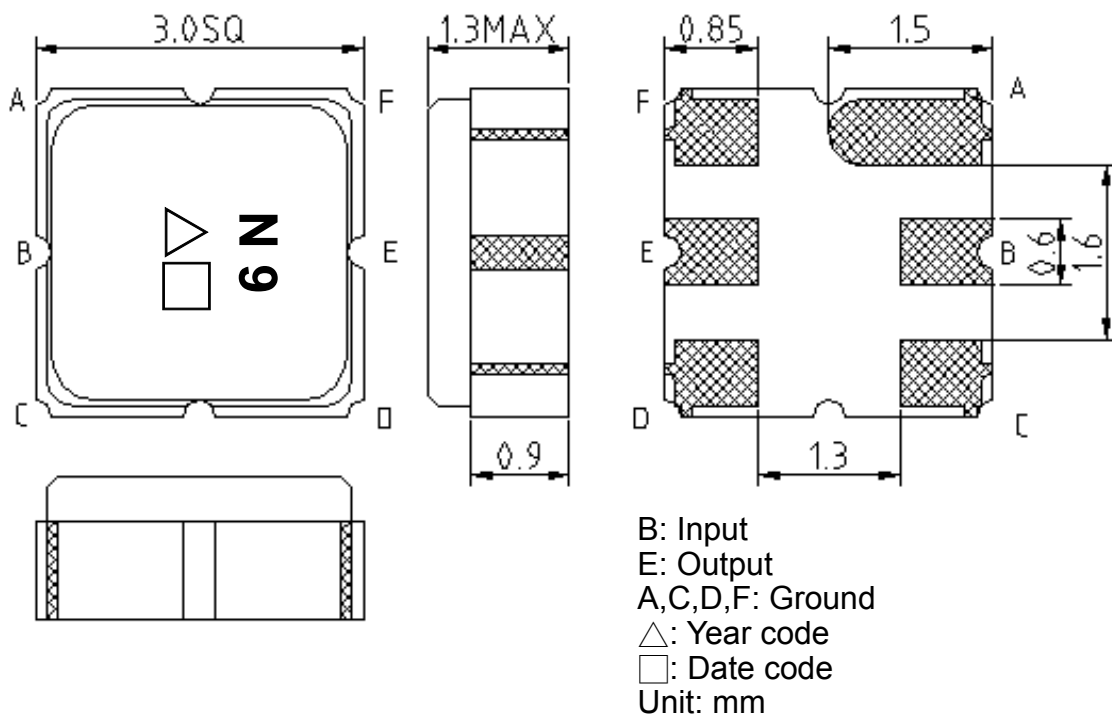
C. TRANSFER FUNCTION :



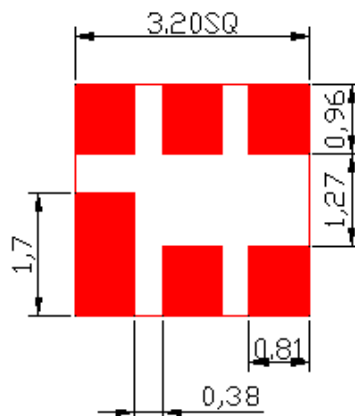
D. MEASUREMENT CIRCUIT:



E. OUTLINE DRAWING:

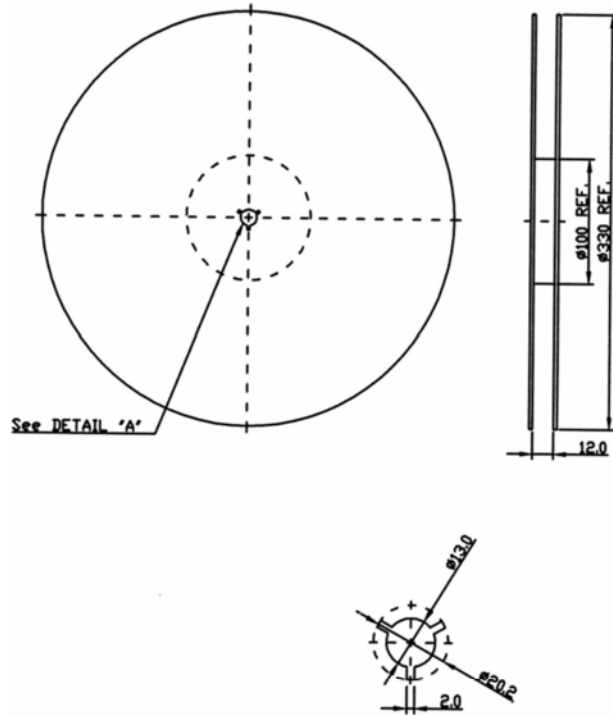


F. PCB FOOTPRINT:



G. PACKING:

1. REEL DIMENSION



2. TAPE DIMENSION

