

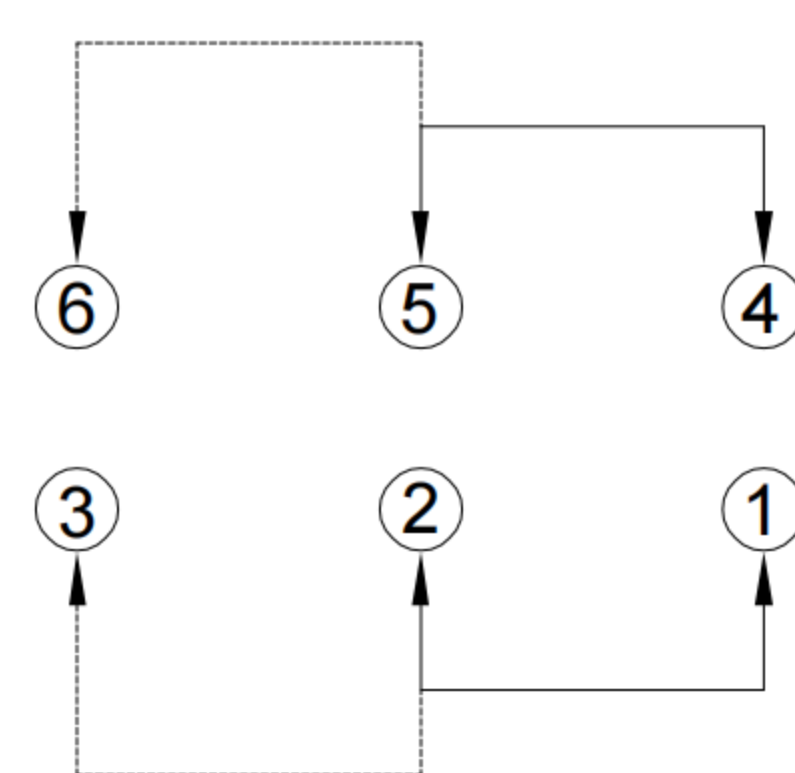
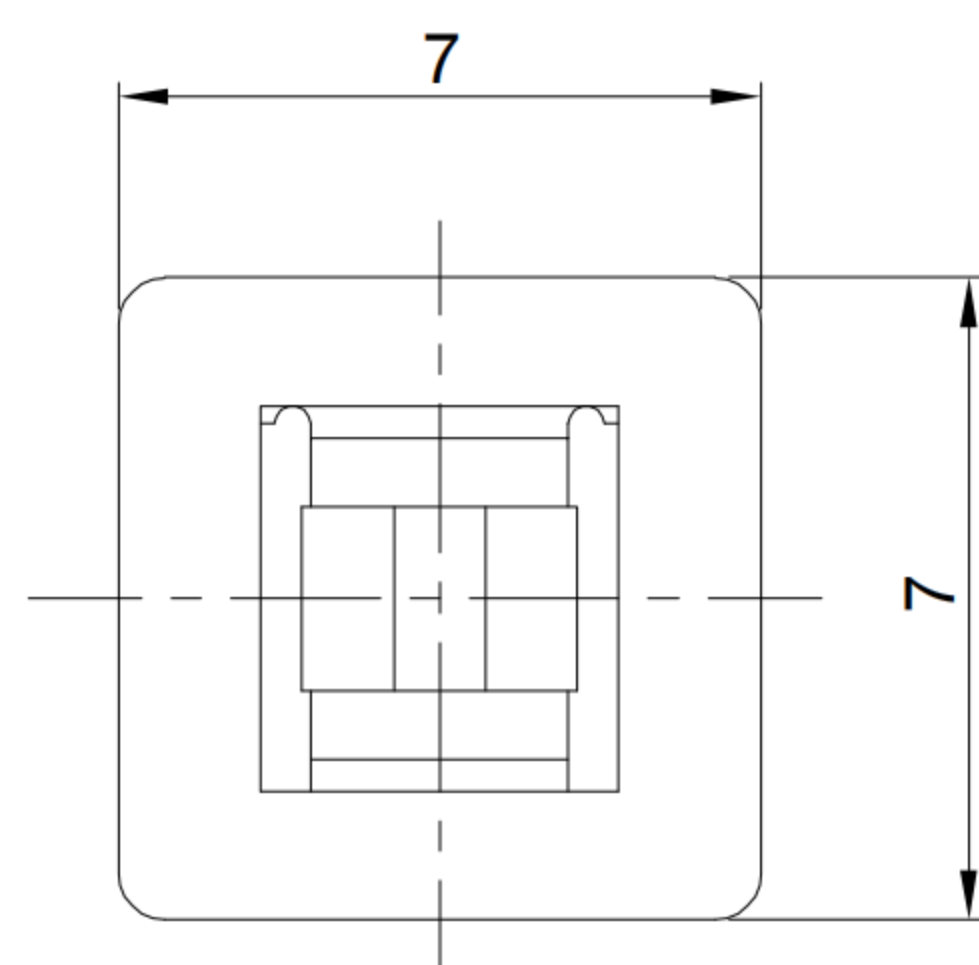
A

B

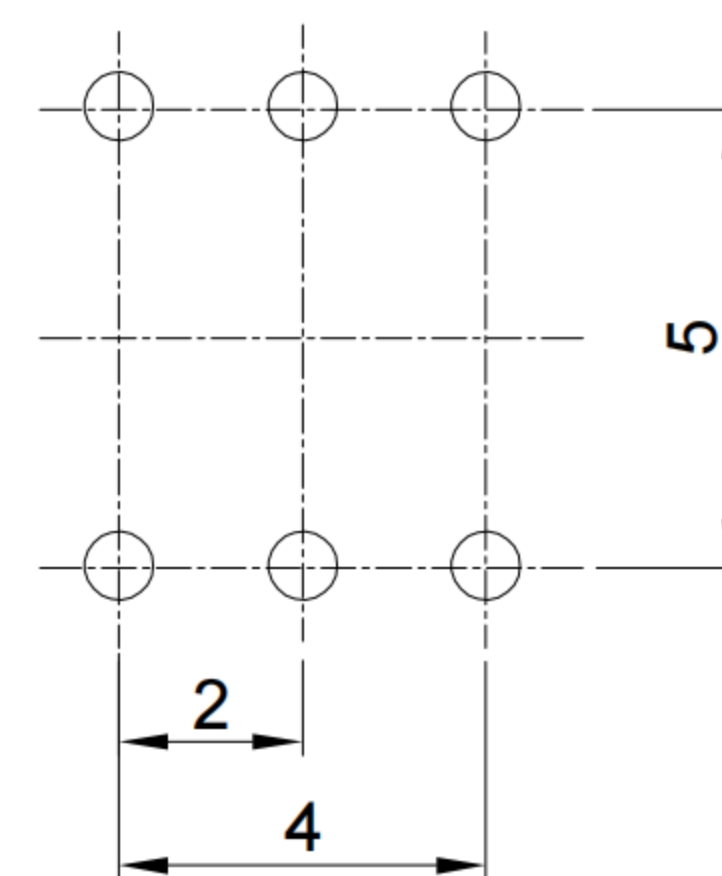
C

D

E



CIRCUIT DIAGRAM

RECOMMENDED PCB LAYOUT
TOLERANCE:±0.05

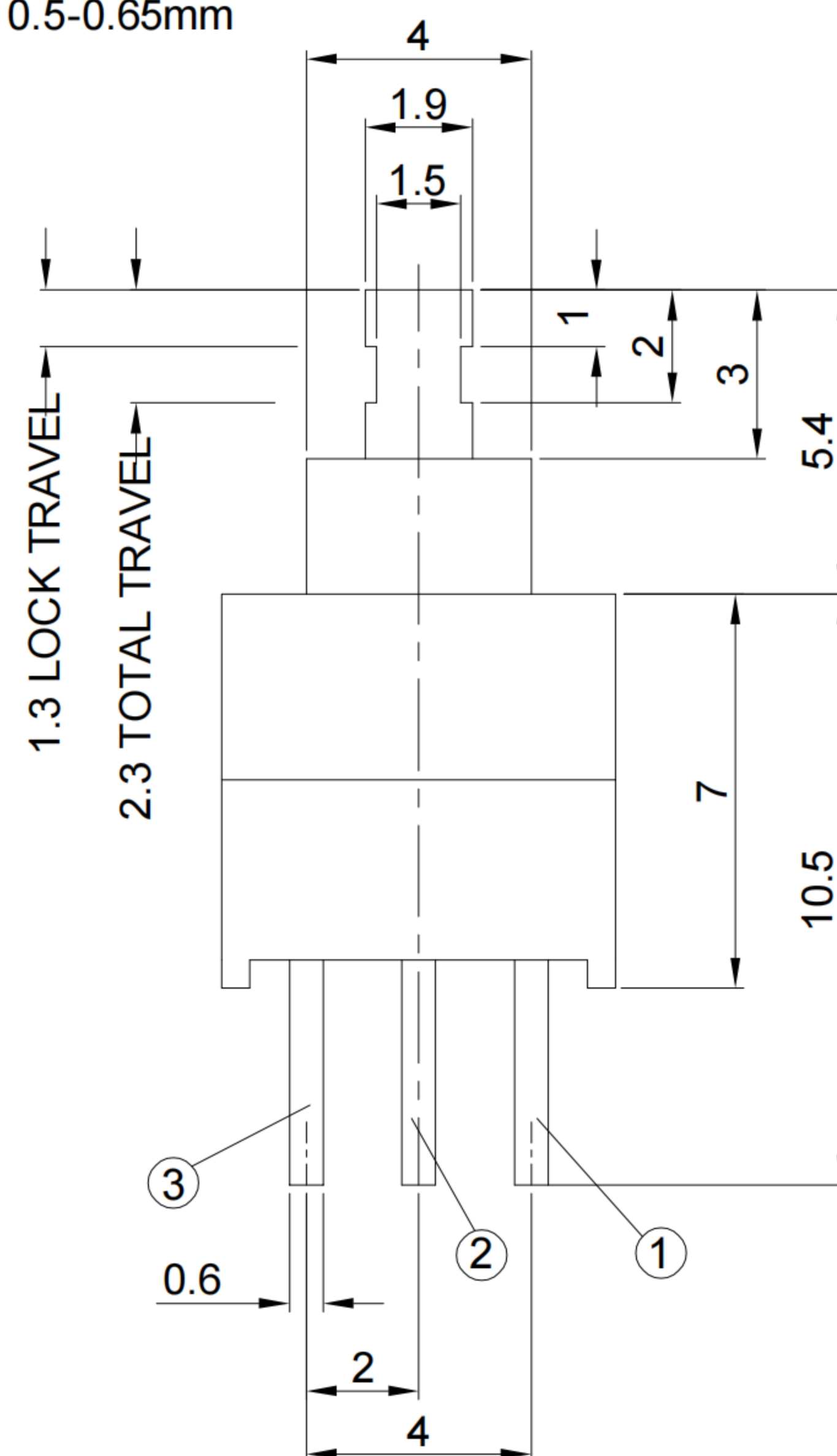
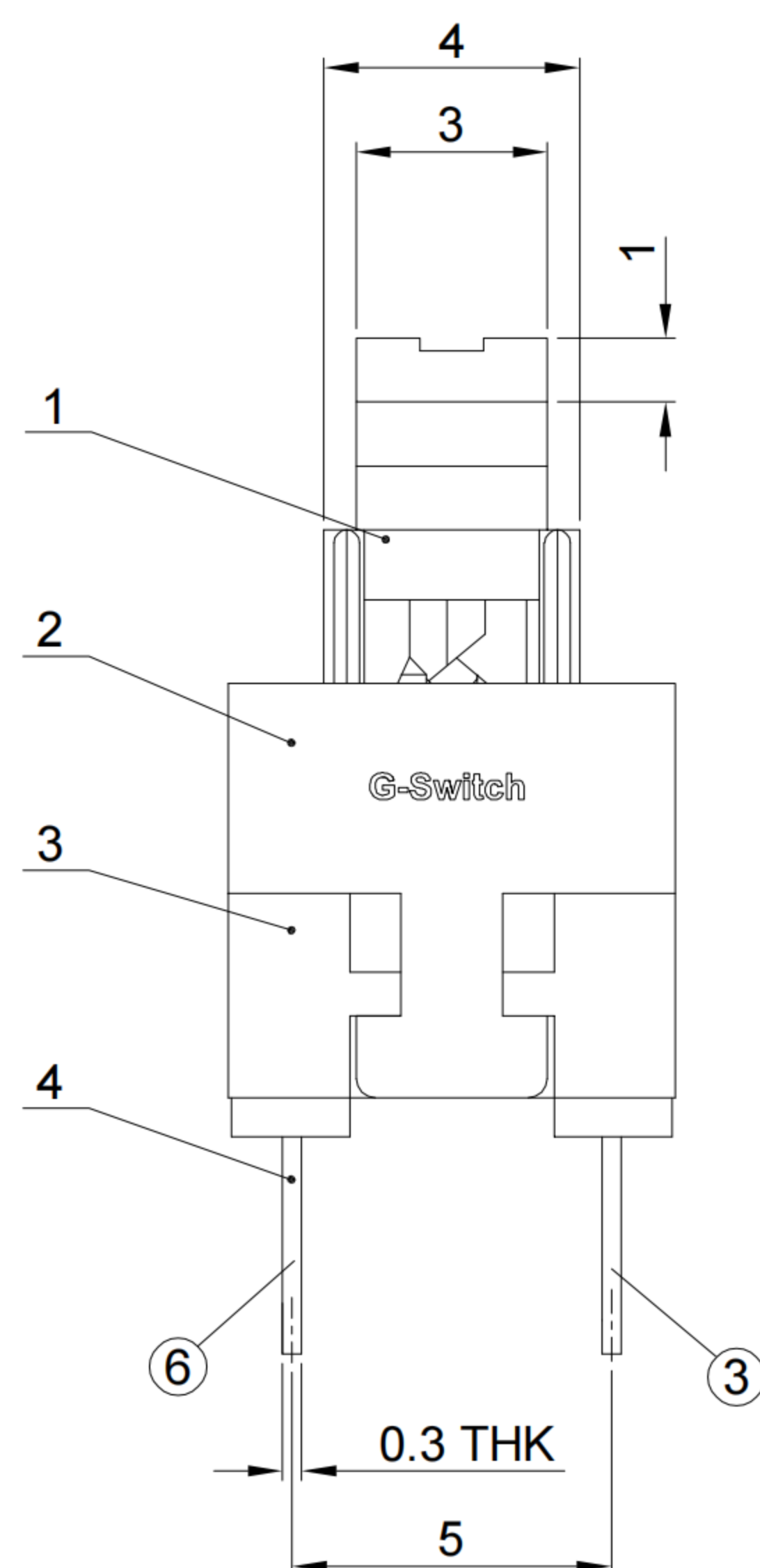
PS-70 54 D V X-6P L 01

Push Switch

Switch Type
70=7.0×7.0mmSwitch Height
54=5.4mmFoot Type
D=DIP01=Through-hole
refluxSwitch Function
N=No Lock
L=LockFoot Position
6P=6pinOperating Force
A=180gf
B=250gf
D=400gfType
V=Vertical

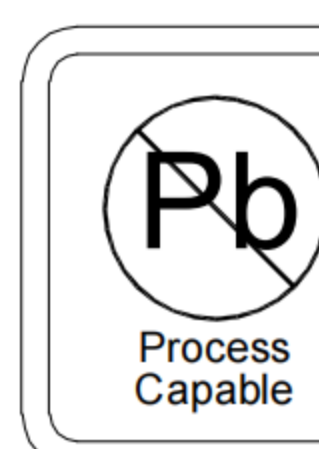
PUSH-ON:
2-3,5-6 Conduction
Contact Travel: 1.0-1.15mm

PUSH-OFF:
1-2,4-5 Conduction
Contact Travel: 0.5-0.65mm

1.3 LOCK TRAVEL
2.3 TOTAL TRAVEL**G-Switch Specification:**

1. Operating temperature range: -40°C ~ +85°C
2. Rating: 0.1A.30V DC
3. Insulation resistance: 100MΩ min.100V DC
4. Dielectric strength: 500V AC for 1 min
5. Contact resistance: 100mΩ max.
6. Poles-Throws: 2P2T
7. Switch lifetime: 10,000Cycles

NO.	PART NAME	MATERIAL	REMARK
6	CAM STICK	SUS	NATURAL
5	SPRING	SUS	NATURAL
4	TERMINAL	BRASS STRIP	Ag PIATED
3	CASE	NYLON PPA	BLACK
2	COVER	NYLON PPA	BLACK
1	KNOB	NYLON PPA	BLACK/Ag CLAD



RoHS
Compliant
EU RoHS Standards



SCALE: 1:1 UNIT: mm

SIZE: A4

Title: Vertical Push Switch
DIP 7.0×7.0×12.4mm

Molde Code: PS-7054DVX-6PL01

Unless otherwise
General Tolerance:

≥10	±0.30
1.5-10	±0.20
≤1.5	±0.10

DRAWN CHECKED APPROVED DATE

Xia Chen Chen 2023.02.01

品赞科技®
b-Switch
www.dg-switch.com

REV: A0 SHEET: 1/1