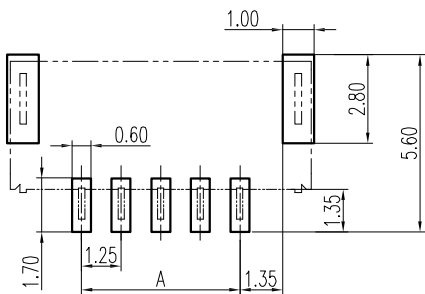
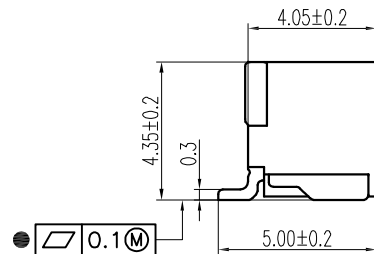


A-A



PCB LAYOUT

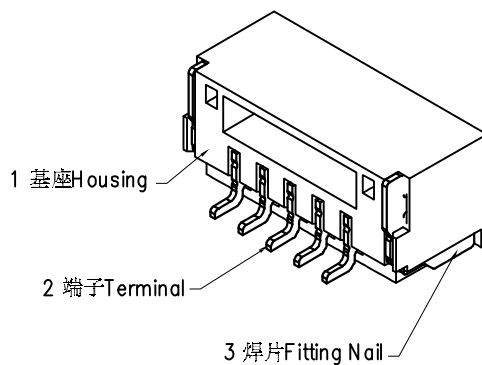


表2 Table 2

序号 No.	产品料号 PARTS NO.	名称 Part Name	材料 Material	数量 Qty	备注 Remark
3	THD003HP	焊片 Fitting Nail	磷铜 Phosphor copper	2	镀锡 Tin-plated
2	THD002TM	端子 Terminal	磷铜 Phosphor copper	N	镀锡 Tin-plated
1	THD001HS	基座 Housing	LCP UL94-V0	1	本色 Natural color

技术要求 Notes:

- 外观质量 Appearance quality:
 - 金属表面镀层不能有明显损伤; Coating on metal surface can not be damaged obviously;
 - 塑壳表面不能有明显的变形或开裂; No obvious deformation or cracking can be observed on the surface of the Housing;
 - 产品表面应保持干净; Product surface should be kept clean;
- 工作温度 Working temperature: $-25^{\circ}\text{C} \sim +85^{\circ}\text{C}$;
- 额定电压 Voltage Rating: Max 50V [AC (Effective value rms) DC];
- 额定电流 Current Rating: Max 1A [AC (Effective value rms) DC];
- 接触电阻 Contact resistance: Max 20 mW;
- 绝缘电阻 Insulation resistance: Min 100M W;
- 耐压 Withstanding voltage: 500V AC (50 Hz, Effective value; 1 min);
- 环保要求应符合 RoHS 标准
Environmental requirements should meet RoHS standards.

表1 Table 1

PIN 数 CKT NO.	DIM A	DIM B	备注 Remark
16	18.75	23.25	
15	17.50	22.00	
14	16.25	20.75	
13	15.00	19.50	
12	13.75	18.25	
11	12.50	17.00	
10	11.25	15.75	
9	10.00	14.50	
8	8.75	13.25	
7	7.50	12.00	
6	6.25	10.75	
5	5.00	9.50	
4	3.75	8.25	
3	2.50	7.00	
2	1.25	5.75	

CUSTOMER		深圳市臺華達科技有限公司 SHENZHENSHI THD TECHNOLOGY CO., LTD.	
GENERAL TOLERANCE UNLESS OTHERWISE SPECIFIED		DRAWN: Kavin 2016.12.23 CHECKED: 胡文 2016.12.23 APPROVED: 黄德进 2016.12.23	PART NO. THD1253-xxWR-SN
X.X ±0.20 X.XX ±0.15 X.XXX ±0.10 ANG. ±2°		SHEET: 1/1 UNIT: mm SCALE: 1:1 SIZE: A4	TITLE: 1.25间距wafer带扣
REV.	REVISIONS	CHK	DATE