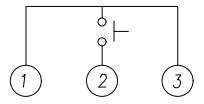
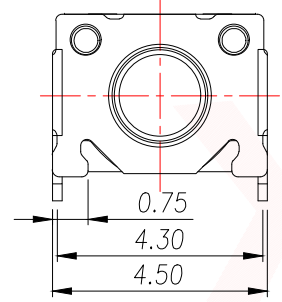
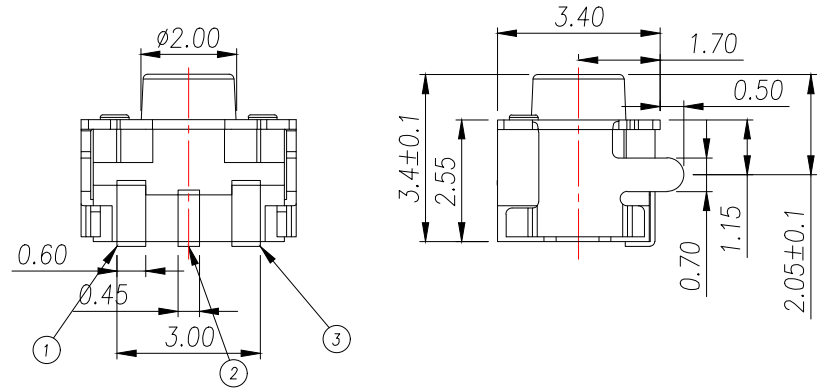
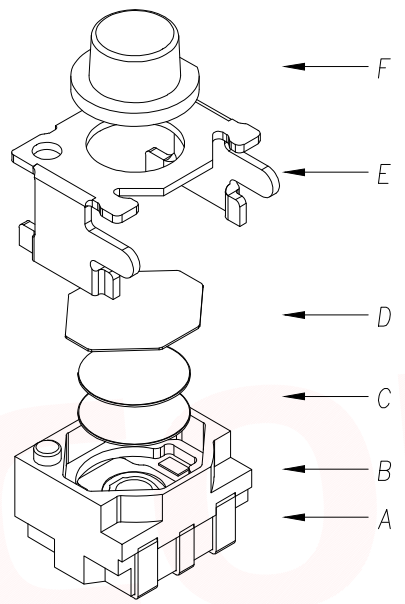
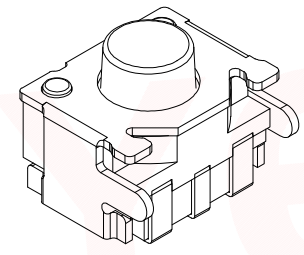
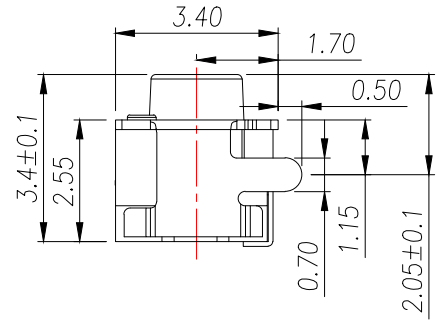


REV.	Q'TY	ECN. NO.	APR.	DATE



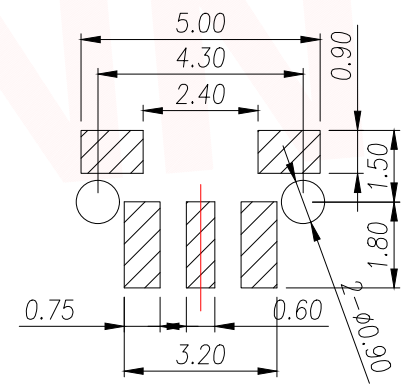
CIRCUIT DIAGRAM



E	防尘膜	聚酰亚胺	1	橙黄
E	按钮	LCP	1	米黄色
D	盖板	磷铜	1	镀银
C	弹片	不锈钢	1	镀银
B	本体	PPA	1	黑色
A	卡件	磷铜	1	镀银
ITEM	DESCRIPTION	MATERIAL	QTY	FINSH/COLOR

The Main Thchnology Performance

Rate voltage,current	50mA DC12V
Contact resistance	≤100mΩ
Operating force	±30gf
Travel	0.20±0.10mm
Insulated resistance	≥100MΩ
Dielectric strength	>250VAC/1min



PCB.WELDING DRAWING

T S O 7 - T B W 1

力度: F: 250G E: 180G  
高度: H3.5

DIMENSION IN mm		厦门市辛译精密电子有限公司 Xiamen XinYi Xyconn Electronics Co.,Ltd	
TOLERANCE UNLESS OTHERWISE SPECIFIED		APR. Alex	TITLE: 4.5*3.4*3.5 SMD TACT SWITCH
.X±0.35	X.*± 5*	CHK. Jack	DWG NO. TS07-TBW1FH3.5
.XX±0.25	.X*± 3*	DRA. Can	PROJ.  CUSTOMER DRAWING
.XXX±0.15	.XX*± 1*	SIZE A4	SCALE 1:1 SHEET 1/1 REV. A