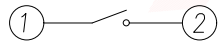
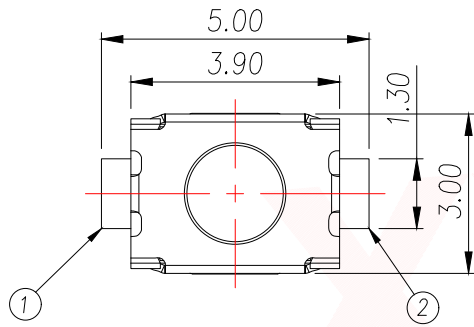
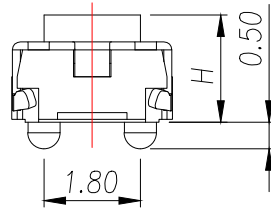
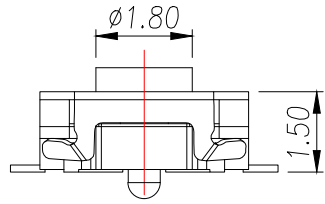
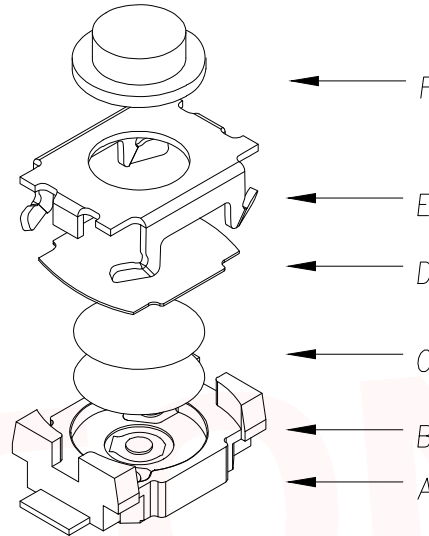
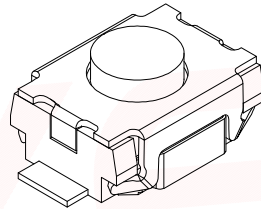


REV.	Q'TY	ECN. NO.	APR.	DATE



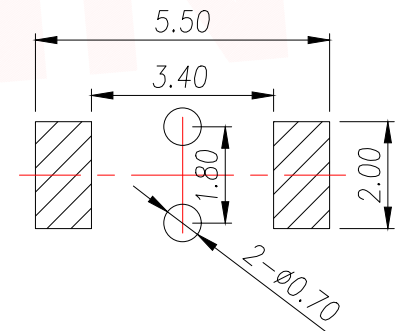
CIRCUIT DIAGRAM



ITEM	DESCRIPTION	MATERIAL	QTY	FINISH/COLOR
F	按钮	LCP	1	黑色
E	盖板	不锈钢	1	清洗
D	防尘胶	聚酰亚胺	1	橙黄色
C	弹片	不锈钢	2	镀银
B	本体	LCP	1	黑色
A	卡件	磷铜	1	镀银

The Main Thchnology Performance

Rate voltage.current	50mA DC12V
Contact resistance	≤100mΩ
Operating force	±30gf
Travel	0.20±0.10mm
Insulated resistance	>100MΩ
Dielectric strength	>250VAC/1min



PCB.WELDING DRAWING

T S O 5 - T D W 1

力度: 高度:  
 F: 250G H1.8  
 E: 180G H2.0  
           H2.5

DIMENSION IN mm		厦门市辛译精密电子有限公司 Xiamen XinYi Xyecomm Electronics Co.,Ltd	
TOLERANCE UNLESS OTHERWISE SPECIFIED			
.X±0.35	X.*± 5*	APR. Alex	TITLE: 3x6 SMD TACT SWITCH
.XX±0.25	.X.*± 3*	CHK. Jack	DWG NO. TS05-TDW1EHC
.XXX±0.15	.XX.*± 1*	DRA. Can	PROJ.  CUSTOMER DRAWING
		SIZE A4	SCALE 1:1
		SHEET 1/1	REV. A