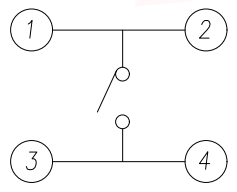
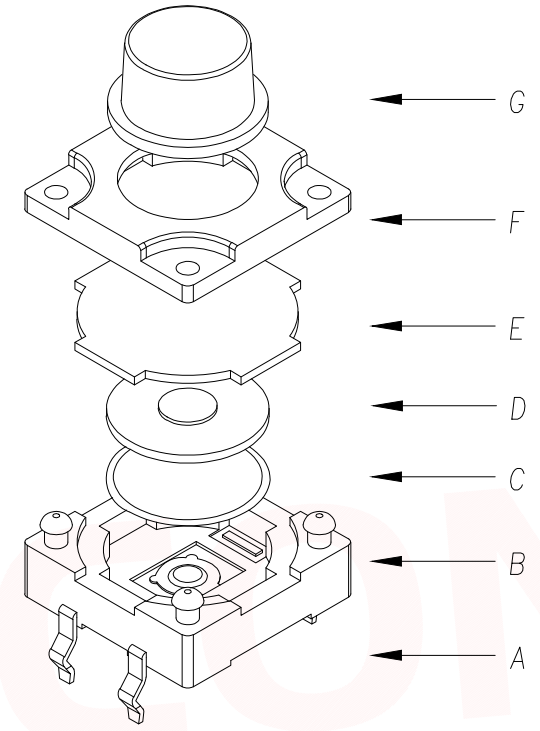
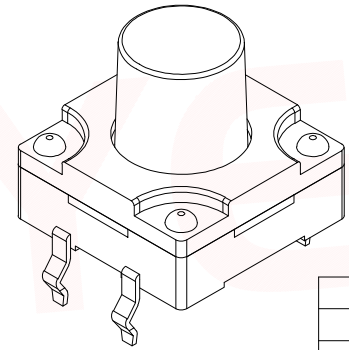


| | | | | |
|------|------|----------|------|------|
| REV. | Q'TY | ECN. NO. | APR. | DATE |
| | | | | |



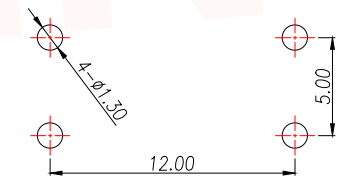
CIRCUIT DIAGRAM



| ITEM | DESCRIPTION | MATERIAL | QTY | FINISH/COLOR |
|------|-------------|----------|-----|--------------|
| G | 按钮 | PPA | 1 | 黑色 |
| F | 盖板 | PPA | 1 | 黑色 |
| E | 防尘膜 | 硅胶 | 1 | 黑色 |
| D | 内按 | PPA | 1 | 黑色 |
| C | 弹片 | 磷铜/不锈钢 | 1 | 镀镍 |
| B | 本体 | PPA | 1 | 黑色 |
| A | 卡件 | 黄铜 | 1 | 镀镍 |

The Main Thchnology Performance

| | |
|----------------------|--------------|
| Rate voltage,current | 50mA DC12V |
| Contact resistance | ≤100mΩ |
| Operating force | ±30gf |
| Travel | 0.30±0.10mm |
| Insulated resistance | >100MΩ |
| Dielectric strength | >250VAC/1min |
| IP rating | IP67 |



PCB.WELDING DRAWING

T S O 1 8 - C B Y 1

力度: F: 250G E: 180G
 高度: H4.3 H4.5

| H | H | H |
|-----|-----|------|
| 4.3 | 6.5 | 9.5 |
| 4.5 | 7.0 | 10.0 |
| 4.8 | 7.5 | 10.5 |
| 5.0 | 8.0 | 11.0 |
| 5.5 | 8.5 | 11.5 |
| 6.0 | 9.0 | 12.0 |

| DIMENSION IN mm | | TOLERANCE UNLESS OTHERWISE SPECIFIED | | 厦门市辛译精密电子有限公司 Xiamen XinYi Xyeconn Electronics Co.,Ltd | | | |
|-----------------|-----------|--------------------------------------|--------|---|--|------------------|--|
| .X±0.35 | X.*± 5* | APR. | Alex | TITLE: 12x12 DIP TACT SWITCH | | | |
| .XX±0.25 | .X*± 3* | CHK. | Jack | DWG NO. TS018-CBY1EHX | | | |
| .XXX±0.15 | .XX*± 1* | DRA. | Can | PROJ. | | CUSTOMER DRAWING | |
| SIZE A4 | SCALE 1:1 | SHEET 1/1 | REV. A | | | | |