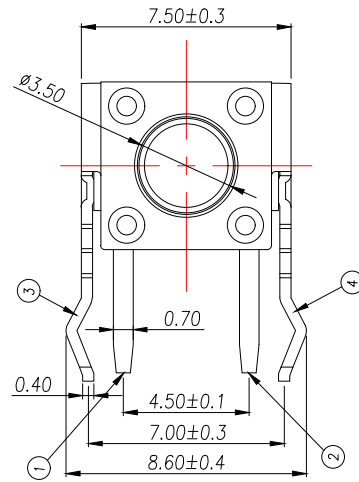
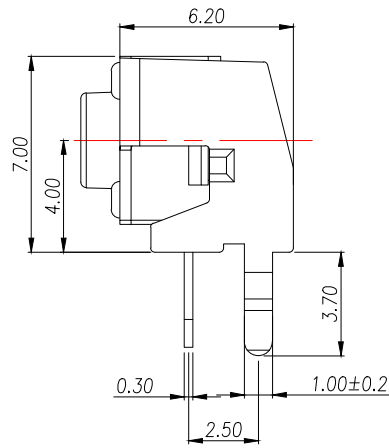
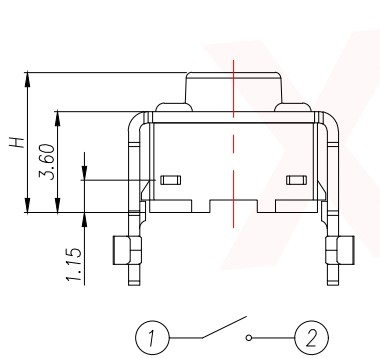


REV.	Q'TY	ECN. NO.	APR.	DATE



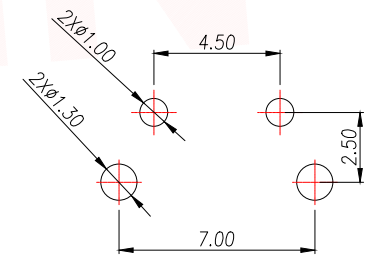
The Main Thchnology Performance

Rate voltage,current	50mA DC12V
Contact resistance	≤100mΩ
Operating force	±30gf
Travel	0.25±0.10mm
Insulated resistance	>100MΩ
Dielectric strength	>250VAC/1min



CIRCUIT DIAGRAM

E	按钮	PPA	1	黑色
D	盖板	铁盖板	1	镀铜锡
C	弹片	不锈钢	1	镀银
B	本体	PPA	1	黑色
A	卡件	黄铜	1	镀银
ITEM	DESCRIPTION	MATERIAL	QTY	FINSH/COLOR



PCB.WELDING DRAWING

T S O 1 3 - C B W O

力度: F: 250G E: 180G
高度: H4.3 H4.5

H	H	H
4.3	6.5	9.0
4.5	7.0	9.5
5.0	7.5	10.0
5.5	8.0	
6.0	8.5	

DIMENSION IN mm		APR. Alex		TITLE: 6x6 DIP TACT SWITCH	
TOLERANCE UNLESS OTHERWISE SPECIFIED		CHK. Jack		DWG NO. TS013-CBWFHX	
.X±0.35	X.*± 5°	DRA. Can		PROJECT: CUSTOMER DRAWING	
.XX±0.25	.X.*± 3°	SIZE A4		SCALE 1:1	SHEET 1/1
.XXX±0.15	.XX.*± 1°	REV. A		F-RD-18A	

厦门市辛译精密电子有限公司
Xiamen XinYi Xyecomm Electronics Co.,Ltd