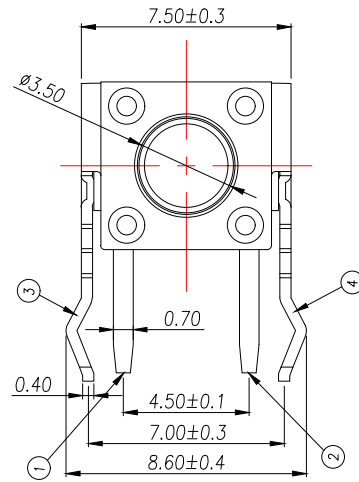
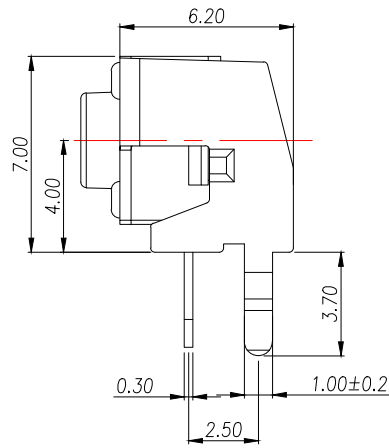
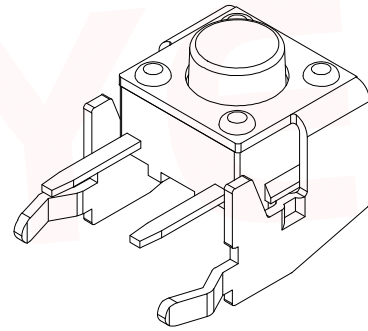
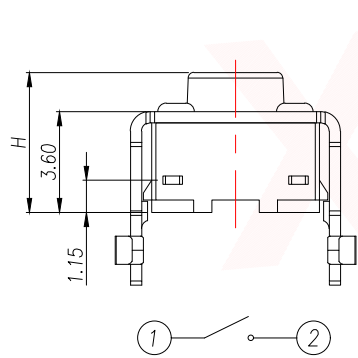


|      |      |          |      |      |
|------|------|----------|------|------|
| REV. | Q'TY | ECN. NO. | APR. | DATE |
|      |      |          |      |      |

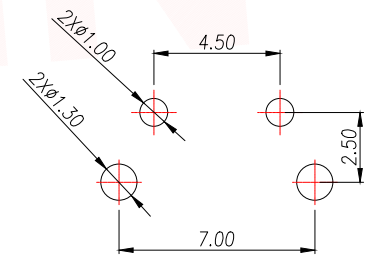


The Main Thchnology Performance

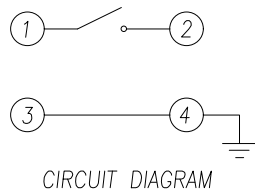
|                      |              |
|----------------------|--------------|
| Rate voltage,current | 50mA DC12V   |
| Contact resistance   | ≤100mΩ       |
| Operating force      | ±30gf        |
| Travel               | 0.25±0.10mm  |
| Insulated resistance | >100MΩ       |
| Dielectric strength  | >250VAC/1min |



|      |             |          |     |             |
|------|-------------|----------|-----|-------------|
| E    | 按钮          | PPA      | 1   | 黑色          |
| D    | 盖板          | 铁盖板      | 1   | 镀铜锡         |
| C    | 弹片          | 不锈钢      | 1   | 镀银          |
| B    | 本体          | PPA      | 1   | 黑色          |
| A    | 卡件          | 黄铜       | 1   | 镀银          |
| ITEM | DESCRIPTION | MATERIAL | QTY | FINSH/COLOR |



PCB.WELDING DRAWING



T S O 1 3 - C B W O

力度: F: 250G E: 180G  
高度: H4.3 H4.5  
.....

|     |     |      |
|-----|-----|------|
| H   | H   | H    |
| 4.3 | 6.5 | 9.0  |
| 4.5 | 7.0 | 9.5  |
| 5.0 | 7.5 | 10.0 |
| 5.5 | 8.0 |      |
| 6.0 | 8.5 |      |

|                                      |          |           |  |                            |           |
|--------------------------------------|----------|-----------|--|----------------------------|-----------|
| DIMENSION IN mm                      |          | APR. Alex |  | TITLE: 6x6 DIP TACT SWITCH |           |
| TOLERANCE UNLESS OTHERWISE SPECIFIED |          | CHK. Jack |  | DWG NO. TS013-CBWFHX       |           |
| .X±0.35                              | X.*± 5°  | DRA. Can  |  | PROJECTOR CUSTOMER DRAWING |           |
| .XX±0.25                             | .X*± 3°  | SIZE A4   |  | SCALE 1:1                  | SHEET 1/1 |
| .XXX±0.15                            | .XX*± 1° | REV. A    |  | F-RD-18A                   |           |

厦门市辛译精密电子有限公司  
Xiamen XinYi Xyecomm Electronics Co.,Ltd