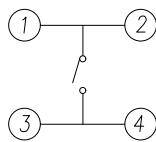
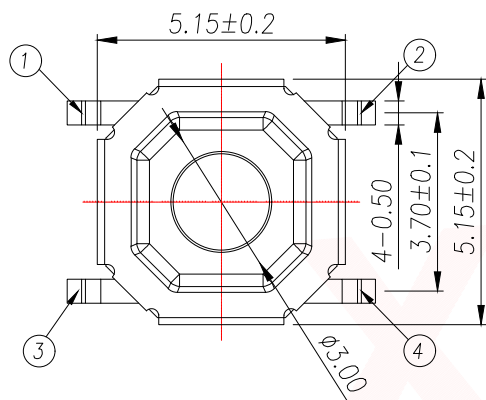
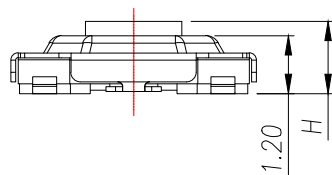
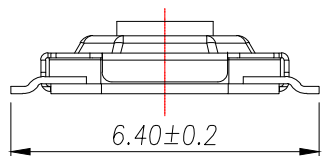
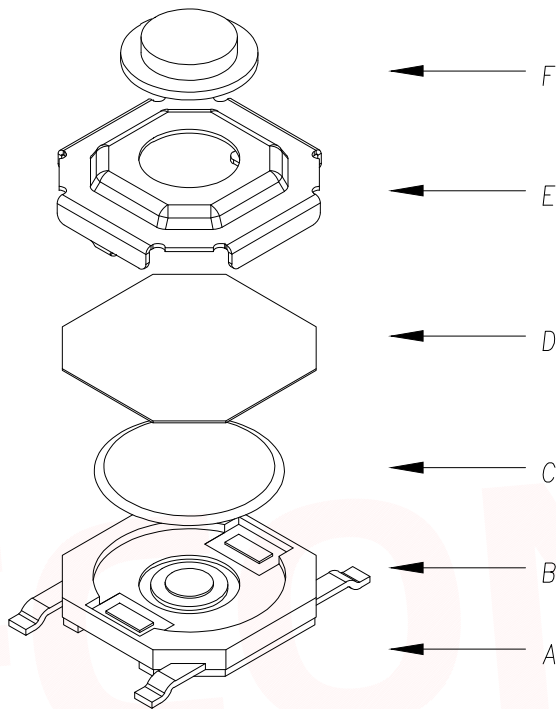


REV.	Q'TY	ECN. NO.	APR.	DATE

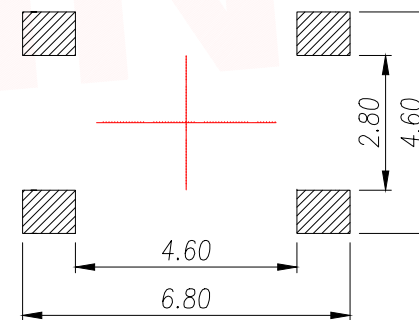


CIRCUIT DIAGRAM



The Main Thchnology Performance

Rate voltage,current	50mA DC12V
Contact resistance	≤100mΩ
Operating force	±30gf
Travel	0.20±0.10mm
Insulated resistance	>100MΩ
Dielectric strength	>250VAC/1min



PCB.WELDING DRAWING

ITEM	DESCRIPTION	MATERIAL	QTY	FINISH/COLOR
E	按钮	黄铜	1	酸洗
D	盖板	不锈钢	1	清洗
C	防尘膜	聚酰亚胺	1	橙黄色
B	弹片	不锈钢	1	镀银
A	卡件	黄铜	1	镀银

T S O 1 1 - T B W 1

力度: F: 250G  
E: 180G  
高度: H1.5  
H1.6  
.....

H	H	H
1.5	2.0	4.0
1.6	2.5	4.5
1.7	3.0	5.0
1.8	3.5	5.5

DIMENSION IN mm		厦门市辛译精密电子有限公司 Xiamen XinYi Xyconn Electronics Co.,Ltd	
TOLERANCE UNLESS OTHERWISE SPECIFIED			
.X±0.35	X.*± 5'	APR. Alex	TITLE: 4x4 SMD TACT SWITCH
.XX±0.25	.X.*± 3'	CHK. Jack	DWG NO. TS011-TBW1EHX
.XXX±0.15	.XX.*± 1'	DRA. Can	PROJ.  CUSTOMER DRAWING
SIZE A4	SCALE 1:1	SHEET 1/1	REV. A