

## Order Placement Recommendations and Considerations

The Products and Specifications listed in this document are subject to change (including specifications, manufacturing facility and discontinuing the Products) as occasioned by the improvements of Products. Consequently, when you review the mass-production design for the Products listed or when you place orders for these Products, Panasonic Corporation asks you to contact one of our customer service representatives and check that the details listed in the document are commensurate with the most up-to-date information.

### [Safety precautions]

Panasonic Corporation is consistently striving to improve quality and reliability. However, the fact remains that electrical components and devices generally cause failures at a given statistical probability. Furthermore, their durability varies with use environments or use conditions. In this respect, please check for actual electrical components and devices under actual conditions before use. Continued usage in a state of degraded condition may cause the deteriorated insulation, thus result in abnormal heat, smoke or firing. Please carry out safety design and periodic maintenance including redundancy design, design for fire spread prevention, and design for malfunction prevention so that no accidents resulting in injury or death, fire accidents, or social damage will be caused as a result of failure of the Products or ending life of the Products.

As scope of warranty changes in accordance with your application, quality standards of Products fall into the following three categories depending on the applications of the products: Reference Standards, Special Standards, and Specified Standards that meet the quality assurance program designated by the customer. These quality standards have been established so that our products will be used for the applications listed below.

Reference Standards: Computers, office automation equipment, communications equipment, audio-video products, home electrical appliances, machine tools, personal devices, industrial robots

Special Standards: Transportation equipment (automobiles, trains, ships, etc.), traffic signal equipment, crime and disaster prevention devices, electric power equipment, various safety devices, and medical equipment not directly targeted for life support

Specified Standards: Aircraft equipment, aeronautical and space equipment, seabed relay equipment, nuclear power control systems, and medical equipment, devices and systems for life support

In the case that your usage is under the following conditions without exchanging the new specifications, Panasonic Corporation shall not warrant the quality of the Products. Panasonic Corporation asks you to contact one of our customer service representatives before exchange written in specifications.

- (1) When our products are to be used in any of the applications listed for the Special Standards or Specified Standards
- (2) When, even for any of the applications listed for the Reference Standards, our products may possibly be used beyond the range of the specifications, environment or conditions listed in the document or when you are considering the use of our products in any conditions or an environment that is not listed in the document
- (3) When you change to other equipment that have different usage condition after exchange the specifications in the usage above condition (1).

[Acceptance inspection]

In connection with the products you have purchased from us or with the products delivered to your premises, please perform an acceptance inspection with all due speed and, in connection with the handling of our products both before and during the acceptance inspection, please give full consideration to the control and preservation of our products.

[Warranty period]

Unless otherwise stipulated by both parties, the warranty period of our products is one year after their purchase by you or after their delivery to the location specified by you.

[Scope of warranty]

In the event that Panasonic Corporation confirms any failures or defects of the Products by reasons solely attributable to Panasonic Corporation during the warranty period, Panasonic Corporation shall supply the replacements of the Products, parts or replace and/or repair the defective portion by free of charge at the location where the Products were purchased or delivered to your premises as soon as possible.

However, the following failures and defects are not covered by the warranty:

- (1) When the failure or defect was caused by a specification, standard, handling method, etc. which was specified by you
- (2) When the failure or defect was caused after purchase or delivery to your premises by an alteration in construction, performance, specification, etc. which did not involve us
- (3) When the failure or defect was caused by a phenomenon that could not be predicted by the technology at purchasing or contracted time
- (4) When the use of our Products deviated from the scope of the conditions and environment set forth in the catalog and specifications
- (5) When, after our Products were incorporated into your Products or equipment for use, damage resulted which could have been avoided if your Products or equipment had been equipped with the functions, construction, etc. the provision of which is accepted practice in the industry
- (6) When the failure or defect was caused by a natural disaster or other force majeure

The terms and conditions of the warranty set forth in this Order Placement Recommendations and Consideration shall apply to the Products purchased or delivered to your premises. And the above terms and conditions shall not cover any induced damages by the failure or defects of the Products.

Panasonic Corporation  
Electromechanical Control Business Division

<h1>SPECIFICATIONS</h1>	NARROW-PITCH CONNECTORS	
	AXK5F00007YG/AXK6F00007YG	
	Page ; 1 / 11	

1. Name : Narrow-pitch connectors

2. Type : P5KF series (Terminal spacing 0.5 mm 2 rows)  
Stacking height 1.5, 2.0, 2.5 mm  
Socket : Contact with both-ends chamfered , Header : Post with V notch

3. Part No.

3-1) Part No.                      Socket : AXK5F00007YG  
Header : AXK6F00007YG

3-2) Product drawing          Socket : AXK5F20337Y, AXK5F20537Y (With positioning projections)  
: AXK5F20347Y, AXK5F20547Y (No positioning projections)  
Header : AXK6F20337Y, AXK6F20537Y (With positioning projections)  
: AXK6F20347Y, AXK6F20547Y (No positioning projections)

Recommended metal mask pattern Socket : AXK5F-SM-001  
Header : AXK6F-SM-001

Package drawing                Socket : AXK5F20347YG (Embossed packaging)  
Header : AXK6F20347YG (Embossed packaging)  
( Package drawing is commonly used for products  
no positioning projections and with positioning projections. )

		DATE : Jan. 28, 2016		
Panasonic Corporation	Drawn by <i>M. Kadowaki</i>	Reviewed by _____		
	Checked by <i>Y. Inaba</i>	Approved by <i>K. Motomura</i>		

# S P E C I F I C A T I O N S

NARROW-PITCH CONNECTORS

AXK5F00007YG/AXK6F00007YG

Page ; 2 / 11

3-3) Ordering information

AXKOO    OO    O    O    7    Y    G

- 5 F : P5KF series socket
- 6 F : P5KF series header

- Number of contacts (2 digits)  
 10:10 contacts 12:12 contacts 14:14 contacts 16:16 contacts 18:18 contacts  
 20:20 contacts 22:22 contacts 24:24 contacts 26:26 contacts 30:30 contacts  
 32:32 contacts 34:34 contacts 40:40 contacts 50:50 contacts 60:60 contacts  
 70:70 contacts 80:80 contacts 00:100 contacts

- Stacking height

Socket

- 3 : 1.5 mm
- 5 : 2.0, 2.5 mm

Header

- 3 : 1.5, 2.0 mm
- 5 : 2.5 mm

- Function

- 3 : With positioning projections
- 4 : No positioning projections

- Plating (contact/terminal)

- 7 : Au / Au + Ni barrier

- Form of contact portion

Socket

- Y : Contact with both-ends chamfered

Header

- Y : Post with V notch

- Package

- G : Embossed packaging ( Reel : Plastic  
 Packing quantity : 2000 pcs/reel, 2 reels/carton )

Note 1) Refer to product drawing about variety of stacking height and contacts number.

- 4. Material : Molded portion : Heat resistant plastic (UL 94V-0), Natural color  
 : Contact / Post : Copper Alloy

- 5. Plating : Contact / Post : Contact portion : Au plating over nickel (Min. 0.1 μm)  
 : Terminal portion : Au plating over nickel  
 (except for top of the terminal)

DATE : Jan. 28, 2016

Panasonic Corporation

# S P E C I F I C A T I O N S

NARROW-PITCH CONNECTORS

AXK5F00007YG/AXK6F00007YG

Page ; 3 / 11

## 6. Characteristics

The followings show specifications, when mated with Socket and Header.

Item	Specification	Test condition															
6-1. Electrical characteristics																	
1) Rated current	Each pin ; Max. 0.5 A All pins can carry ; Max. 10 A																
2) Rated voltage	AC, DC 60 V																
3) Insulation resistance	Min. 1000 MΩ (Initial stage)	Using 500 V DC megger (1 min)															
4) Dielectric strength	150 V AC for 1 minute	Detection current : 1 mA															
5) Contact resistance	Max. 90 mΩ	According to the method of JIS C 5402															
6-2. Mechanical characteristics																	
1) Composite insertion force	Max. 0.981 N/ contact× Number of contacts. (Initial stage)																
2) Composite removal force	Min. 0.0588 N/ contact× Number of contacts.																
3) Contact and Post holding force	Min. 0.981 N/contact.	Measuring the maximum force. As the contact and post are axially pull out.															
6-3. Environmental characteristics																	
1) Ambient temperature	-55 °C ~ +85 °C	No icing or condensation															
2) Storage temperature	-55°C ~ +85°C (Products only) -40°C ~ +50°C (Packaging structure)	No icing or condensation															
3) Thermal shock resistance (Header and socket mated)	After 5 cycles Contact resistance Max. 90 mΩ Insulation resistance Min. 100 MΩ	Conformed to MIL-STD-202F, method 107G															
		<table border="1" style="width: 100%; border-collapse: collapse; text-align: center;"> <thead> <tr> <th style="width: 15%;">Order</th> <th style="width: 45%;">Temperature (°C)</th> <th style="width: 40%;">Time (minutes)</th> </tr> </thead> <tbody> <tr> <td>1</td> <td>-55 <sup>0</sup>/<sub>-3</sub></td> <td>30</td> </tr> <tr> <td>2</td> <td>25 <sup>+10</sup>/<sub>-5</sub></td> <td>Max. 5</td> </tr> <tr> <td>3</td> <td>85 <sup>+3</sup>/<sub>0</sub></td> <td>30</td> </tr> <tr> <td>4</td> <td>25 <sup>+10</sup>/<sub>-5</sub></td> <td>Max. 5</td> </tr> </tbody> </table>	Order	Temperature (°C)	Time (minutes)	1	-55 <sup>0</sup> / <sub>-3</sub>	30	2	25 <sup>+10</sup> / <sub>-5</sub>	Max. 5	3	85 <sup>+3</sup> / <sub>0</sub>	30	4	25 <sup>+10</sup> / <sub>-5</sub>	Max. 5
Order	Temperature (°C)	Time (minutes)															
1	-55 <sup>0</sup> / <sub>-3</sub>	30															
2	25 <sup>+10</sup> / <sub>-5</sub>	Max. 5															
3	85 <sup>+3</sup> / <sub>0</sub>	30															
4	25 <sup>+10</sup> / <sub>-5</sub>	Max. 5															

DATE : Jan. 28, 2016

Panasonic Corporation

# S P E C I F I C A T I O N S

NARROW-PITCH CONNECTORS

AXK5F00007YG/AXK6F00007YG

Page ; 4 / 11

Item	Specification	Test condition
4) Humidity resistance (Header and socket mated)	After 120 hours Contact resistance Max. 90 mΩ Insulation resistance Min. 100 MΩ	IEC60068-2-78 Bath temperature 40 °C±2 °C Humidity 90%RH to 95 %RH
5) Salt water spray resistance (Header and socket mated)	After 24 hours Contact resistance Max. 90 mΩ Insulation resistance Min. 100 MΩ	IEC60068-2-11 Bath temperature 35 °C±2 °C Salt water concentration : 5 %±1 %
6) H <sub>2</sub> S resistance (Header and socket mated)	After 48 hours Contact resistance Max. 90 mΩ	Conformed to JEIDA-38-1984 Bath temperature 40 °C±2 °C Gas concentration 3 ppm±1 ppm Humidity 75 %RH to 80 %RH
6-4. Life characteristics Insertion and removal life with no load	50 times • Composite removal force same as 6-2-2) • Contact resistance Max. 90 mΩ	Repeated insertion and removal cycles of max. 200 times/hour
6-5. Soldering temperature resistance	The initial specification must be satisfied electrically and mechanically	Max. peak temperature of 260 °C Infrared reflow soldering ( PC board surface temperature near connector terminals ) Soldering iron 300 °C within 5 s 350 °C within 3 s
6-6. Solder paste thickness	The initial specification must be satisfied electrically and mechanically	Recommendation t=0.15 mm

7. Package : Embossed packaging

8. The place of origin : Japan

9. Precaution for use

Please use our products in the conditions described in our specification sheets. Panasonic Corporation does not guarantee the failures caused by the usage in the conditions beyond the specifications.

DATE : Jan. 28, 2016

Panasonic Corporation

# S P E C I F I C A T I O N S

NARROW-PITCH CONNECTORS

AXK5F00007YG/AXK6F00007YG

Page ; 5 / 11

1 0 . Remarks

10-1. Regarding PC board design

Refer to the recommended PC board pattern for keeping the strength of soldering.

10-2. Connector placement

In case of dry condition, please note the occurrence of static electricity.

The product may be adhered to the embossed carrier tape or the cover tape in dry condition.

Recommended humidity is from 40%RH to 60%RH and please remove static electricity by ionizer in manufacturing process.

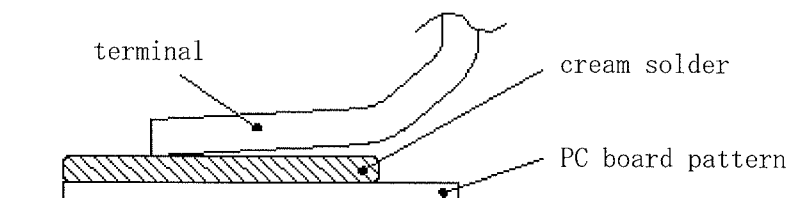
10-3. Soldering

1) Manual soldering.

- As this product is low profile type, please avoid the excessive solder. Because the excessive solder makes creepage at contact portion, or incomplete mating by soldering interference.
- Please use the soldering iron under specified temperature and times.
- Soldering flux may contaminate the contact portion , please check the contact portion after soldering with a magnifying glass. If the contamination is found, please clean the contamination before use.
- As excessive force to terminal by manual soldering has some possibilities of contact portion deformation, please be careful to the force by hand.
- Please clean soldering iron tip.

2) Reflow soldering.

- When cream solder printing is used, screen method is recommended.
  - The relation between the screen opening area and PC board foot pattern area should be referred to “Recommended PC board pattern” drawings and “Recommended metal mask pattern” drawings.
- Especially your consideration is appreciated not to expand the dimensions of the PC board pattern and the metal mask at the root part of terminals.
- Please avoid the excessive solder. Because the excessive solder makes incomplete mating by soldering interference.



- When applying the different thickness of a screen, please contact us.
- There may be a case of difficult self-alignment depending on the connector size. In that case, please be careful to align terminals and solder pads.

DATE : Jan. 28, 2016

Panasonic Corporation

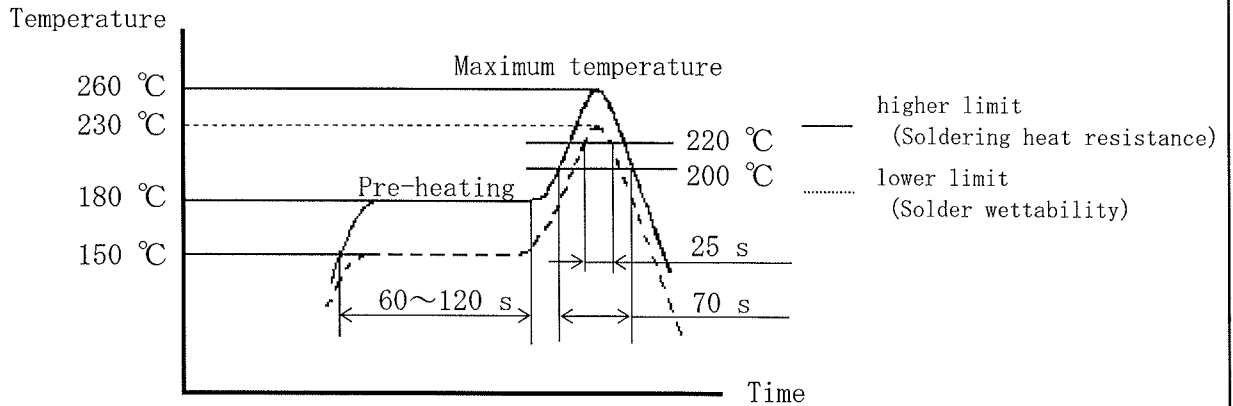
# S P E C I F I C A T I O N S

NARROW-PITCH CONNECTORS

AXK5F00007YG/AXK6F00007YG

Page ; 6 / 11

- The following diagram shows the recommended reflow soldering temperature profile.



- Infrared reflow soldering is able to passed two times.
- The temperature is measured on the PC board surface near connector terminals.
- The condition of solder or flux creepage and wettability depend on the type of solder and flux. Please set the reflow temperature and oxygen level by considering the solder and flux characteristics.
- Do not use resin-containing solder. Otherwise, the contacts might be firmly fixed.

### 3) Rework of soldering portion.

- Rework shall be only one time.
- Please avoid the supplementary flux in case of rework for soldering bridge, as this may cause flux creepage to contact portion.
- Please use the soldering iron under specified temperature.

### 10-4. Preventing vibration and shock

In order to secure the PC board connection even when a shock applied, please keep a connector away from the influence of the shock by fixing the PC board to the enclosure or any other means.

10-5. As the excessive force on the terminals may cause the deformation and the integrity of solderability will be lost during reflow soldering, please avoid dropping or rough handling of the product.

10-6. When the soldering is not completed, do not mate nor unmate the connectors. And the external compulsory force to the terminal may cause the fixing force lowering between the terminal and the molding or the coplanarity failures.

DATE : Jan. 28, 2016

Panasonic Corporation



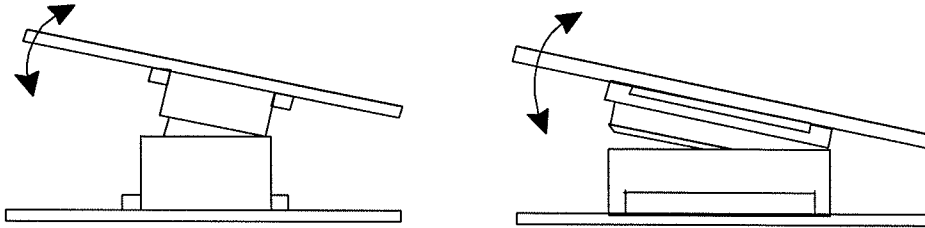
# SPECIFICATIONS

NARROW-PITCH CONNECTORS

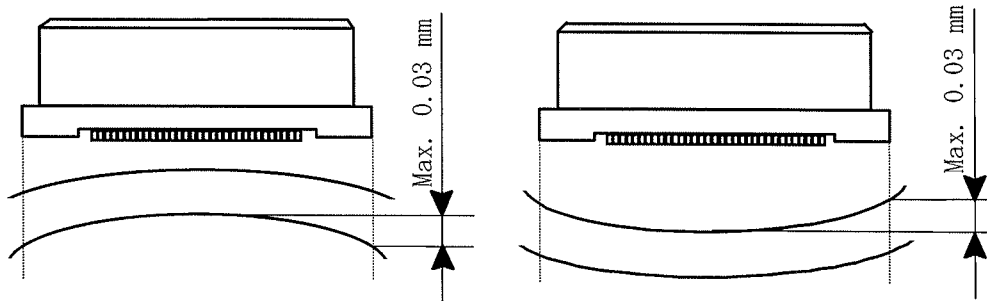
AXK5F00007YG/AXK6F00007YG

Page ; 7 / 11

10-7. These models are made very thin so that they may be smaller in size and light in weight than before.  
 Take care not to give them excessive force and insert by sliding when mating them together or unmating them; otherwise, breakage may result. To prevent damage from incorrect insertions, please confirm the correct position before mating connectors.

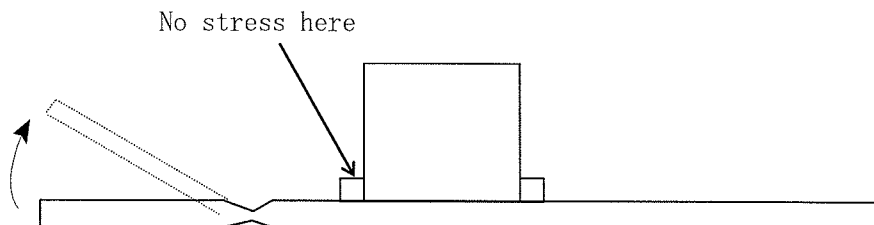


10-8. Keep the PC board warp 0.03 mm or below as against the overall length of the connector.



10-9. Applied the connector with positioning projection.  
 Though this connector has positioning tab for outline setting, Please to assemble by an automatic placement machine.

10-10. When cutting the PC board after mounting the connector, please avoid the stress at the soldering portion.



DATE : Jan. 28, 2016

Panasonic Corporation

# SPECIFICATIONS

NARROW-PITCH CONNECTORS

AXK5F00007YG/AXK6F00007YG

Page ; 8 / 11

## 10-11. PC board

As thick coverlay / solder resist and adhesive may cause poor soldering, please set thickness of coverlay and adhesive as thin as possible.

## 10-12. When mounting connectors on a FPC board :

- When the connector soldered to FPC is mated or unmated, solder detachment may occur by the force to the terminals. Connector handling is recommended in the condition when the reinforcing plate is attached to the backside of FPC where the connector is mounted. The external dimension of the reinforcing plate is recommended to be larger than the dimension of "PC board recommended process pattern" (extended dimension of one side is approximately 0.5~1.0mm). The materials and thickness of the reinforcing plate are glass epoxy or polyimide (thickness 0.2-0.3mm) or SUS (thickness 0.1-0.2mm) .
- As this connector has temporary locking structure, the connector mating may be separated by the dropping impact depend on the size, weight or bending force of the FPC., Please consider the measures at usage to prevent the mating separation.

## 10-13. Cleaning treatment

Cleaning this product is not needed basically.

Please note the following points to prevent the negative effect to the product when cleaning is necessary.

- Please keep the cleanliness of the cleaning fluid to make sure that the contact surfaces are not contaminated by the cleaning fluid itself.
- Semi-aqueous cleaning solvent is recommended as some powerful solvent may dissolve the molding portion or the marked letters.

Please contact us when other solvent is used.

## 10-14. Restriction on the quantity of connector

- When using the board to board connectors, do not connect a pair of board with multiple connectors. Otherwise, misaligned connector positions may cause mating failure or product breakage.

DATE : Jan. 28, 2016

Panasonic Corporation

# SPECIFICATIONS

NARROW-PITCH CONNECTORS

AXK5F00007YG/AXK6F00007YG

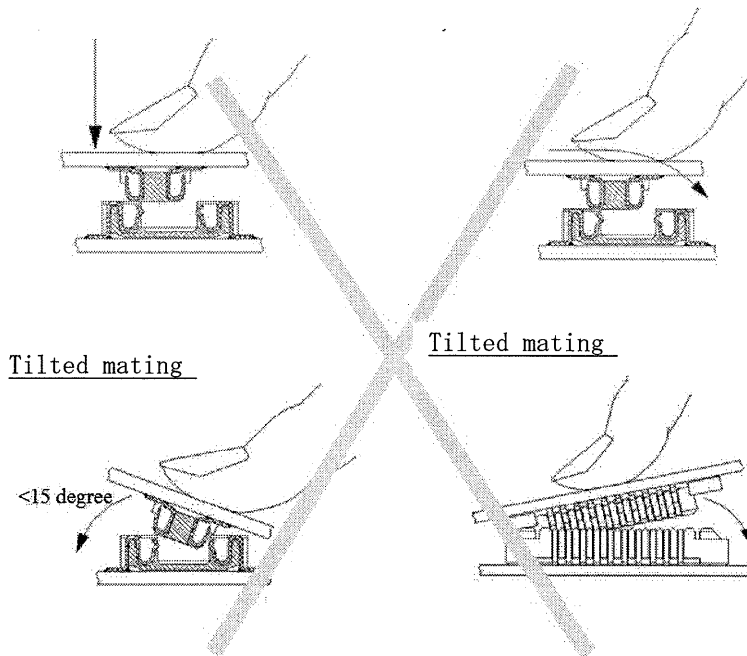
Page ; 9 / 11

## 10-15. Precautions for mating

This product is designed with ease of handling. However, in order to prevent the deformation or damage of contacts and molding, do not mate the connectors as shown below.

Press-fitting while the mating inlets of the socket and header are not matched.

Strongly pressed and twisted



## 10-16. Precautions for operating environment and storage environment

- Panasonic Corporation does not guarantee the failures caused by condensation.

## 10-17. Other precautions

- When the coating material is used for preventing PC board isolation deterioration after soldering, please assure the coating material is not adhered on any part of connector.
- Please avoid the usage of connector as electric switching basically.

DATE : Jan. 28, 2016

Panasonic Corporation

# S P E C I F I C A T I O N S

NARROW-PITCH CONNECTORS

AXK5F00007YG/AXK6F00007YG

Page ; 10 / 11

## 1 1. About safety Remarks

Observe the following safety precautions to prevent accidents and injuries.

- 11-1. Do not use these connectors beyond the specification sheets. The usage outside of specified rated current, dielectric strength, and environmental conditions and so on may cause circuitry damage via abnormal heating, smoke, and fire.
- 11-2. In order to avoid accidents, your thorough specification review is appreciated. Please contact us if your usage is out of the specifications. Otherwise, Panasonic Corporation cannot guarantee the quality and reliability.
- 11-3. Panasonic Corporation is consistently striving to improve quality and reliability. However, the fact remains that electrical components and devices generally cause failures at a given statistical probability. Furthermore, their durability varies with use environments or use conditions. In this respect, please check for actual electrical components and devices under actual conditions before use.  
Continued usage in a state of degraded condition may cause the deteriorated insulation, thus result in abnormal heat, smoke or firing. Please carry out safety design and periodic maintenance including redundancy design, design for fire spread prevention, and design for malfunction prevention so that no accidents resulting in injury or death, fire accidents, or social damage will be caused as a result of failure of the products or ending life of the products.

## 1 2. Environmental protection ;

The raw materials, components, etc., that constitute our products do not include the following hazardous materials. And we don't use the following hazardous materials while performing production activities.

- Ozone-depleting materials ;  
 CFC- 11, 12, 13, 111, 112, 113, 114, 115, 211, 212, 213, 214, 215, 216, 217  
 Halon 1211, 1301, 2402  
 Carbon tetrachloride  
 Methyl chloroform
- Polybrominated flame retardants ;  
 PBBO<sub>s</sub>, PBDO, PBDPO, PBDPE, DBDO, OBDO, TBDO, PBB<sub>s</sub>, PBDE
- Specified chemical substances (Impurities are excepted) ;  
 Mercury, Cadmium, Hexavalent chromium, Lead
- Other toxic substances  
 Asbestos  
 Organic tin compounds (Tributyl tin compounds, Triphenyl tin compounds)  
 Polychlorinated biphenyls  
 Polychlorinated naphthalenes  
 Azo compounds  
 Chlorinated paraffins

DATE : Jan. 28, 2016

Panasonic Corporation

# SPECIFICATIONS

NARROW-PITCH CONNECTORS

AXK5F00007YG/AXK6F00007YG

Page ; 11 / 11

## 13. Warranty

Although the best attention will be paid for the quality controls of the products, please consider the followings :

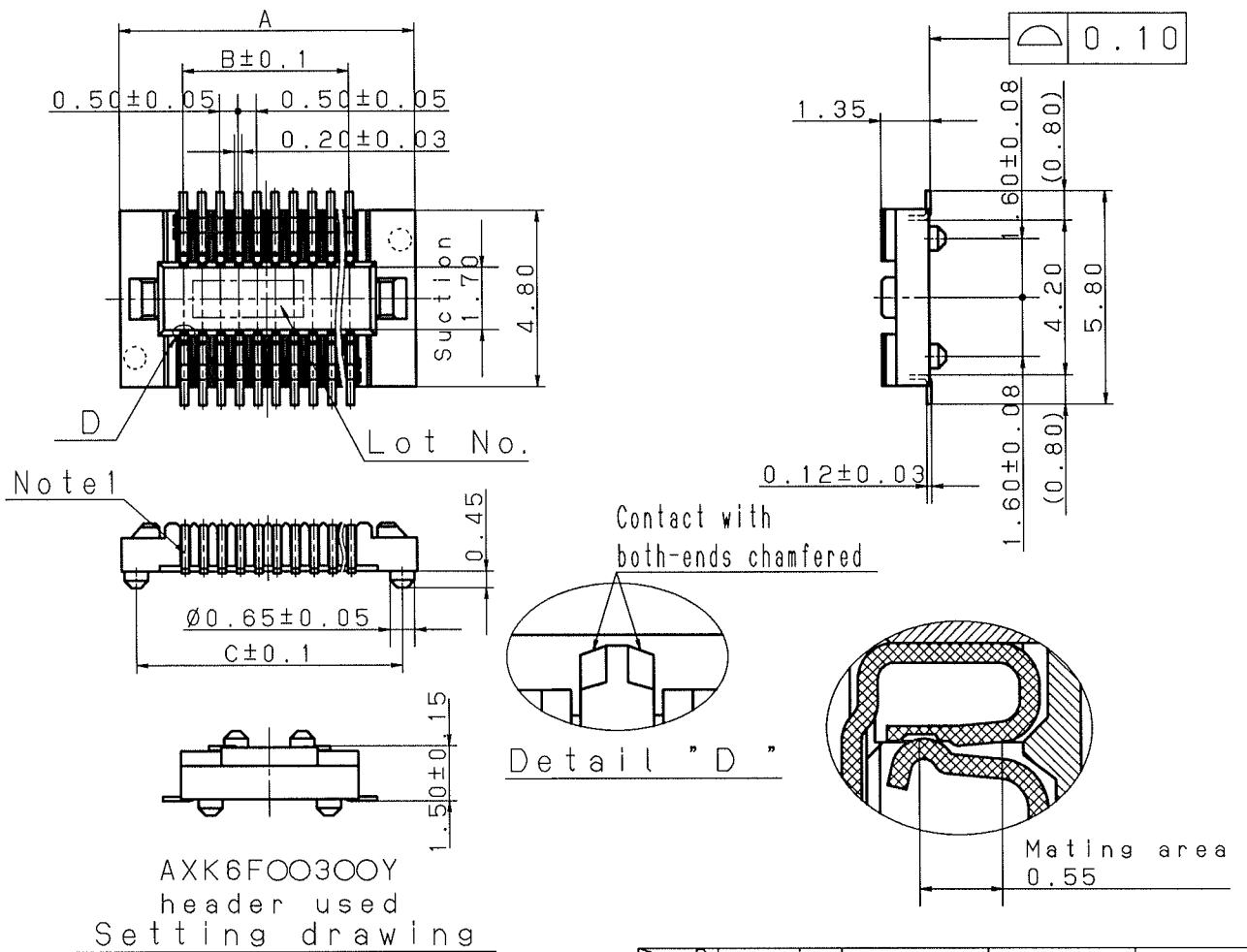
- 1) To avoid uses of the product not in accordance with its specifications, Panasonic Corporation asks the purchaser to present the purchaser's specification, the final destination, application of the final product and the method of installation of the product.
- 2) Please adopt the dual circuit (protection or redundant circuit) and conduct safety test when the connector is used under the following condition.
  - When the significant damage to life and property are expected.
  - When the relay is used in instruments required high safety.The secondary damage such as health damage of equipment users, caused by the failure of our products, is not compensated.
- 3) Panasonic Corporation will either repair or replace any products or parts thereof after mutual consultation if it is proven to be defective against only the items written in this specifications within one year from the date of products acceptance at the site of delivery unless another contract defined each other.

The following are excluded from the warranty condition.

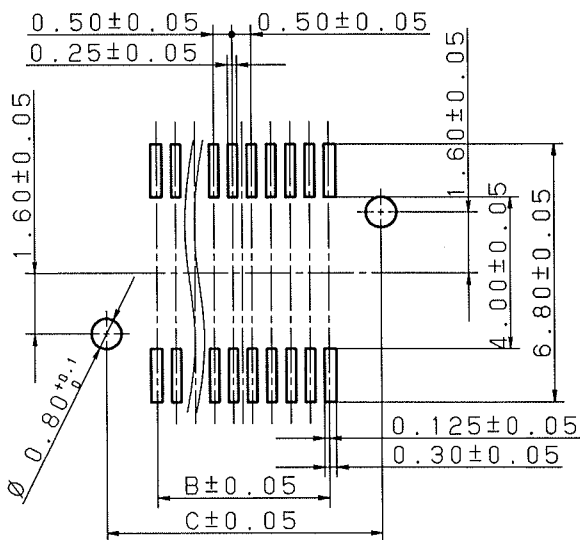
- ① Any consequential damages or loss of profits is resulted from malfunctions or defects of the product.
- ② The products are affected by the situation out of the specification at handling, the storage and the transport, etc. after the delivery.
- ③ An unforeseen situation arises which was unable to be predicted technically at the time of shipment
- ④ A natural or man-made disaster which is beyond Panasonic Corporation's control occurs such as earthquake, flood, fire or social strife.

DATE : Jan. 28, 2016

Panasonic Corporation



Recommended PC board pattern  
(mounting pad layout)  
(TOP VIEW)

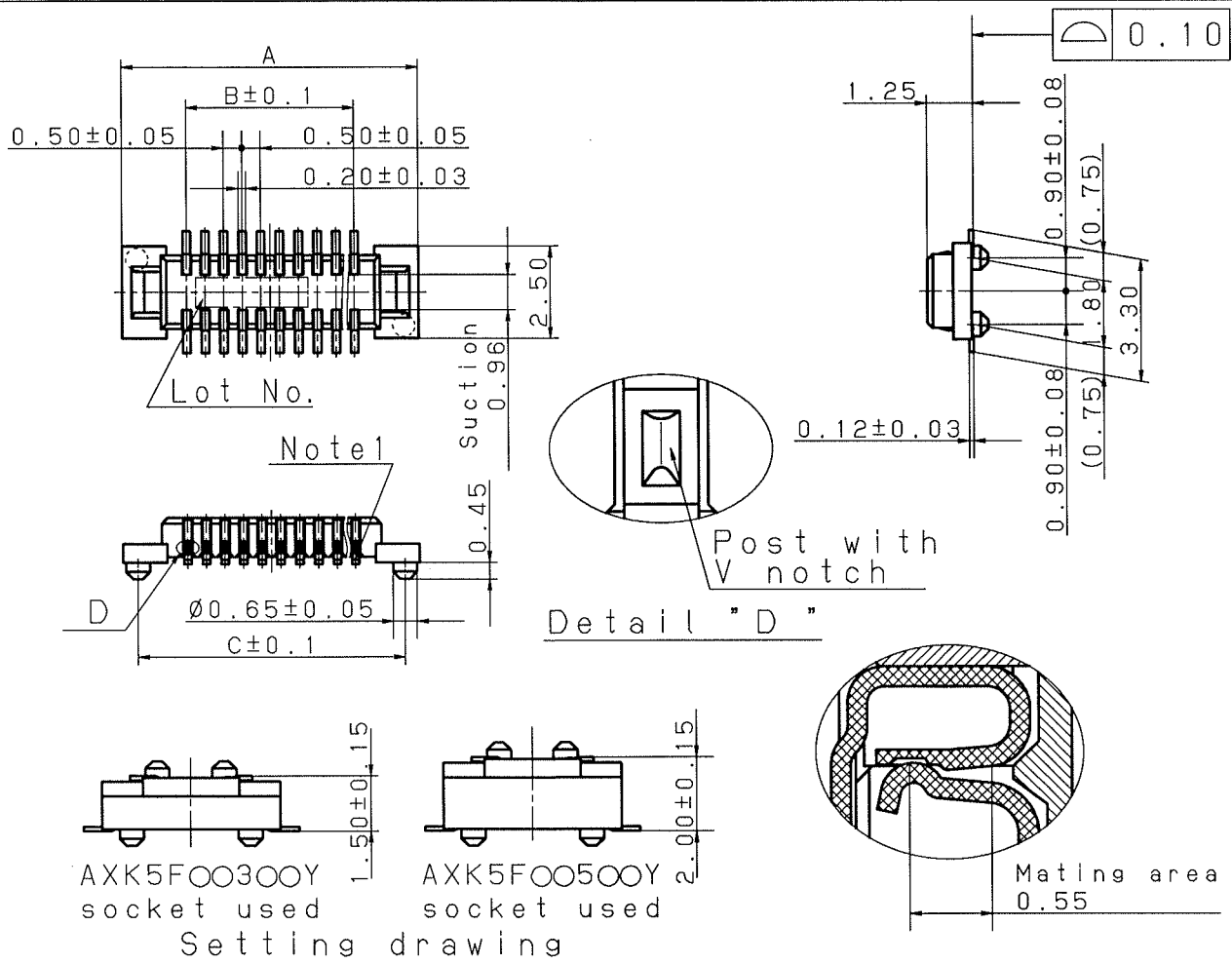


Note1) The vicinity of soldering part processes Nickel barrier. (Nickel exposure)

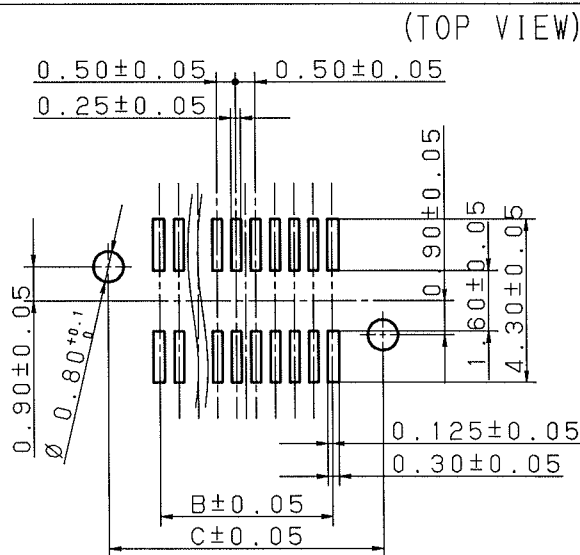
General tolerance  $\pm 0.2$

Dimension No. of contacts	A	B	C
10	5.50	2.00	4.70
12	6.00	2.50	5.20
14	6.50	3.00	5.70
16	7.00	3.50	6.20
18	7.50	4.00	6.70
20	8.00	4.50	7.20
22	8.50	5.00	7.70
24	9.00	5.50	8.20
26	9.50	6.00	8.70
30	10.50	7.00	9.70
32	11.00	7.50	10.20
34	11.50	8.00	10.70
40	13.00	9.50	12.20
50	15.50	12.00	14.70
60	18.00	14.50	17.20
70	20.50	17.00	19.70
80	23.00	19.50	22.20

Sym	Item or Code No	Material & Size	qt.	Process	Remark	
Catalog No _____				Drawing Name _____		
Name Narrow-pitch connectors P5KF series socket				Drawing No AXK5F20337Y		
Remark _____				Scale 5:1	Unit: mm Date Dec. 1, '15	
Drawn	<i>H. Oton</i>	Reviewed	Panasonic Corporation			
Designed	<i>M. Kadowaki</i>	Approved				<i>K. Matsuda</i>
Checked	<i>H. Ueda</i>					



Recommended PC board pattern  
(mounting pad layout)



Note1) The vicinity of soldering part processes Nickel barrier. (Nickel exposure)

General tolerance ±0.2

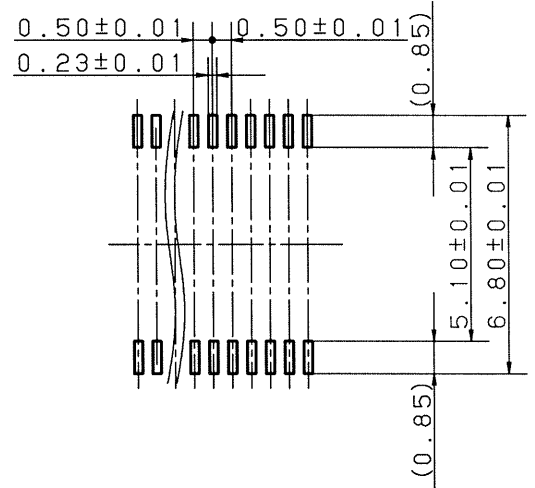
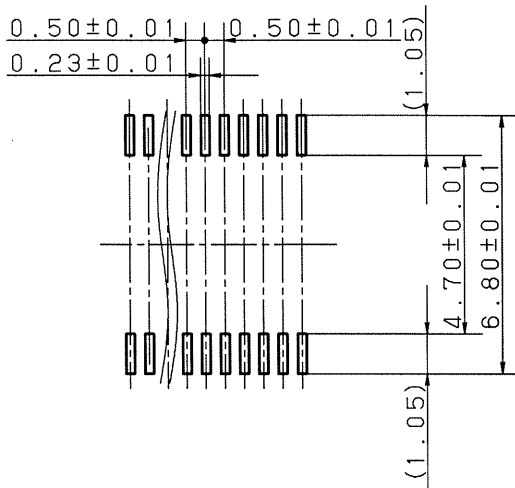
Dimension No. of contacts	A	B	C
10	5.50	2.00	4.70
12	6.00	2.50	5.20
14	6.50	3.00	5.70
16	7.00	3.50	6.20
18	7.50	4.00	6.70
20	8.00	4.50	7.20
22	8.50	5.00	7.70
24	9.00	5.50	8.20
26	9.50	6.00	8.70
30	10.50	7.00	9.70
32	11.00	7.50	10.20
34	11.50	8.00	10.70
40	13.00	9.50	12.20
50	15.50	12.00	14.70
60	18.00	14.50	17.20
70	20.50	17.00	19.70
80	23.00	19.50	22.20
100	28.00	24.50	27.20

Sym	Item or Code No	Material & Size	qt.	Process	Remark
Catalog No _____				Drawing Name _____	
Name Narrow-pitch connectors P5KF series header				Drawing No AXK6F20337Y	
Remark _____				Scale 5:1	Unit: mm Date Dec. 1, '15
Drawn	<i>H. Ito</i>	Reviewed			
Designed	<i>M. Kadowaki</i>	Approved	<i>K. Matsuda</i>		
Checked	<i>Z. Ueda</i>				
Panasonic Corporation					

# Recommended metal mask pattern

Metal mask thickness: When 120 $\mu$ m  
(Opening ratio:69%)

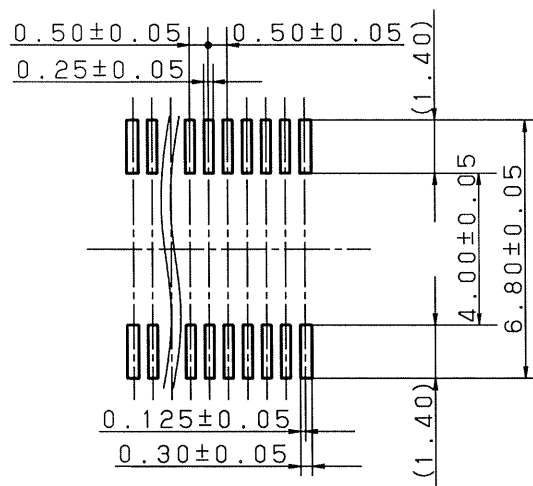
Metal mask thickness: When 150 $\mu$ m  
(Opening ratio:56%)



(Reference)

Recommended PC board pattern (mounting layout)

(Top view)



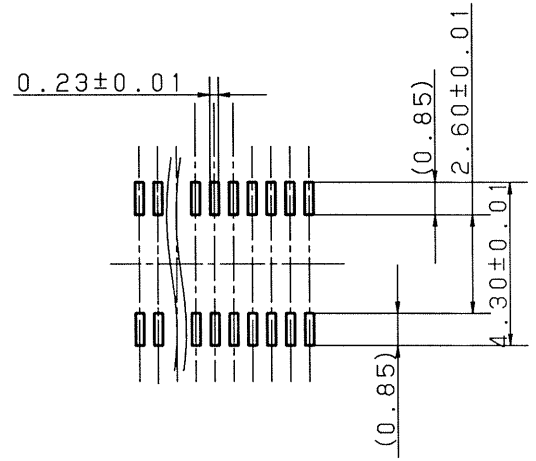
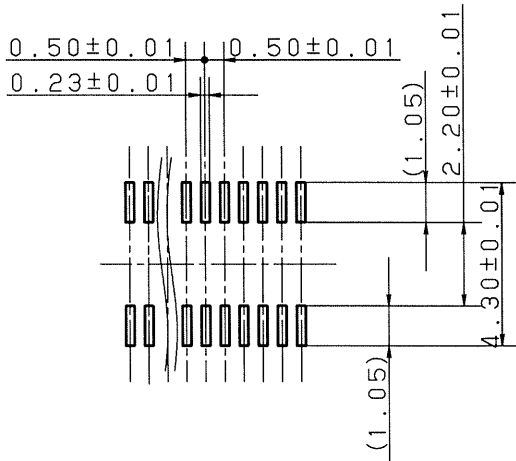
Sym	Item or Code No	Material & Size	qt.	Process	Remark
Catalog No			Drawing Name		
Name Narrow-pitch connector P5KF socket			Drawing No AXK5F-SM-001		
Remark			Scale 5 : 1	Unit: mm	Date Dec. 1, '15
Drawn <i>H. Otsu</i>	Reviewed		Panasonic Corporation		
Designed <i>M. Kadonaka</i>	Approved <i>K. Matuda</i>				
Checked <i>T. Ueda</i>					



# Recommended metal mask pattern

Metal mask thickness: When 120 $\mu$ m  
(Opening ratio:72%)

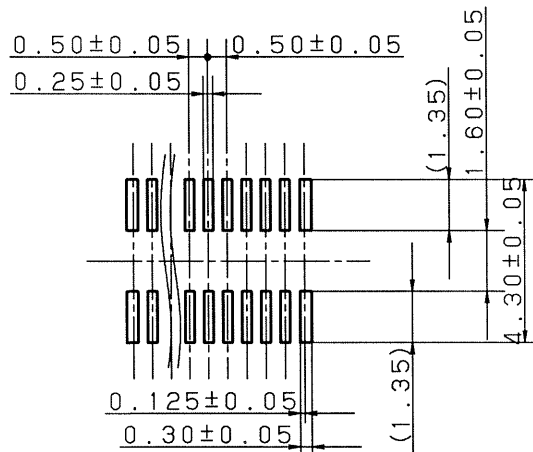
Metal mask thickness: When 150 $\mu$ m  
(Opening ratio:58%)



(Reference)

Recommended PC board pattern (mounting layout)

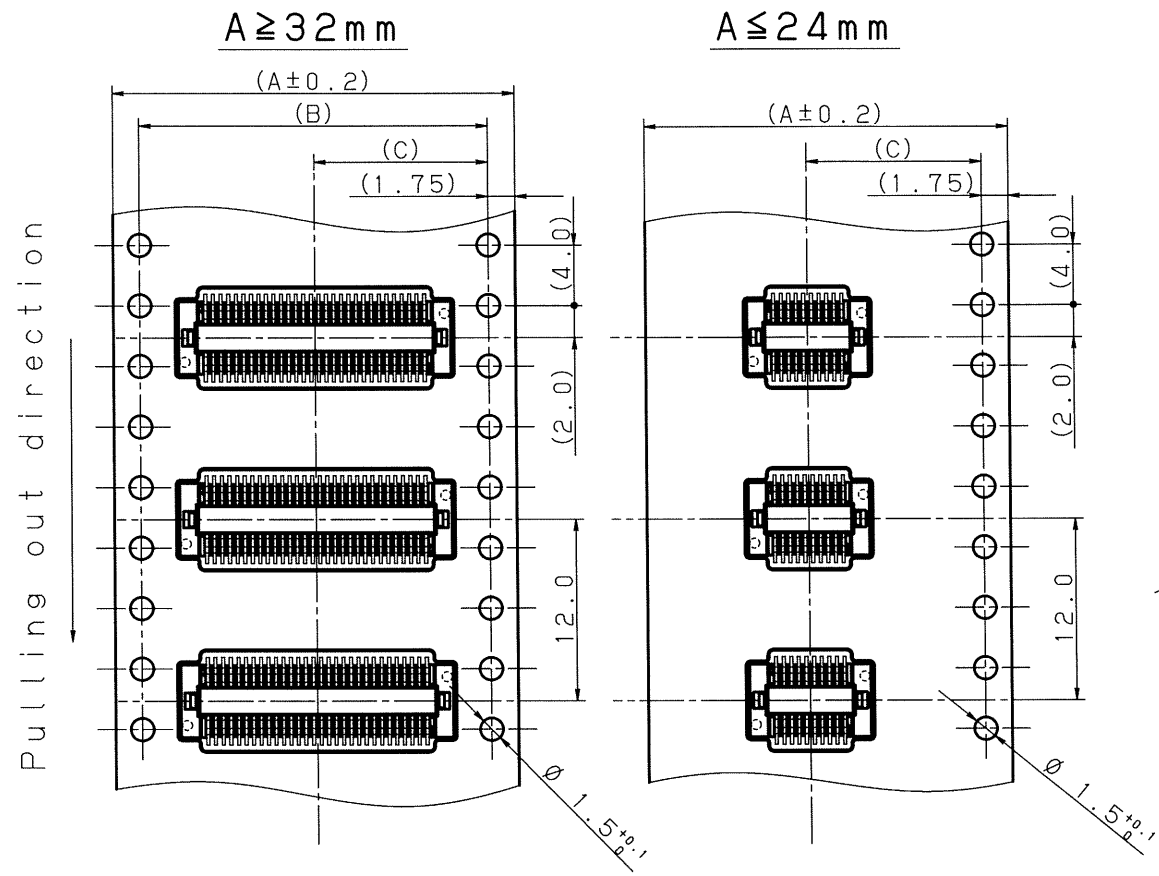
(Top view)



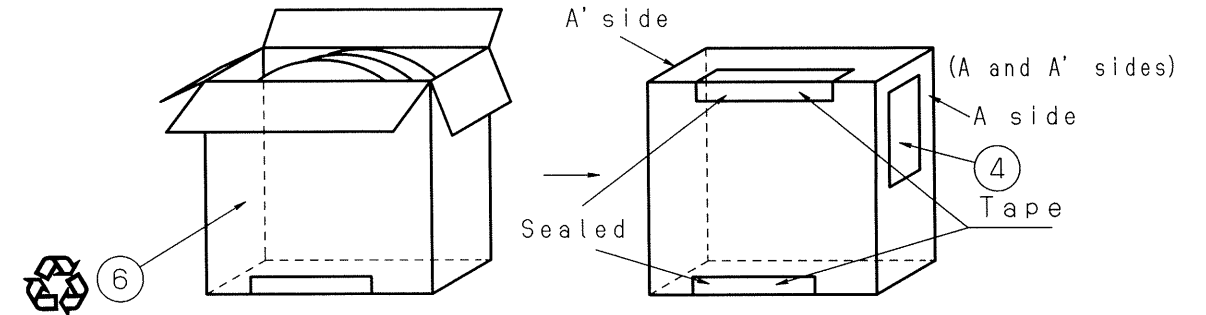
Sym	Item or Code No	Material & Size	qt.	Process	Remark
Catalog No _____			Drawing Name _____		
Name Narrow-pitch connector P5KF header			Drawing No AXK6F-SM-001		
Remark _____			Scale 5 : 1	Unit: mm	Date Dec. 1, '15
Drawn <i>H. Otsu</i>	Reviewed _____		Panasonic Corporation		
Designed <i>M. Kadowaki</i>	Approved <i>K. Matsumoto</i>				
Checked <i>T. Ueda</i>					

Tape packed status (JIS C 0806-1990)  
The mounting pitch may not be conformed to the JIS.

Carton containing 2 reels



Dimension	A	B	C	D
No. of contacts				
Max : 58	24.0	—	11.5	25.4
60~70	32.0	28.4	14.2	33.4
72~100	44.0	40.4	20.2	45.4



Label attached

Code of Panasonic Corporation

**Panasonic**

Parts No. AXK5F20347YG

Name CONNECTOR

(pcs) PCS.

Lot.No. Panasonic Corporation

Made In Japan

Lot No. + Factory identify code

China RoHS Recycle Mark

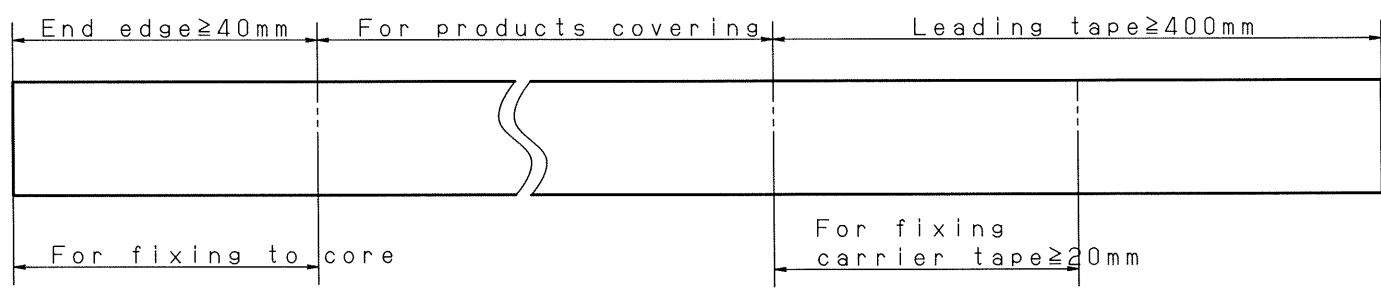
Reel	Carton

Recycle Mark of packaging materials for South Korea

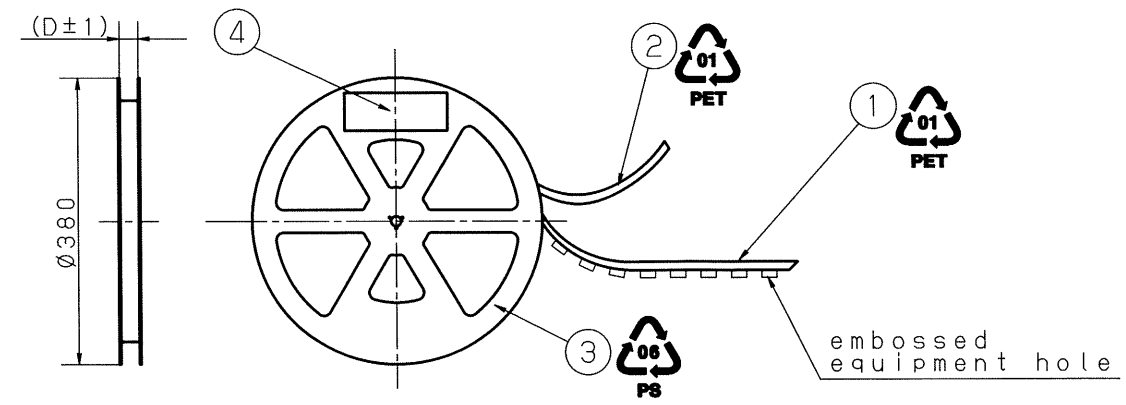
Reel	Carton
	No Display

EIAJ C-3

Cover Tape



Reel Package (EIAJ ET-7200B)



2) The beginning of the carrier tape and the end edge is fixed by taping up.

Note 1) In case of stripping off the cover tape, the tape itself must not be torn.

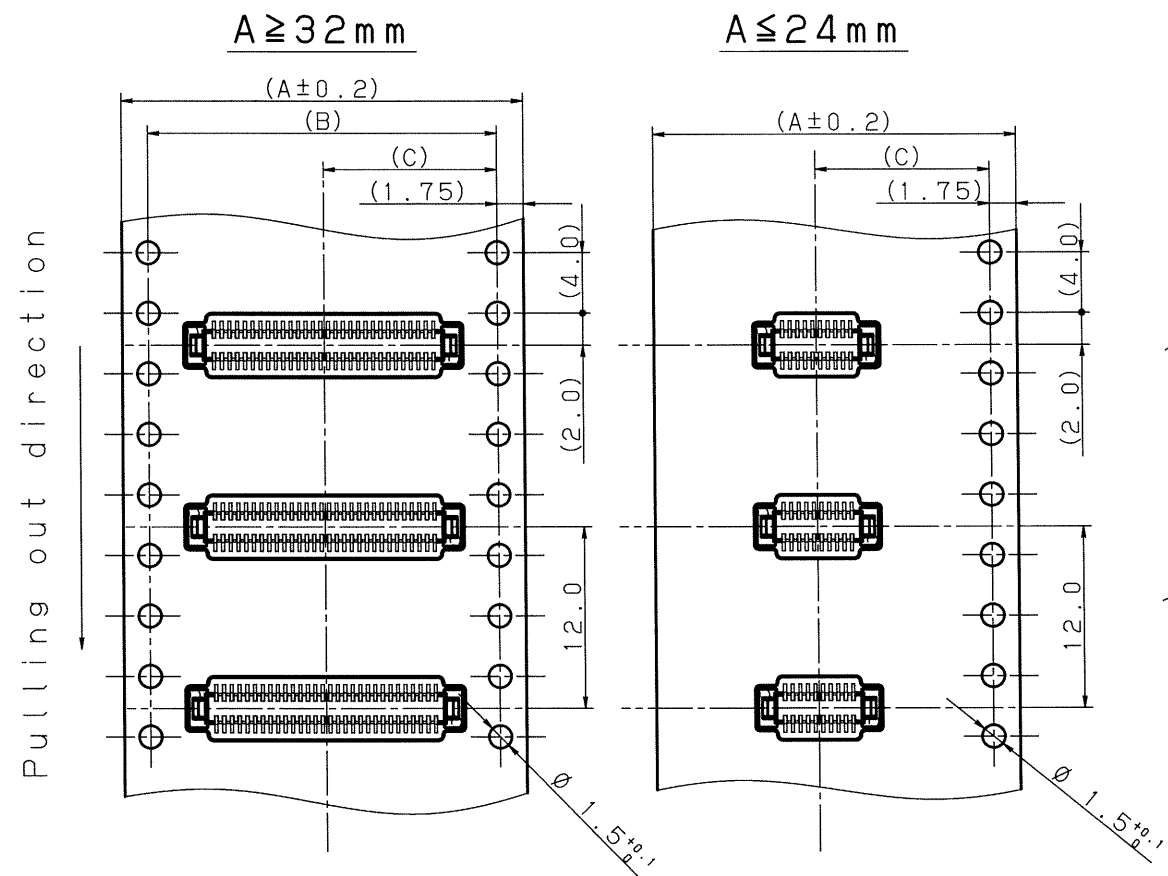
6	Carton	Corrugated fiberboard		
5	Narrow-pitch connectors			
4	Label	Coat Paper		
3	Reel	PS		Color : Black
2	Cover tape	PET		
1	Embossed Carrier tape	PET		

Sym	Item or Code No	Material & Size	qt.	Process	Remark
Catalog No		Drawing Name Embossed tape packaging			
Name Narrow-pitch connectors P5KF series socket		Drawing No AXK5F20347YG			
Remark		Scale	Unit: mm	Date May.16.'16	
Drawn	H. Otsu	Reviewed			
Designed	M. Kadowaki	Approved	K. Motoda		
Checked	Y. Iwata				

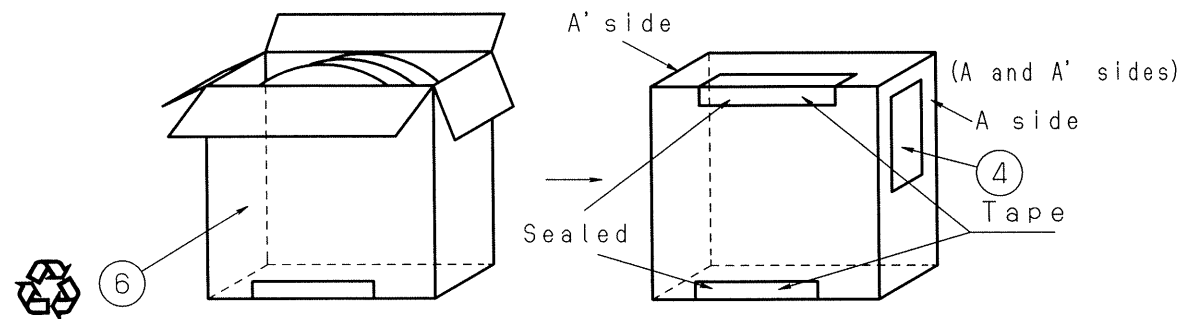
Panasonic Corporation

Tape packed status (JIS C 0806-1990)

The mounting pitch may not be conformed to the JIS. Carton containing 2 reels



Dimension No. of contacts	A	B	C	D
Max: 58	24.0	—	11.5	25.4
60~70	32.0	28.4	14.2	33.4
72~100	44.0	40.4	20.2	45.4



Label attached

Code of Panasonic Corporation

Parts No. AXK6F20347YG

Name CONNECTOR

(pcs) PCS.

Lot.No.

Panasonic Corporation Made in Japan

Date Code: Lot No. + Factory identify code

China RoHS Recycle Mark

Reel	Carton

Recycle Mark of packaging materials for South Korea

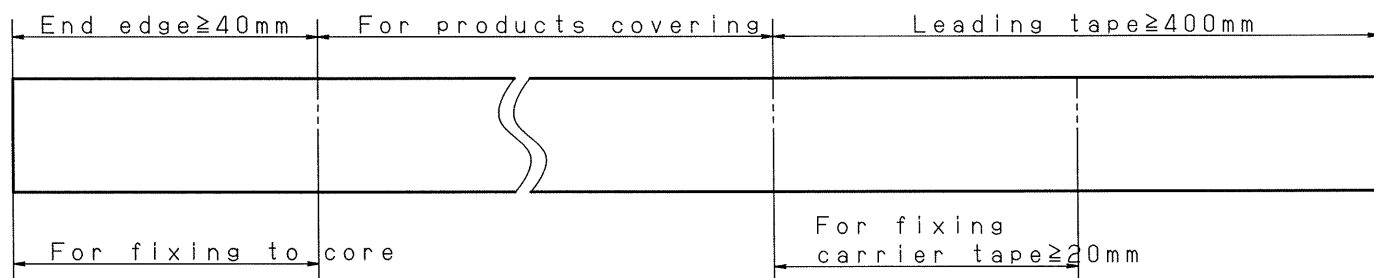
Reel	Carton
	No Display

2D Code

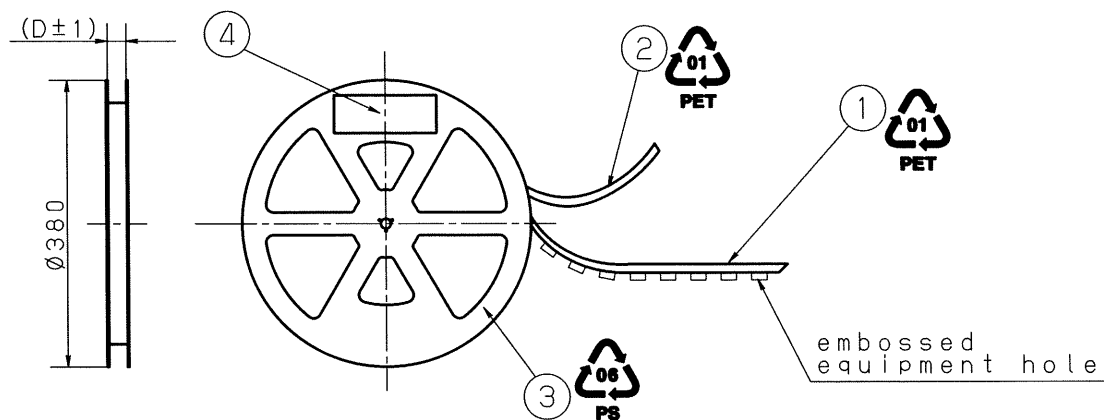
EIAJ C-3

Packing quantity	
Reel	Carton
2000	4000

Cover Tape



Reel Package (EIAJ ET-7200B)



2) The beginning of the carrier tape and the end edge is fixed by taping up.

Note 1) In case of stripping off the cover tape, the tape itself must not be torn.

Sym	Item or Code No	Material & Size	qt.	Process	Remark
6	Carton	Corrugated fiberboard			
5	Narrow-pitch connectors				
4	Label	Coat Paper			
3	Reel	PS			Color: Black
2	Cover tape	PET			
1	Embossed Carrier tape	PET			

Catalog No	Drawing Name	Scale	Unit	Date
	Embossed tape packaging		mm	May.16.'16
Name	Narrow-pitch connectors P5KF series header	Drawing No	AXK6F20347YG	
Remark		Scale	Unit: mm	Date: May.16.'16
Drawn	H. Iton	Reviewed		
Designed	M. Kudowaki	Approved	K. Motoda	
Checked	Y. Suzuki			

Panasonic Corporation