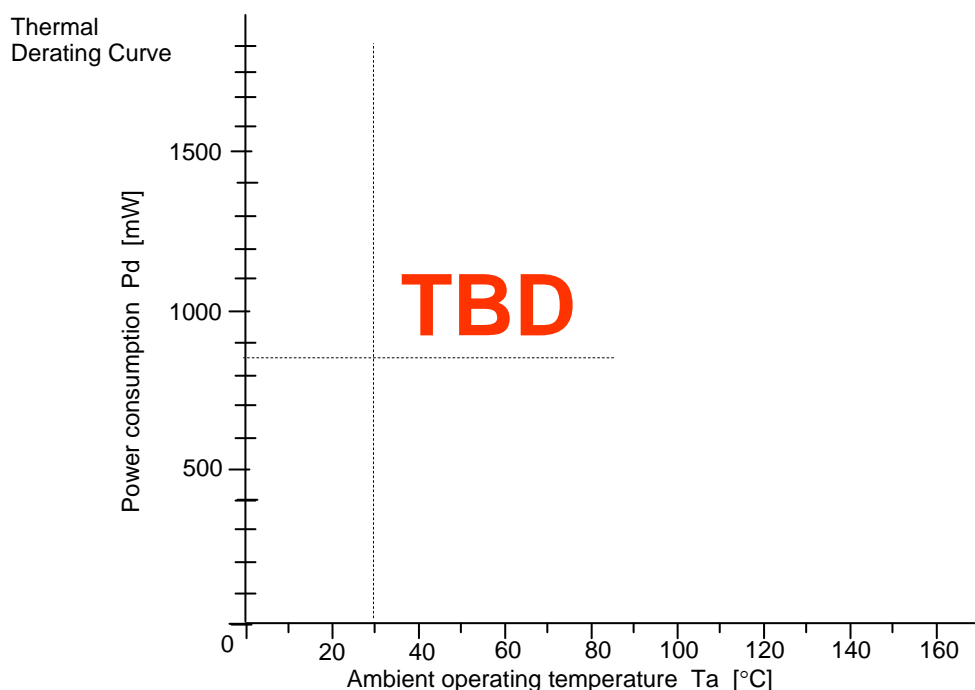


Absolute Maximum Ratings (Unless specified, the ambient temperature is 25°C)

Item	Symbol	Rated Value	Unit	Remarks
Power-supply voltage 2	VM	6.5	V	Note1
Direct current (1ch~5ch)	Iod	±800	mA/ch	Note4 Note5 DC
Instantaneous output current (1ch~5ch)	Iop	±1000	mA/ch	Note4 PW < 10ms, Duty ≤ 20%
Direct current (6ch)	Iod	±400	mA/ch	Note4 Note5 DC
Allowable power consumption	Pd	TBD	mW	Note2 (Ta = 25°C)
Thermal derating ratio	Kθ	TBD	mW/°C	Note2 (Ta ≥ 25°C)
Max. junction temperature	Tj	150	°C	
Applied input voltages	Vin	-0.3~5.5	V	Note3
Ambient operating temperature	Topr	-30~85	°C	
Storage temperature	Tstg	-40~125	°C	

- Notes:
- As a rule, do not apply reverse power-supply voltages.
 - Glass epoxy board: 76.2mm x 114.5mm x 1.6mm, copper-occupancy ratio in a 4-layer board: 20% in layers 1 and 4, 100% in layers 2 and 3.
Note that the allowable power consumption changes according to the conditions imposed on the board.
 - As a rule, do not apply voltages above the power-supply voltage or below the GND voltage.
 - The total output current does not exceed the rated value in usage with multiple channels simultaneously turned on.
 - When FS is used for CH5, RNF5 needs to be connected to GND.



[Remarks]

The electric power which the power consumption of this IC with the output transistor of 1ch - 6ch becomes dominant.

Output transistor power consumption formula

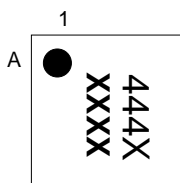
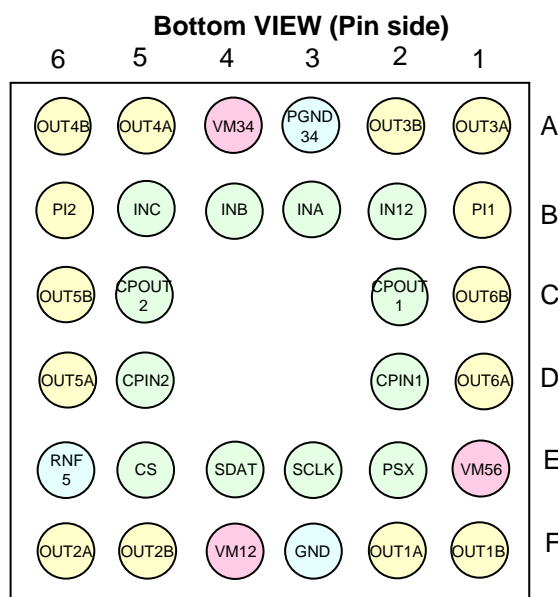
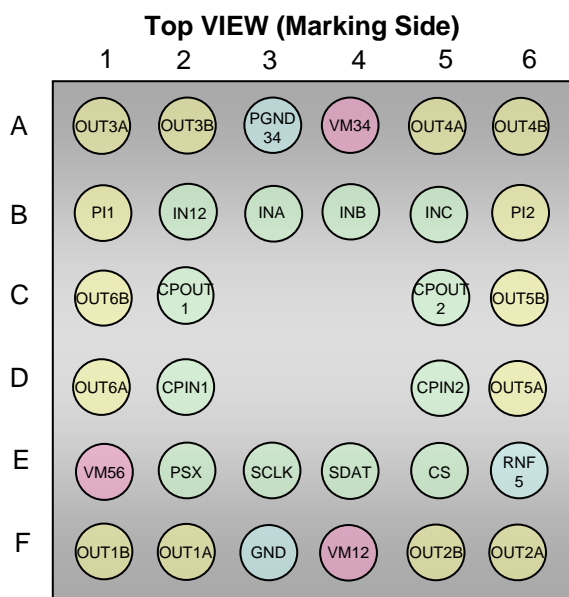
<Full Swing/Constant Voltage>: (output current)² x ON resistance E.g. (500mA)² x 2.0ohm=500mW

<Constant current>: output current x {VM – RNF5 – output current x RM}

Note: In constant current control, the on resistance is not included in the calculation

When the ambient temperature is 25°C or more, refer to the above figure in selecting the required heat sink.

Terminal Function Explanation

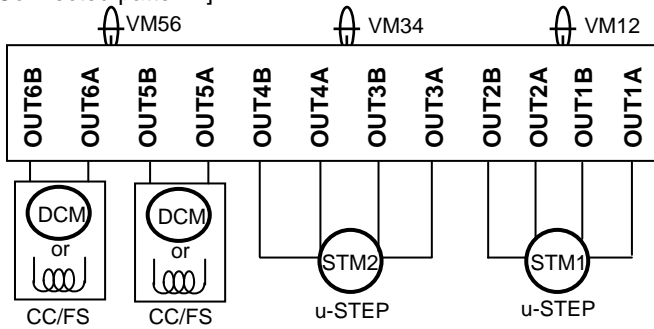


Pin No	Pin Name	I/O	Pin Function
A1	OUT3A	O	3CH A Output
A2	OUT3B	O	3CH B Output
A3	PGND34	GND	3/4CH power GND
A4	VM34	Power Supply	3/4CH Motor Power Supply
A5	OUT4A	O	4CH A Output
A6	OUT4B	O	4CH B Output
B1	PI1	O	PI1 Output
B2	IN12	I	12CH Control
B3	INA	I	3/4/5CH Control
B4	INB	I	4/5/6CH Control
B5	INC	I	Serial Control Signal
B6	PI2	O	PI2 Output MOB/EXT Output
C1	OUT6B	O	6CH B Output
C2	CPOUT1	O	Comparator 1 output
—			
—			
C5	CPOUT2	O	Comparator 2 output
C6	OUT5B	O	5CH B Output

Pin No	Pin Name	I/O	Pin Function
D1	OUT6A	O	6CH A Output
D2	CPIN2	I	Comparator 1 input
—			
—			
D5	CPIN2	I	Comparator 2 input
D6	OUT5A	O	5CH A Output
E1	VM56	Power Supply	5/6CH Motor Power Supply & Analog/Control power supply
E2	PSX	I	PS control signal
E3	SCLK	I	Serial Control Signal
E4	SDAT	I	Serial Control Signal
E5	CS	I	Serial Control Signal
E6	RNF5	GND	5CH power GND
F1	OUT1B	O	1CH B Output
F2	OUT1A	O	1CH A Output
F3	GND	GND	1/2CH power GND /analog control GND
F4	VM12	Power Supply	1/2CH Motor Power Supply
F5	OUT2B	O	2CH B Output
F6	OUT2A	O	2CH A Output

Actuator connection pattern(1)

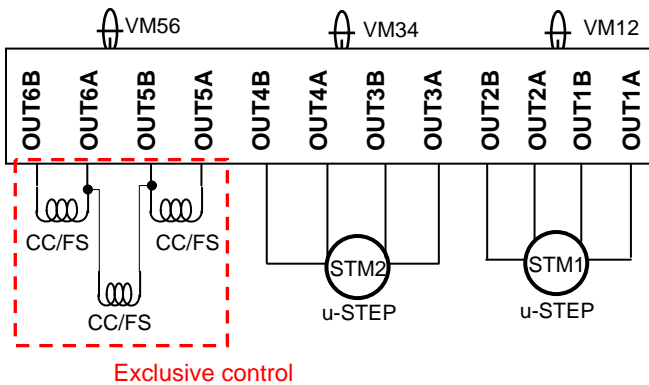
[Connected pattern1]



1ch	2ch	3ch	4ch	5ch	6ch
STM1		STM2		CC/FS	CC/FS
1line (IN12)		1line control (INA)		1line control (INC) or 2line control (INB/INC) or serial	1line control (INB) or serial

The control method of each channel is set through serial

[Connected pattern2]



1ch	2ch	3ch	4ch	5ch	6ch	7ch
STM1		STM2		CC/FS	CC/FS	CC/FS
1line (IN12)		1line control (INA)		1line control (INC) or 2line control (INB/INC) or serial	1line control (INB) or serial	1line control or Serial

Exclusive Control
5ch,6ch,7ch cannot be simultaneously operated. Only one channel is operated at a time.

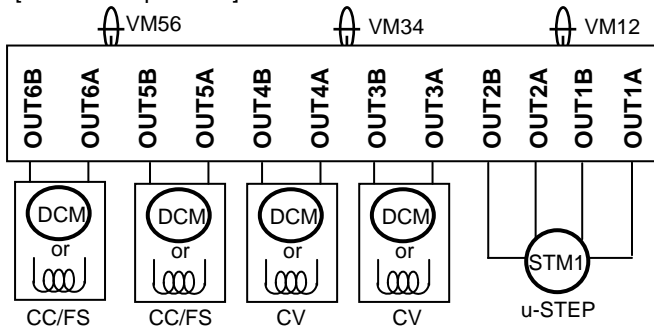
The control method of each channel is set through serial

3-7CH Control Input Terminal Setting

3-7CH Input Terminal Control Bit Setting					3/4ch (STM2)	3ch(DC motor/coil)	4ch(DC motor/coil)	5ch	6ch	7ch
b4	b3	b2	b1	b0						
0	0	0	0	0	0	—	—	—	—	—
0	0	0	0	0	1	—	—	INB/INC	—	—
0	0	0	1	0	0	INA	—	INB/INC	—	—
0	0	0	1	1	1	—	INA	INB/INC	—	—
0	0	1	0	0	0	—	—	INB/INC	INA	—
0	0	1	0	1	1	—	—	INC	—	—
0	0	1	1	0	0	INA	—	INC	—	—
0	0	1	1	1	1	INA	INB	INC	—	—
0	1	0	0	0	0	INA	—	INC	INB	—
0	1	0	0	1	1	—	INA	INC	—	INB
0	1	0	1	0	0	—	INA	INC	—	—
0	1	0	1	1	1	—	INA	INC	INB	—
0	1	1	0	0	0	—	INA	INC	—	INB
0	1	1	0	1	1	—	—	INC	INB	—
0	1	1	1	0	0	—	—	INC	—	INB
0	1	1	1	1	0	—	—	INC	—	INB
1	0	0	0	0	0	INA	—	—	—	—
1	0	0	0	0	1	INA	—	INC	—	—
1	0	0	0	1	0	INA	—	—	INC	—
1	0	0	0	1	1	INA	—	—	INC	—
1	0	1	0	0	0	INA	—	INB/INC	—	—
1	0	1	0	0	1	INA	—	INC	INB	—
1	0	1	0	1	0	INA	—	INC	—	INB
1	0	1	0	1	1	INA	—	INC	—	INB

Actuator connection pattern(2)

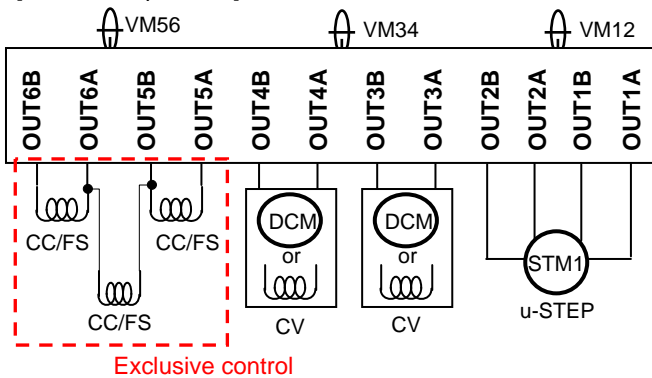
[Connected pattern3]



1ch	2ch	3ch	4ch	5ch	6ch
STM1	CV	CV	CC/FS	CC/FS	CC/FS
1line (IN12)	1line control (INA) or serial	1line control (INA or INB) or serial	1line control (INC) or 2line control (INB/INC) or serial	1line control (INB) or serial	1line control (INB) or serial

The control method of each channel is set through serial

[Connected pattern4]



1ch	2ch	3ch	4ch	5ch	6ch	7ch
STM1	CV	CV	CC/FS	CC/FS	CC/FS	CC/FS
1line (IN12)	1line control (INA) or serial	1line control (INA or INB) or serial	1line control (INC) or 2line control (INB/INC) or serial	1line control (INB) or serial	1line control (INB) or serial	1line control or Serial

The control method of each channel is set through serial

Exclusive Control
5ch,6ch,7ch cannot be simultaneously operated. Only one channel is operated at a time.

3-7CH Control Input Terminal Setting

3-7CH Input Terminal Control Bit Setting					3/4ch (STM2)	3ch(DC motor/coil)	4ch(DC motor/coil)	5ch	6ch	7ch
b4	b3	b2	b1	b0						
0	0	0	0	0	—	—	—	—	—	—
0	0	0	0	1	—	—	—	INB/INC	—	—
0	0	0	1	0	—	INA	—	INB/INC	—	—
0	0	0	1	1	—	—	INA	INB/INC	—	—
0	0	1	0	0	—	—	—	INB/INC	INA	—
0	0	1	0	1	—	—	—	INC	—	—
0	0	1	1	0	—	INA	—	INC	—	—
0	0	1	1	1	—	INA	INB	INC	—	—
0	1	0	0	0	—	INA	—	INC	INB	—
0	1	0	0	1	—	—	—	INC	—	INB
0	1	0	1	0	—	—	INA	INC	—	—
0	1	0	1	1	—	—	INA	INC	INB	—
0	1	1	0	0	—	—	—	INC	—	INB
0	1	1	0	1	—	—	—	INC	INB	—
0	1	1	1	0	—	—	—	INC	—	INB
0	1	1	1	1	—	—	—	INC	—	INB
1	0	0	0	0	INA	—	—	—	—	—
1	0	0	0	1	INA	—	—	INC	—	—
1	0	0	1	0	INA	—	—	—	INC	—
1	0	0	1	1	INA	—	—	—	—	—
1	0	1	0	0	INA	—	—	INB/INC	—	—
1	0	1	0	1	INA	—	—	INC	INB	—
1	0	1	1	0	INA	—	—	INC	—	INB

Ordering Information

Orderable Part No.	Package Code	Quantity
R2A30444BX#W0	SWBG0032LA-A	3000 pcs

Notice

1. Descriptions of circuits, software and other related information in this document are provided only to illustrate the operation of semiconductor products and application examples. You are fully responsible for the incorporation of these circuits, software, and information in the design of your equipment. Renesas Electronics assumes no responsibility for any losses incurred by you or third parties arising from the use of these circuits, software, or information.
 2. Renesas Electronics has used reasonable care in preparing the information included in this document, but Renesas Electronics does not warrant that such information is error free. Renesas Electronics assumes no liability whatsoever for any damages incurred by you resulting from errors in or omissions from the information included herein.
 3. Renesas Electronics does not assume any liability for infringement of patents, copyrights, or other intellectual property rights of third parties by or arising from the use of Renesas Electronics products or technical information described in this document. No license, express, implied or otherwise, is granted hereby under any patents, copyrights or other intellectual property rights of Renesas Electronics or others.
 4. You should not alter, modify, copy, or otherwise misappropriate any Renesas Electronics product, whether in whole or in part. Renesas Electronics assumes no responsibility for any losses incurred by you or third parties arising from such alteration, modification, copy or otherwise misappropriation of Renesas Electronics product.
 5. Renesas Electronics products are classified according to the following two quality grades: "Standard" and "High Quality". The recommended applications for each Renesas Electronics product depends on the product's quality grade, as indicated below.
"Standard": Computers; office equipment; communications equipment; test and measurement equipment; audio and visual equipment; home electronic appliances; machine tools; personal electronic equipment; and industrial robots etc.
"High Quality": Transportation equipment (automobiles, trains, ships, etc.); traffic control systems; anti-disaster systems; anti-crime systems; and safety equipment etc.
Renesas Electronics products are neither intended nor authorized for use in products or systems that may pose a direct threat to human life or bodily injury (artificial life support devices or systems, surgical implantations etc.), or may cause serious property damages (nuclear reactor control systems, military equipment etc.). You must check the quality grade of each Renesas Electronics product before using it in a particular application. You may not use any Renesas Electronics product for any application for which it is not intended. Renesas Electronics shall not be in any way liable for any damages or losses incurred by you or third parties arising from the use of any Renesas Electronics product for which the product is not intended by Renesas Electronics.
 6. You should use the Renesas Electronics products described in this document within the range specified by Renesas Electronics, especially with respect to the maximum rating, operating supply voltage range, movement power voltage range, heat radiation characteristics, installation and other product characteristics. Renesas Electronics shall have no liability for malfunctions or damages arising out of the use of Renesas Electronics products beyond such specified ranges.
 7. Although Renesas Electronics endeavors to improve the quality and reliability of its products, semiconductor products have specific characteristics such as the occurrence of failure at a certain rate and malfunctions under certain use conditions. Further, Renesas Electronics products are not subject to radiation resistance design. Please be sure to implement safety measures to guard them against the possibility of physical injury, and injury or damage caused by fire in the event of the failure of a Renesas Electronics product, such as safety design for hardware and software including but not limited to redundancy, fire control and malfunction prevention, appropriate treatment for aging degradation or any other appropriate measures. Because the evaluation of microcomputer software alone is very difficult, please evaluate the safety of the final products or systems manufactured by you.
 8. Please contact a Renesas Electronics sales office for details as to environmental matters such as the environmental compatibility of each Renesas Electronics product. Please use Renesas Electronics products in compliance with all applicable laws and regulations that regulate the inclusion or use of controlled substances, including without limitation, the EU RoHS Directive. Renesas Electronics assumes no liability for damages or losses occurring as a result of your noncompliance with applicable laws and regulations.
 9. Renesas Electronics products and technology may not be used for or incorporated into any products or systems whose manufacture, use, or sale is prohibited under any applicable domestic or foreign laws or regulations. You should not use Renesas Electronics products or technology described in this document for any purpose relating to military applications or use by the military, including but not limited to the development of weapons of mass destruction. When exporting the Renesas Electronics products or technology described in this document, you should comply with the applicable export control laws and regulations and follow the procedures required by such laws and regulations.
 10. It is the responsibility of the buyer or distributor of Renesas Electronics products, who distributes, disposes of, or otherwise places the product with a third party, to notify such third party in advance of the contents and conditions set forth in this document, Renesas Electronics assumes no responsibility for any losses incurred by you or third parties as a result of unauthorized use of Renesas Electronics products.
 11. This document may not be reproduced or duplicated in any form, in whole or in part, without prior written consent of Renesas Electronics.
 12. Please contact a Renesas Electronics sales office if you have any questions regarding the information contained in this document or Renesas Electronics products, or if you have any other inquiries.
- (Note 1) "Renesas Electronics" as used in this document means Renesas Electronics Corporation and also includes its majority-owned subsidiaries.
(Note 2) "Renesas Electronics product(s)" means any product developed or manufactured by or for Renesas Electronics.



SALES OFFICES

Renesas Electronics Corporation

<http://www.renesas.com>

Refer to "<http://www.renesas.com/>" for the latest and detailed information.

Renesas Electronics America Inc.
2880 Scott Boulevard Santa Clara, CA 95050-2554, U.S.A.
Tel: +1-408-588-6000, Fax: +1-408-588-6130

Renesas Electronics Canada Limited
1101 Nicholson Road, Newmarket, Ontario L3Y 9C3, Canada
Tel: +1-905-898-5441, Fax: +1-905-898-3220

Renesas Electronics Europe Limited
Dukes Meadow, Millboard Road, Bourne End, Buckinghamshire, SL8 5FH, U.K.
Tel: +44-1628-651-700, Fax: +44-1628-651-804

Renesas Electronics Europe GmbH
Arcadiastrasse 10, 40472 Düsseldorf, Germany
Tel: +49-211-65030, Fax: +49-211-6503-1327

Renesas Electronics (China) Co., Ltd.
7th Floor, Quantum Plaza, No.27 ZhiChunLu Haidian District, Beijing 100083, P.R.China
Tel: +86-10-8235-1155, Fax: +86-10-8235-7679

Renesas Electronics (Shanghai) Co., Ltd.
Unit 204, 205, AZIA Center, No.1233 Lujiazui Ring Rd., Pudong District, Shanghai 200120, China
Tel: +86-21-5877-1818, Fax: +86-21-6887-7858 / -7898

Renesas Electronics Hong Kong Limited
Unit 1601-1613, 16/F., Tower 2, Grand Century Place, 193 Prince Edward Road West, Mongkok, Kowloon, Hong Kong
Tel: +852-2886-9318, Fax: +852 2886-9022/9044

Renesas Electronics Taiwan Co., Ltd.
13F, No. 363, Fu Shing North Road, Taipei, Taiwan
Tel: +886-2-8175-9600, Fax: +886 2-8175-9670

Renesas Electronics Singapore Pte. Ltd.
80 Bendemeer Road, Unit #06-02 Hyflux Innovation Centre Singapore 339949
Tel: +65-6213-0200, Fax: +65-6213-0300

Renesas Electronics Malaysia Sdn.Bhd.
Unit 906, Block B, Menara Amcorp, Amcorp Trade Centre, No. 18, Jln Persiaran Barat, 46050 Petaling Jaya, Selangor Darul Ehsan, Malaysia
Tel: +60-3-7955-3390, Fax: +60-3-7955-9510

Renesas Electronics Korea Co., Ltd.
11F., Samik Laved. or Bldg., 720-2 Yeoksam-Dong, Kangnam-Ku, Seoul 135-080, Korea
Tel: +82-2-558-3737, Fax: +82-2-558-5141