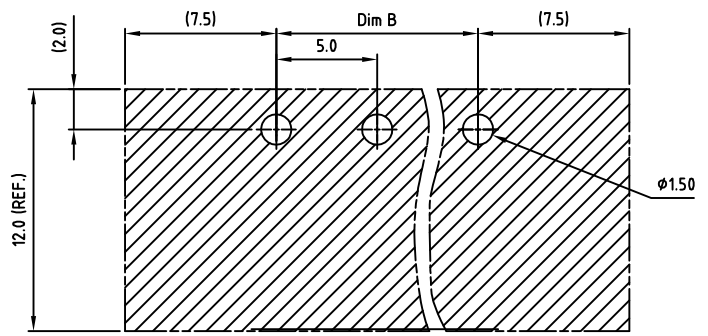
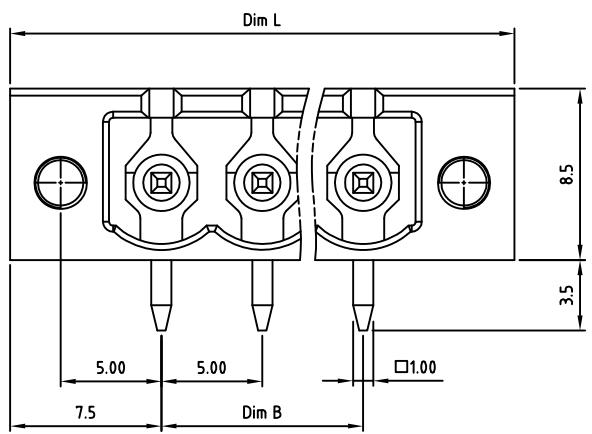
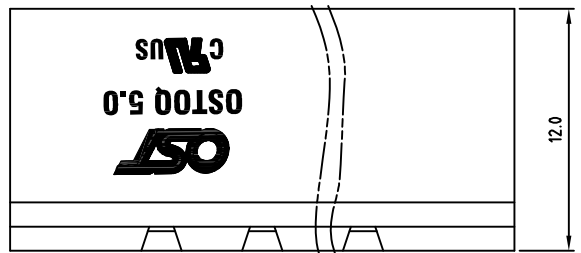
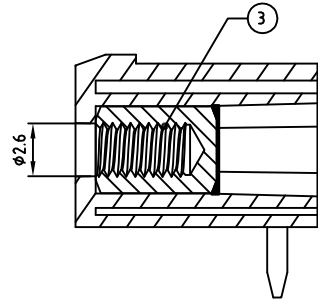
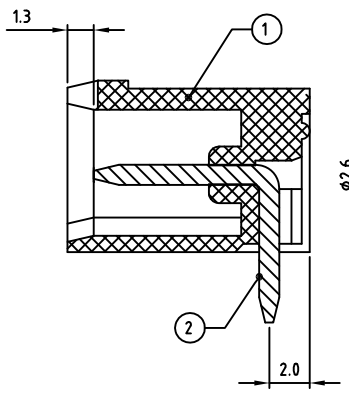


Transfer or duplication of this document as well as the utilisation or communication of its content are not permitted unless express consent is granted. Violations give rise to claims for damages. All rights reserved in case of patent, utility model or design patent registrations.



RECOMMENDED PCB LAYOUT



Technical data

1. Nominal voltage: 300V/15A
PITCH: 5.0mm
2. Insulation Withstanding Voltage:
AC 1600V/MIN
3. Insulation Resistance:
1000M Ω or more at DC500V
4. Operating temperature range: -40°C -115°C
5. Soldering temperature range: 250°C \pm 10°C / 5sec
6. Safety approval:
7. RoHS Compliance
8. Undimensioned Tolerances:

| | | |
|--------------------------|------------|------------|
| Dim.L=(P+2)x5.0 | | |
| Dim.B=(P-1)x5.0 | | |
| P= number of poles 2-24P | | |
| 0-30mm | Dim B | Dim L |
| over 30mm-60mm | ± 0.15 | ± 0.20 |
| over 60mm-90mm | ± 0.20 | ± 0.25 |
| over 90mm | ± 0.25 | ± 0.30 |
| | ± 0.30 | ± 0.40 |

Part No.:

OSTOQXX7551

| | |
|--------------|---------------------|
| No. of Poles | COLOR |
| 02 2 Poles | 0: Black |
| 03 3 Poles | 2: Red |
| ... | 3: Orange |
| 24 24 Poles | 4: Yellow |
| | 5: Green (Standard) |
| | 6: Blue |
| | 8: Grey |

Nonstandard colors
Mins could apply

| 3 | FLANGE NUT | BRASS | | 2 |
|------|--------------|--------------|------------|---|
| 2 | PIN | BRASS | TIN PLATED | P |
| 1 | BODY | PA66 UL94V-0 | | 1 |
| ITEM | NAME OF PART | MATERIAL | NOTES | Q'TY |
| DWG. | Marvin Zhang | DATE | 2016.05.21 | UNITS: MM SHEET: 1 OF 1 Tolerance |
| CHK. | Marvin Zhang | DATE | 2016.05.21 | SCALE: NONE 4:1 (:) REV.: A |
| APP. | | DATE | | TITLE: OSTOQ 5.0 Series W/Flange type Right-angle (90D) |
| | | | | PART NO. OSTOQXX7551 |
| | | | | DWG NO. OSTOQXX7551.dwg |

| | | | | |
|--|------|-------------|------|------|
| | SIGN | DESCRIPTION | CHK. | DATE |
|--|------|-------------|------|------|



ON-SHORE TECHNOLOGY, INC.