



## Product Compliance


[For compliance documentation, visit the product page on TE.com>](#)

EU RoHS Directive 2011/65/EU	Compliant
EU ELV Directive 2000/53/EC	Compliant
China RoHS 2 Directive MIIT Order No 32, 2016	No Restricted Materials Above Threshold
EU REACH Regulation (EC) No. 1907/2006	Current ECHA Candidate List: JUNE 2023 (235) Candidate List Declared Against: JAN 2023 (233) Does not contain REACH SVHC
Halogen Content	BFR/CFR/PVC Free, but Br/Cl >900 ppm in other sources.
Solder Process Capability	Reflow solder capable to 260°C

### Product Compliance Disclaimer

This information is provided based on reasonable inquiry of our suppliers and represents our current actual knowledge based on the information they provided. This information is subject to change. The part numbers that TE has identified as EU RoHS compliant have a maximum concentration of 0.1% by weight in homogenous materials for lead, hexavalent chromium, mercury, PBB, PBDE, DBP, BBP, DEHP, DIBP, and 0.01% for cadmium, or qualify for an exemption to these limits as defined in the Annexes of Directive 2011/65/EU (RoHS2). Finished electrical and electronic equipment products will be CE marked as required by Directive 2011/65/EU. Components may not be CE marked. Additionally, the part numbers that TE has identified as EU ELV compliant have a maximum concentration of 0.1% by weight in homogenous materials for lead, hexavalent chromium, and mercury, and 0.01% for cadmium, or qualify for an exemption to these limits as defined in the Annexes of Directive 2000/53/EC (ELV). Regarding the REACH Regulation, the information TE provides on SVHC in articles for this part number is based on the latest European Chemicals Agency (ECHA) 'Guidance on requirements for substances in articles' posted at this URL: <https://echa.europa.eu/guidance-documents/guidance-on-reach>

## Compatible Parts

 <p>TE Part # 1-1825058-9 ADE08S04=DIP SWTCH,EXT,SMT-GW</p>	 <p>TE Part # 1825058-7 ADE04S04=DIP SWTCH,EXT,SMT-GW</p>	 <p>TE Part # 2-1825058-5 ADE10S04=DIP SWTCH,EXT,SMT-GW</p>	 <p>TE Part # 4-1825058-0 ADE10STR04</p>
--	--	--	---

## Customers Also Bought



TE Part #1473149-4  
SEMI-HARD TRAY ASSY DDR2  
SODIMM 5.2H ST



TE Part #2176083-7  
EP 5W (S) 100R 5%



TE Part #1-1825058-9  
ADE08S04=DIP SWTCH,EXT,SMT-GW



TE Part #1734248-4  
1.0 FPC, ZIF V/T, SMT, 4P



TE Part #5-147278-2  
03 MTE HDR SRRA SFMNT .100CL



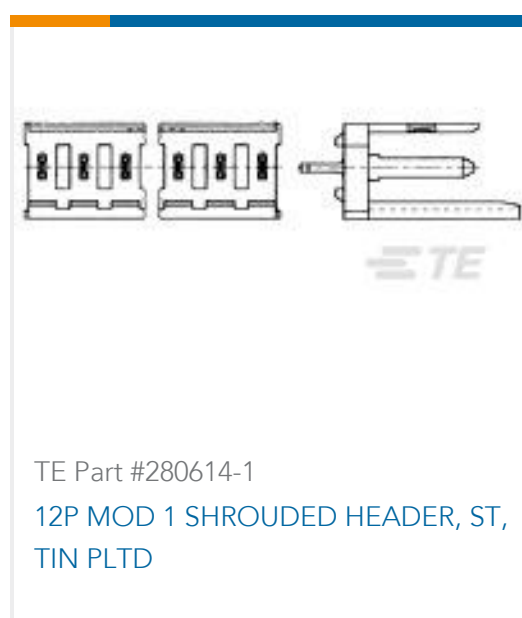
TE Part #280377-2  
2P MODU II SHRD HDR,RT ANG, 0.38  
AU



TE Part #5-2176087-4  
RP 1J 0.166W 249R 0.1% 25PPM 1K RL



TE Part #1879350-3  
RR01 5% R27 AMMO



TE Part #280614-1  
12P MOD 1 SHROUDED HEADER, ST,  
TIN PLTD

## Documents

### Product Drawings

[ADE06S04=DIP SWTCH,EXT,SMT-GW](#)

English

### CAD Files

Customer View Model

[ENG\\_CVM\\_CVM\\_1-1825058-3\\_C.3d\\_igs.zip](#)

English

Customer View Model

[ENG\\_CVM\\_CVM\\_1-1825058-3\\_C.3d\\_stp.zip](#)

English

Customer View Model

[ENG\\_CVM\\_CVM\\_1-1825058-3\\_C.2d\\_dxf.zip](#)

English

[3D PDF](#)

3D

By downloading the CAD file I accept and agree to the [Terms and Conditions](#) of use.

### Datasheets & Catalog Pages



SWITCHES\_CORE\_PROGRAM\_CATALOG

English