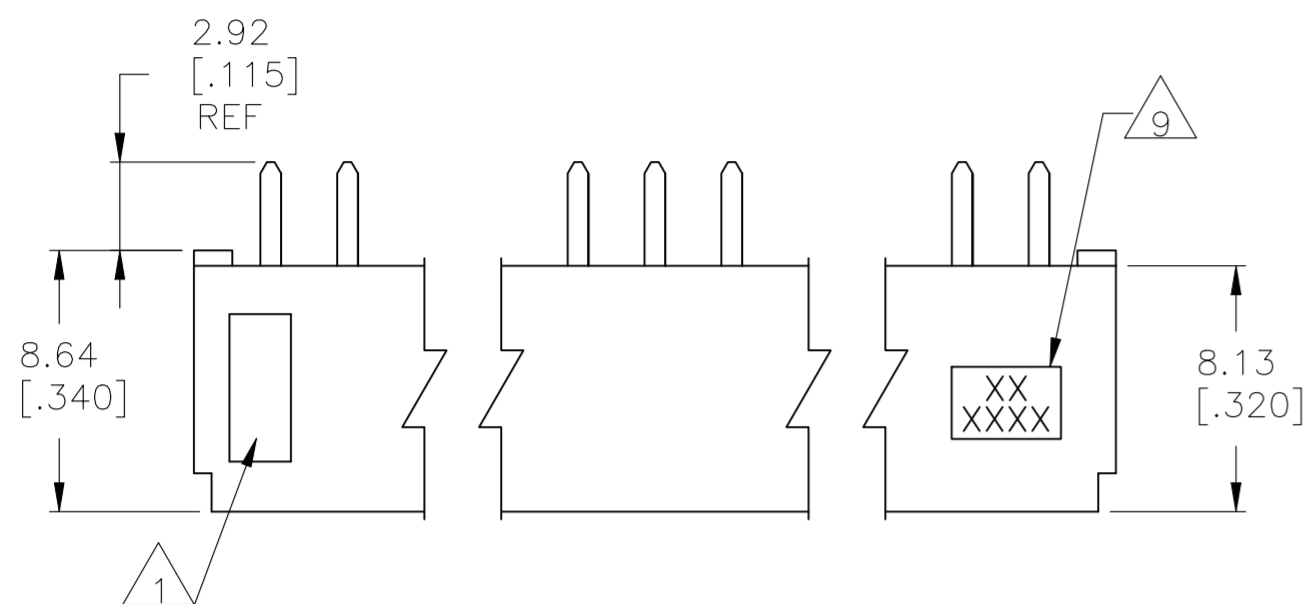
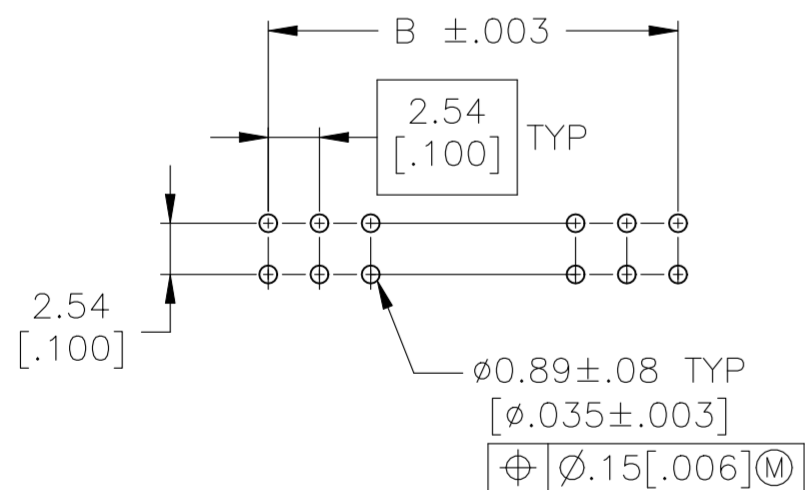
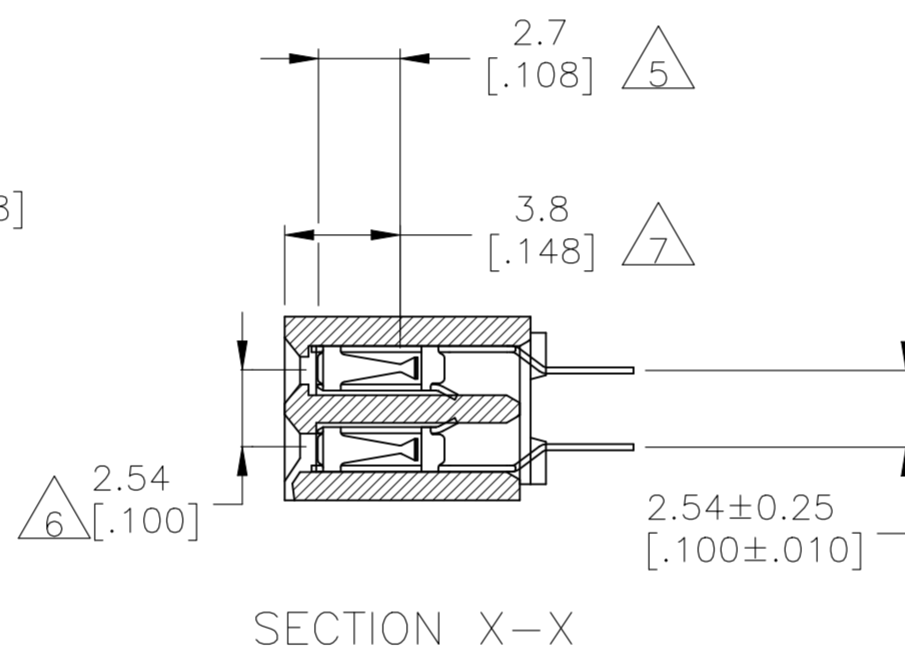
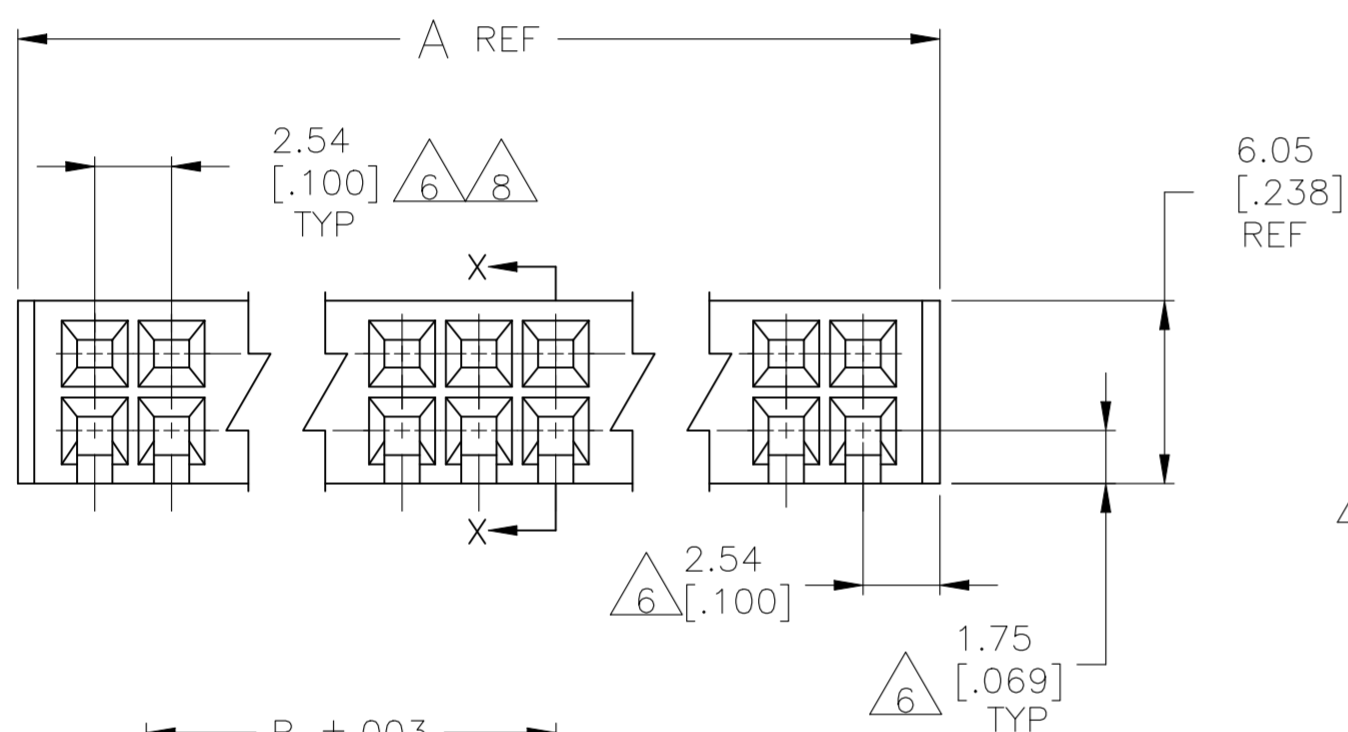


REVISIONS				
P	LTR	DESCRIPTION	DATE	DWN APVD
G		RESIN SUPPLIER CHANGE FOR THE HOUSING	09NOV2021	SCB KJK



- 1 TYCO LOGO AND CSA LOGO ARE MOLDED INTO THE HOUSING.
- 2 HOUSING: FLAME RETARDANT GLASS FILLED POLYESTER, COLOR-BLACK,
- 3 CONTACT: PHOS. BRONZE
- 4 DUPLEX PLATED: .000030 GOLD IN CONTACT AREA, .000150-.000300 BRIGHT TIN-LEAD ON SOLDER LEADS, ALL OVER .000050 MIN. NICKEL.
- 5 POINT OF MEASUREMENT DIMENSION FOR PLATING THICKNESS (INSIDE CONTACT BEAMS).
- 6 THESE DIMS. PERTAIN TO CAVITY Ø'S ONLY, NOT TO CONTACT LOCATIONS
- 7 POINT OF CONTACT DIMENSION.
- 8 TOLERANCE IS NON-CUMULATIVE.
- 9 DATE CODE AND PART NUMBER ARE MARKED IN APPROXIMATE LOCATION SHOWN.
- 10 DUPLEX PLATED: .000030 GOLD IN CONTACT AREA, .000150-.000300 MATTE TIN ON SOLDER LEADS, ALL OVER .000050 MIN. NICKEL.
- 11 ROHS 2002/95/EC COMPLIANT.



RECOMMENDED P.C. BOARD LAYOUT

10	106.68 [4.200]	111.76 [4.400]	86	5-535966-1
4	106.68 [4.200]	111.76 [4.400]	86	535966-1
FINISH	B	A	NO OF POSN	PART NUMBER

THIS DRAWING IS A CONTROLLED DOCUMENT.		DWN KATE HELM 26APR90	TE TE Connectivity	
DIMENSIONS: mm [INCHES]		CHK DOUG SARVER 08MAY90		
TOLERANCES UNLESS OTHERWISE SPECIFIED:		APVD RON FELIX 08MAY90	NAME RCPT ASSY,MOD II,VERT MOUNT .100 X .100 SHORT-POINT OF CONTACT	
0 PLC ± -		PRODUCT SPEC	SIZE A2	
1 PLC ± -		APPLICATION SPEC	CAGE CODE 00779	
2 PLC ± .13 [.005]		WEIGHT -	DRAWING NO C=535966	
3 PLC ± -		CUSTOMER DRAWING	RESTRICTED TO -	
4 PLC ± -		SCALE 4:1	SHEET 1 OF 1	
ANGLES ± -		REV G		
FINISH 2 3				
FINISH 4 10				