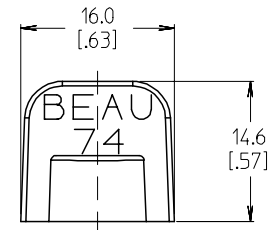
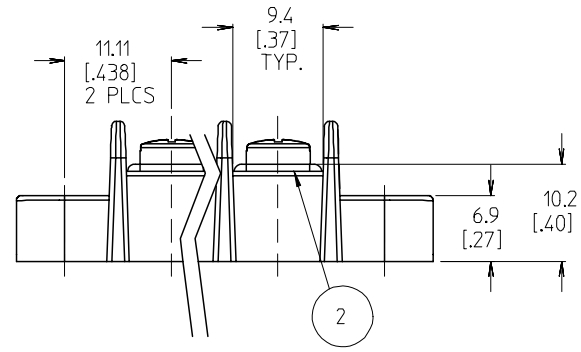


REF -50 OPTION SCREW
(WHERE APPLICABLE)



NOTES:

1. MATERIAL: SEE TABLE
2. INCH DIMENSIONS ARE SHOWN IN BRACKETS [XXX].
3. "XX" REFERS TO THE NUMBER OF CIRCUITS
4. ALL COMPONENTS ARE ROHS COMPLIANT.

| ITEM | QTY | DESCRIPTION | MATERIAL | FINISH |
|------|------|---------------------------------------------|---------------|----------------------|
| 5 | "XX" | SCREW #6-32X.250 PAN HD W/WSHR (-50 OPTION) | STEEL | ZINC, CLEAR CHROMATE |
| 4 | "XX" | SCREW #6-32X.250 BDG HD (-49 OPTION) | BRASS | NICKEL |
| 3 | "XX" | SCREW #6-32X.250 BDG HD (STANDARD) | STEEL | ZINC, CLEAR CHROMATE |
| 2 | "XX" | TERMINAL, CB 6C SN/B | BRASS | TIN |
| 1 | 1 | SR BTS INSULATOR MO MTG | THERMOPLASTIC | BLACK |

INITIAL RELEASE
EC NO: ETC2007-0010
DRW: NEHLE 2006/08/07
CHKD: JMACNEIL 2006/08/08
APPR: RDEROSS 2006/08/09

QUALITY SYMBOLS
 = 0
 = 0

| | GENERAL TOLERANCES (UNLESS SPECIFIED) | |
|---------------|---------------------------------------|---------|
| | mm | INCH |
| 4 PLACES | ± .005 | ± .0005 |
| 3 PLACES | ± .005 | ± .0005 |
| 2 PLACES | ± 0.13 | ± .01 |
| 1 PLACE | ± 0.3 | ± .01 |
| ANGULAR ± 2 ° | | |

| DIMENSION STYLE | |
|------------------------|---------------------------|
| MM/IN | SCALE |
| DRAWN BY: EHILE | DATE: 2006/07/06 |
| CHECKED BY: JMACNEIL | DATE: 2006/07/06 |
| APPROVED BY: RDEROSS | DATE: 2006/07/06 |
| MATERIAL NO. SEE CHART | DOCUMENT NO. SD-38740-003 |

| SCALE | DESIGN UNITS | THIRD ANGLE PROJECTION |
|----------------------------------------------|--------------|------------------------|
| 2:1 | INCH | |
| TITLE: 11.11MM [.438] SR BTS CB ASSY, W/ MTG | | |
| MOLEX INCORPORATED | | |
| SHEET NO. 1 OF 2 | | |

| # OF CIRCUITS "XX" | DIM. "A" | | DIM. "B" | | DIM. "C" | | ASSEMBLY MATERIAL NO. (STANDARD) | ASSEMBLY MATERIAL NO. (-49 OPT) | ASSEMBLY MATERIAL NO. (-50 OPT) |
|--------------------|----------|-------|----------|--------|----------|--------|----------------------------------|---------------------------------|---------------------------------|
| | mm | in | mm | in | mm | in | | | |
| 02 | 43.5 | 1.71 | 11.11 | 0.438 | 33.34 | 1.313 | 387400102 | 387400702 | 387401302 |
| 03 | 54.6 | 2.15 | 22.23 | 0.875 | 44.45 | 1.750 | 387400103 | 387400703 | 387401303 |
| 04 | 65.7 | 2.59 | 33.34 | 1.313 | 55.56 | 2.188 | 387400104 | 387400704 | 387401304 |
| 05 | 76.8 | 3.03 | 44.45 | 1.750 | 66.68 | 2.625 | 387400105 | 387400705 | 387401305 |
| 06 | 87.9 | 3.46 | 55.56 | 2.188 | 77.79 | 3.063 | 387400106 | 387400706 | 387401306 |
| 07 | 99.1 | 3.90 | 66.68 | 2.625 | 88.90 | 3.500 | 387400107 | 387400707 | 387401307 |
| 08 | 110.2 | 4.34 | 77.79 | 3.063 | 100.01 | 3.938 | 387400108 | 387400708 | 387401308 |
| 09 | 121.3 | 4.78 | 88.90 | 3.500 | 111.13 | 4.375 | 387400109 | 387400709 | 387401309 |
| 10 | 132.4 | 5.21 | 100.01 | 3.938 | 122.24 | 4.813 | 387400110 | 387400710 | 387401310 |
| 11 | 143.5 | 5.65 | 111.13 | 4.375 | 133.35 | 5.250 | 387400111 | 387400711 | 387401311 |
| 12 | 154.6 | 6.09 | 122.24 | 4.813 | 144.46 | 5.688 | 387400112 | 387400712 | 387401312 |
| 13 | 165.7 | 6.53 | 133.35 | 5.250 | 155.58 | 6.125 | 387400113 | 387400713 | 387401313 |
| 14 | 176.8 | 6.96 | 144.46 | 5.688 | 166.69 | 6.563 | 387400114 | 387400714 | 387401314 |
| 15 | 188.0 | 7.40 | 155.58 | 6.125 | 177.80 | 7.000 | 387400115 | 387400715 | 387401315 |
| 16 | 199.1 | 7.84 | 166.69 | 6.563 | 188.91 | 7.438 | 387400116 | 387400716 | 387401316 |
| 17 | 210.2 | 8.28 | 177.80 | 7.000 | 200.03 | 7.875 | 387400117 | 387400717 | 387401317 |
| 18 | 221.3 | 8.71 | 188.91 | 7.438 | 211.14 | 8.313 | 387400118 | 387400718 | 387401318 |
| 19 | 232.4 | 9.15 | 200.03 | 7.875 | 222.25 | 8.750 | 387400119 | 387400719 | 387401319 |
| 20 | 243.5 | 9.59 | 211.14 | 8.313 | 233.36 | 9.188 | 387400120 | 387400720 | 387401320 |
| 21 | 254.6 | 10.03 | 222.25 | 8.750 | 244.48 | 9.625 | 387400121 | 387400721 | 387401321 |
| 22 | 265.7 | 10.46 | 233.36 | 9.188 | 255.59 | 10.063 | 387400122 | 387400722 | 387401322 |
| 23 | 276.9 | 10.90 | 244.48 | 9.625 | 266.70 | 10.500 | 387400123 | 387400723 | 387401323 |
| 24 | 288.0 | 11.34 | 255.59 | 10.063 | 277.81 | 10.938 | 387400124 | 387400724 | 387401324 |
| 25 | 299.1 | 11.78 | 266.70 | 10.500 | 288.93 | 11.375 | 387400125 | 387400725 | 387401325 |
| 26 | 310.2 | 12.21 | 277.81 | 10.938 | 300.04 | 11.813 | 387400126 | 387400726 | 387401326 |
| 27 | 321.3 | 12.65 | 288.93 | 11.375 | 311.15 | 12.250 | 387400127 | 387400727 | 387401327 |
| 28 | 332.4 | 13.09 | 300.04 | 11.813 | 322.26 | 12.688 | 387400128 | 387400728 | 387401328 |
| 29 | 343.5 | 13.53 | 311.15 | 12.250 | 333.38 | 13.125 | 387400129 | 387400729 | 387401329 |
| 30 | 354.6 | 13.96 | 322.26 | 12.688 | 344.49 | 13.563 | 387400130 | 387400730 | 387401330 |

| | | | | | | | | | |
|-------------------------------------------------------------------------------------------------------------------------------|-------------------------------|---------------------------------------|-----------------------|-------------------------------------------------------------------------------------------------------------------------------|--------------------|---------------------------------------------------|----------------------|------------------------|--|
| INITIAL RELEASE EC NO: ETC2007-0010 DRW: NEHLE 2006/08/07 CHKD: JMACNEIL 2006/08/08 APPR: RDEROSS 2006/08/09 A | QUALITY SYMBOLS ▽=0 ▽=0 | GENERAL TOLERANCES (UNLESS SPECIFIED) | | DIMENSION STYLE MM/IN | | SCALE 2:1 | DESIGN UNITS INCH | THIRD ANGLE PROJECTION | |
| | | 4 PLACES ± --- ± --- | 3 PLACES ± --- ± .005 | DRAWN BY EHILE | DATE 2006/07/06 | TITLE 11.11MM [.438] SR BTS CB ASSY, W/ MTG | | | |
| | | 2 PLACES ± 0.13 ± .01 | 1 PLACE ± 0.3 ± --- | CHECKED BY JMACNEIL | DATE 2006/07/06 | | | | |
| | | ANGULAR ± 2 ° | | APPROVED BY RDEROSS | DATE 2006/07/06 | MOLEX INCORPORATED | | | |
| DRAFT WHERE APPLICABLE MUST REMAIN WITHIN DIMENSIONS | | MATERIAL NO. SEE CHART | | DOCUMENT NO. SD-38740-003 | | SHEET NO. 2 OF 2 | | | |
| | | SIZE B | | THIS DRAWING CONTAINS INFORMATION THAT IS PROPRIETARY TO MOLEX INCORPORATED AND SHOULD NOT BE USED WITHOUT WRITTEN PERMISSION | | | | | |