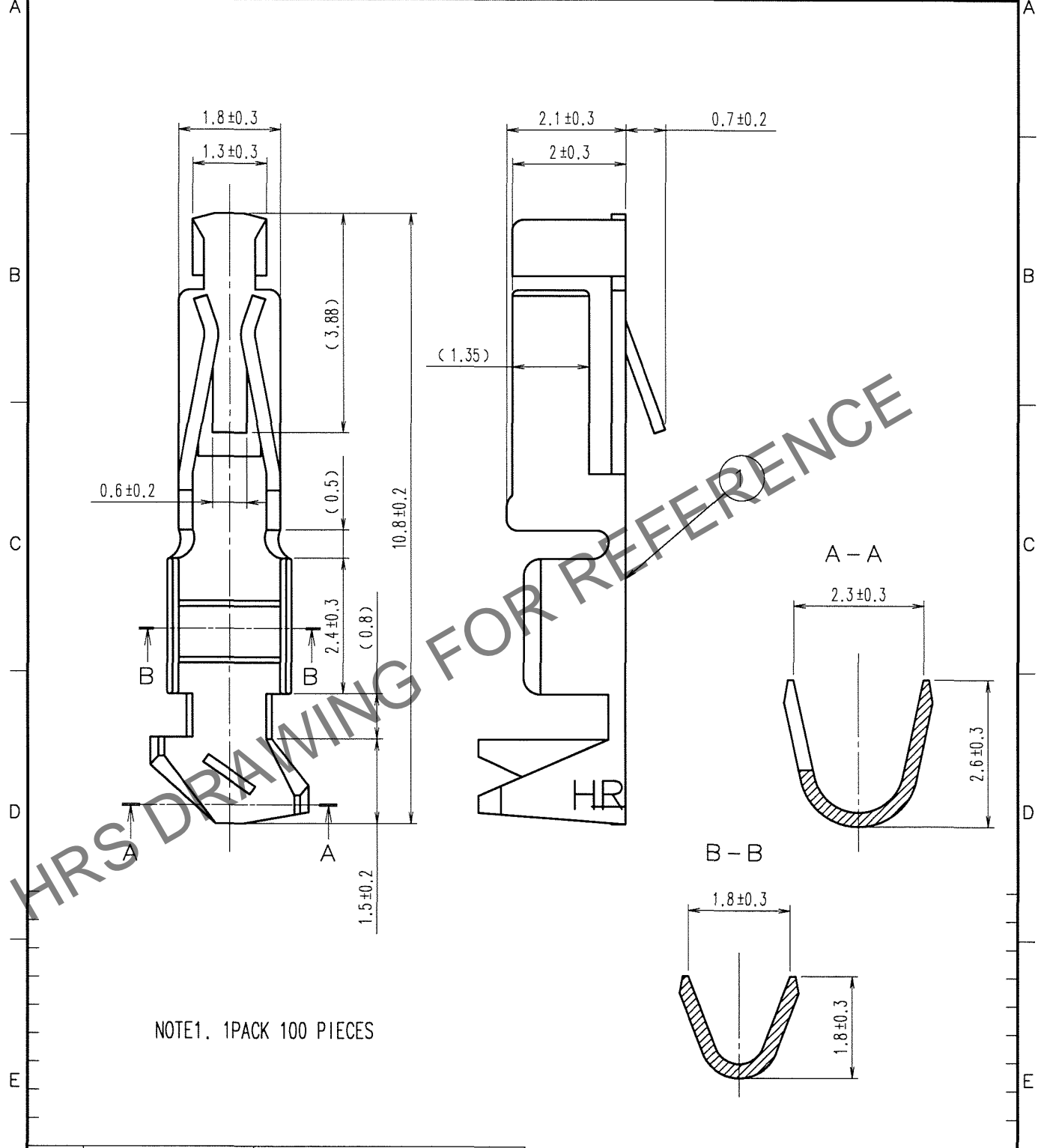


Feb. 1. 2024 Copyright 2024 HIROSE ELECTRIC CO., LTD. All Rights Reserved.
In case of consideration for using Automotive equipment / device which demand high reliability, kindly contact our sales window correspondents.

1		2			3			4		
COUNT	DESCRIPTION OF REVISIONS	BY	CHKD	DATE	COUNT	DESCRIPTION OF REVISIONS	BY	CHKD	DATE	
△				..	△				..	
△				..	△				..	
△				..	△				..	



NOTE1. 1PACK 100 PIECES

1	PHOSPHOR BRONZE	TIN PLATED 2μm min			
NO.	MATERIAL	FINISH, REMARKS	NO.	MATERIAL	FINISH, REMARKS

CODE NO. (OLD)	DRAWN	DESIGNED	CHECKED	APPROVED	RELEASED
	A.MIYAZAKI	A.MIYAZAKI	<i>H. Umehara</i>	<i>J. Ona</i>	
	'06.08.03	'06.08.03	<i>06.08.05</i>	<i>06.08.07</i>	

 SCALE 5 : 1 UNITS mm	DRAWING NO.	PART NO.
	EDC4-008108-02	HNC-2.5S-D-A(15)
	HIROSE ELECTRIC CO., LTD.	CODE NO. CL218-0037-5-15

1/1