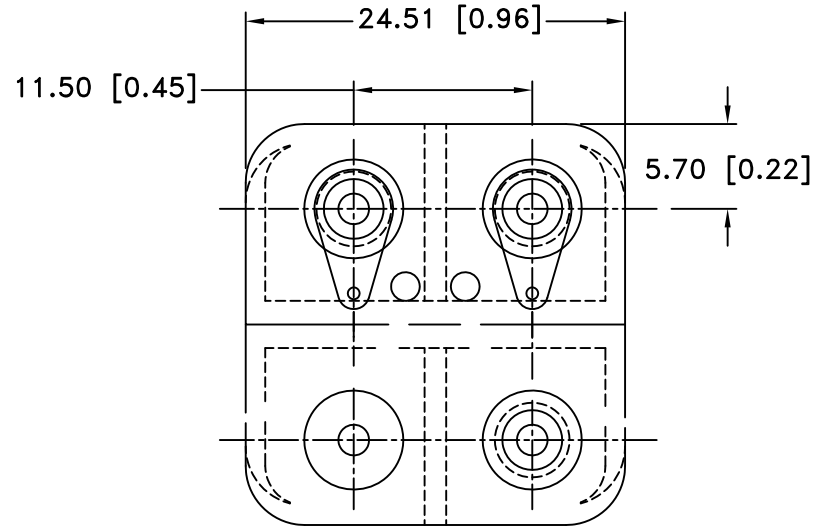
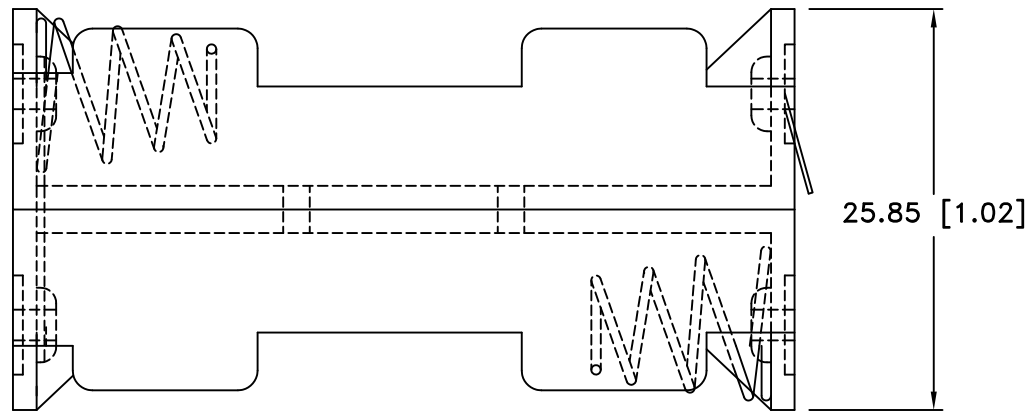
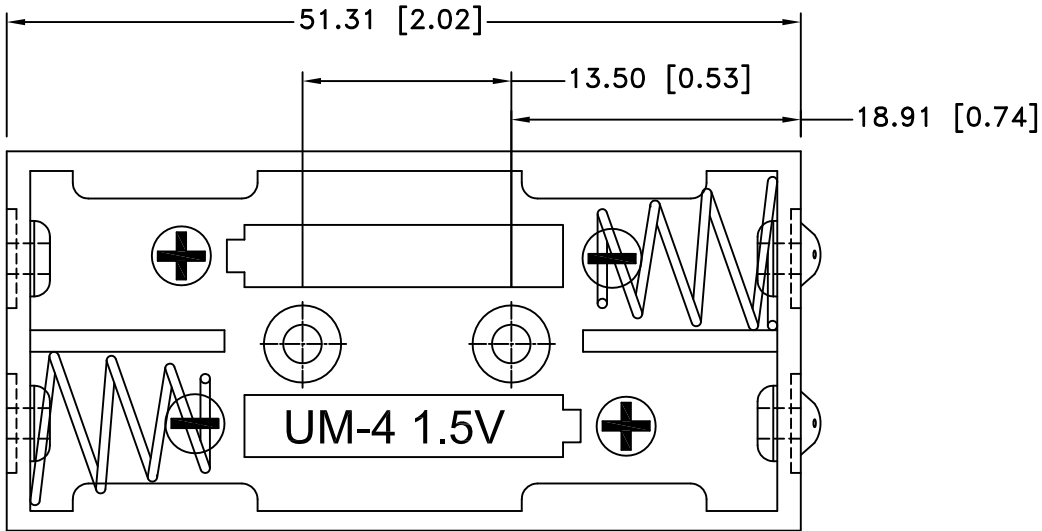


| Date     | SYM | REVISION RECORD  | AUTH | DR.  | CK. |
|----------|-----|--|------|------|-----|
| 11/07/14 | C   | UPDATED TO ROHS 2 COMPLIANT  | T.B. | B.S. |     |
| 07/07/17 | D   | DIM. 18.91 WAS 18.71<br>DIM. 13.50 WAS 13.49<br>DIM. 25.85 WAS 25.91<br>DIM. 11.50 WAS 11.80<br>DIM. 5.70 WAS 5.49 | T.B. | B.S. |     |
| 07/17/17 | E   | REMOVED DIM. Ø2.00   | T.B. | B.S. |     |




NOTES:

1. MATERIAL:

HOUSING : BLACK POLYPROPYLENE  
 FLAMMABILITY RATING -UL94-HB, UL FILE NO. E216959  
 TEMPERATURE RANGE: -10°C to +100°C  
 RIVETS: BRASS, NICKEL PLATED.  
 SPRING: SPRING STEEL, NICKEL PLATED.  
 LUGS: BRASS, NICKEL PLATED  
 CONTACT RESISTANCE: UNDER 50mΩ FOR +/- CONTACTS PER  
 EIA-540J000

ROHS 2 COMPLIANT.

|                                |   |                            |                  |
|--------------------------------|---|----------------------------|------------------|
| Tolerance<br>(Except as noted) |  <b>Memory Protection Devices, Inc</b><br>200 Broad Hollow Road, Farmingdale, New York 11735 | Scale                      | Drawn By B.S.    |
|                                |   |                            | Approved By T.B. |
| decimal<br>±.5 (.020)          | Title<br>FOUR "AAA" CELL HOLDER WITH SOLDER LUGS  | Date<br>07/17/17           |                  |
| Fractional<br>± .8 (.030)      |   | Drawing Number<br>BH24AAAL |                  |
| Angular<br>± 3°                |   |                            |                  |