



CGS | CGS RLW73

TE Internal #: 2176550-6

.027  $\Omega$ , Thick Film, Current Sensing Resistor, 1 %, 2 Termination, 1225, Taped & Reeled, 3 W,  $\pm 600$  ppm/ $^{\circ}\text{C}$ , Solder, Height .024 in [.6 mm], CGS RLW73

[View on TE.com >](#)

Passive Components > Resistors > Surface Mount Resistors



Resistor Type: **Current Sensing Resistor**

Number of Terminations: **2**

Package Size Code: **1225**

Packaging Method: **Taped & Reeled**

Passive Component Tolerance: **1 %**

## Features

### Product Type Features

Resistor Type	Current Sensing Resistor
Package Size Code	1225
Element Type	Thick Film

### Configuration Features

Number of Resistors	1
---------------------	---

### Electrical Characteristics

Passive Component Tolerance	1 %
Resistance Class	Up to 1k $\Omega$
Resistance Value	.027 $\Omega$
Power Rating	3 W

### Termination Features

Number of Terminations	2
Surface Mount Resistor Termination Type	Solder

### Dimensions

Product Height	.6 mm[.024 in]
Product Length	3.1 mm[.122 in]
Product Width	6.3 mm[.248 in]

### Usage Conditions

Operating Temperature Range	-55 – 155 $^{\circ}\text{C}$
Temperature Coefficient	$\pm 600$ ppm/ $^{\circ}\text{C}$

### Packaging Features

Packaging Method	Taped & Reeled
------------------	----------------

### Product Compliance

[For compliance documentation, visit the product page on TE.com>](#)

EU RoHS Directive 2011/65/EU	Compliant
EU ELV Directive 2000/53/EC	Compliant
China RoHS 2 Directive MIIT Order No 32, 2016	No Restricted Materials Above Threshold
EU REACH Regulation (EC) No. 1907/2006	Current ECHA Candidate List: JUNE 2023 (235) Candidate List Declared Against: JUNE 2023 (235) Does not contain REACH SVHC
Halogen Content	BFR/CFR/PVC Free, but Br/Cl >900 ppm in other sources.
Solder Process Capability	Reflow solder capable to 260 $^{\circ}\text{C}$

#### Product Compliance Disclaimer

This information is provided based on reasonable inquiry of our suppliers and represents our current actual knowledge based on the information they provided. This information is subject to change. The part numbers that TE has identified as EU RoHS compliant have a maximum concentration of 0.1% by weight in homogenous materials for lead, hexavalent chromium, mercury, PBB, PBDE, DBP, BBP, DEHP, DIBP, and 0.01% for cadmium, or qualify for an exemption to these limits as defined in the Annexes of Directive 2011/65/EU (RoHS2). Finished electrical and electronic equipment products will be CE marked as required by Directive 2011/65/EU. Components may not be CE marked. Additionally, the part numbers that TE has identified as EU ELV compliant have a maximum concentration of 0.1% by weight in homogenous materials for lead, hexavalent chromium, and mercury, and 0.01% for cadmium, or qualify for an exemption to these limits as defined in the Annexes of Directive 2000/53/EC (ELV). Regarding the REACH Regulation, the information TE provides on SVHC in articles for this part number is based on the latest European Chemicals Agency (ECHA) 'Guidance on requirements for substances in articles' posted at this URL: <https://echa.europa.eu/guidance-documents/guidance-on-reach>

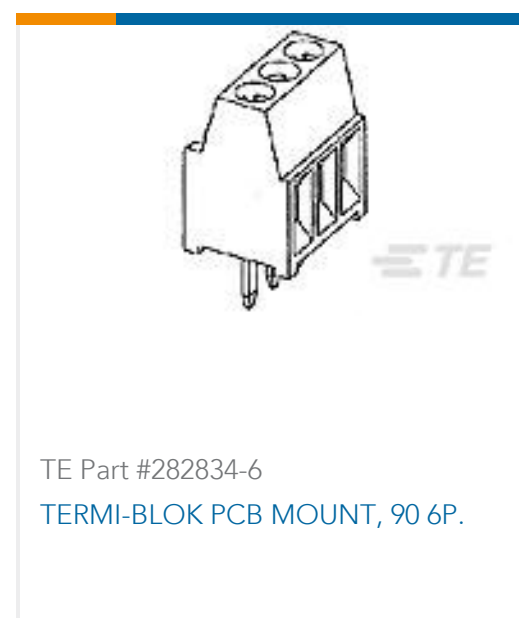
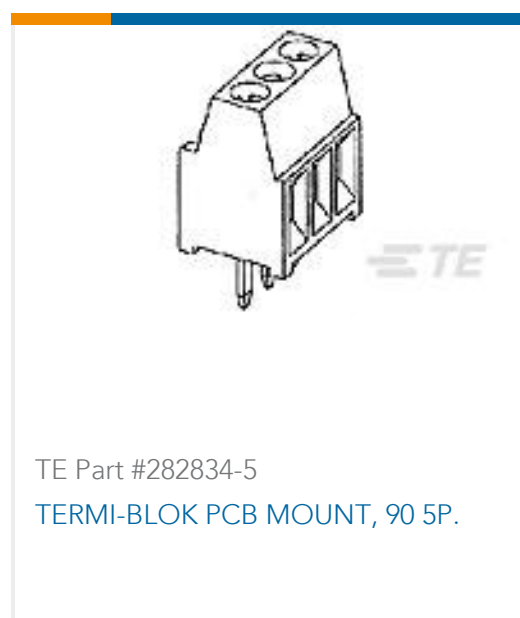
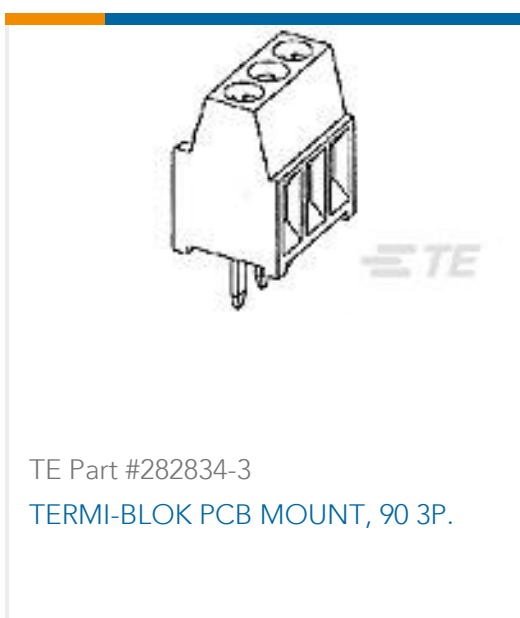
### Compatible Parts



### Also in the Series | CGS RLW73



### Customers Also Bought



### Documents

#### Product Drawings

[RLW73P A3 1% R027 600ppm 4k RL](#)

English

#### CAD Files

[Customer View Model](#)

[ENG\\_CVM\\_CVM\\_2176550-6\\_BA.3d\\_igs.zip](#)



English

**Customer View Model**

[ENG\\_CVM\\_CVM\\_2176550-6\\_BA.3d\\_stp.zip](#)

English

**Customer View Model**

[ENG\\_CVM\\_CVM\\_2176550-6\\_BA.2d\\_dxf.zip](#)

English

**3D PDF**

3D

By downloading the CAD file I accept and agree to the [Terms and Conditions](#) of use.

## Datasheets & Catalog Pages

[CGS Wide Terminal Current Sense Resistor RLW73](#)

English

[Wide Terminal Current Sense Resistor - Type RLW73 Series](#)

English