



Kilovac | Kilovac K43

TE Internal #: 1-1618240-4

High Voltage Relays, 10VDC Contact Voltage Rating, Contact Arrangement 1 Form B, SPST-NC, 1 N/C, Turret Terminals, High Voltage Tabs, Kilovac K43

[View on TE.com >](#)

Relays & Contactors > Relays > High Voltage Relays



Contact Voltage Rating: **10 VDC**

Contact Arrangement: **1 Form B, SPST-NC, 1 N/C**

High Voltage Connection (Coil): **Turret Terminals**

High Voltage Connection (Power): **High Voltage Tabs**

Power Switching: **Yes**

### Features

#### Product Type Features

RF Rated	Yes
----------	-----

#### Configuration Features

Power Switching	Yes
-----------------	-----

#### Electrical Characteristics

Contact Voltage Rating	10 VDC
Coil Voltage (Max)	12 VDC

#### Contact Features

Contact Arrangement	1 Form B, SPST-NC, 1 N/C
Contact Current Rating (Max)	25 A

#### Termination Features

High Voltage Connection (Coil)	Turret Terminals
High Voltage Connection (Power)	High Voltage Tabs
Termination Style	Turret Terminals

#### Mechanical Attachment

High Voltage Relay Mounting Type	Flanged
----------------------------------	---------

### Product Compliance

[For compliance documentation, visit the product page on TE.com>](#)



EU RoHS Directive 2011/65/EU	Compliant
EU ELV Directive 2000/53/EC	Not Compliant
China RoHS 2 Directive MIIT Order No 32, 2016	No Restricted Materials Above Threshold
EU REACH Regulation (EC) No. 1907/2006	Current ECHA Candidate List: JUNE 2023 (235) Candidate List Declared Against: JAN 2022 (223) Does not contain REACH SVHC
Halogen Content	Low Halogen - Br, Cl, F, I < 900 ppm per homogenous material. Also BFR/CFR/PVC Free
Solder Process Capability	Not lead free process capable

Product Compliance Disclaimer

This information is provided based on reasonable inquiry of our suppliers and represents our current actual knowledge based on the information they provided. This information is subject to change. The part numbers that TE has identified as EU RoHS compliant have a maximum concentration of 0.1% by weight in homogenous materials for lead, hexavalent chromium, mercury, PBB, PBDE, DBP, BBP, DEHP, DIBP, and 0.01% for cadmium, or qualify for an exemption to these limits as defined in the Annexes of Directive 2011/65/EU (RoHS2). Finished electrical and electronic equipment products will be CE marked as required by Directive 2011/65/EU. Components may not be CE marked. Additionally, the part numbers that TE has identified as EU ELV compliant have a maximum concentration of 0.1% by weight in homogenous materials for lead, hexavalent chromium, and mercury, and 0.01% for cadmium, or qualify for an exemption to these limits as defined in the Annexes of Directive 2000/53/EC (ELV). Regarding the REACH Regulation, the information TE provides on SVHC in articles for this part number is based on the latest European Chemicals Agency (ECHA) 'Guidance on requirements for substances in articles' posted at this URL: <https://echa.europa.eu/guidance-documents/guidance-on-reach>

## Compatible Parts



## Also in the Series | Kilovac K43



High Voltage Relays(29)

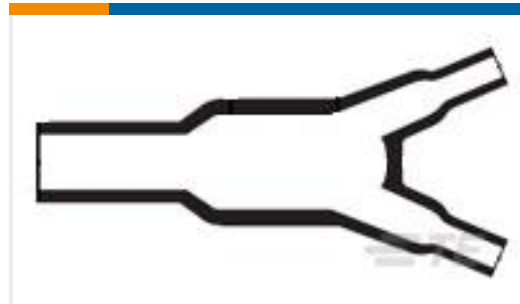
## Customers Also Bought



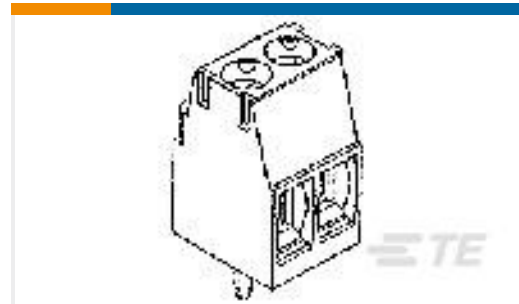
TE Part #E95757-000  
FL2500-NO.4-J2-0-STK



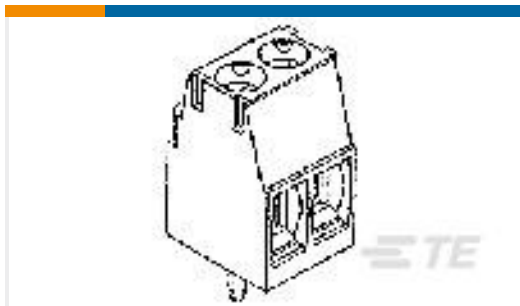
TE Part #037328-001  
SSB-1202FR



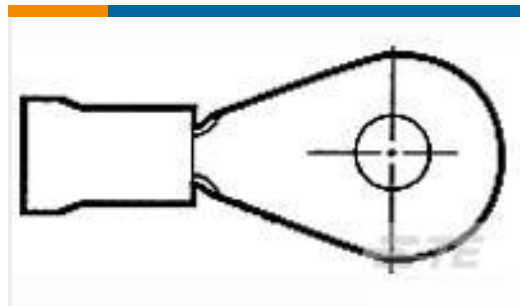
TE Part #511608-000  
382A034-25/225-0



TE Part #284391-3  
TERMI-BLOK PCB SIDE ENTRY STAC



TE Part #284391-6  
TERMI-BLOK PCB SIDE ENTRY STAC



TE Part #55621-1  
TERMINAL R PG 8 1/4



TE Part #9-1879333-0  
CPF0402 180K 0.1% 25PPM 5K RL



TE Part #6-1618241-0  
K81C335=RELAY, VACUUM, SPDT



TE Part #3-1991253-7  
37 WAY LOW COST D SUB BACKSHEL



TE Part #CMS38606P-30NF  
omni, lclng, 30cm, NF 380-6000MHz,  
6dBi, LPIM

## Documents

### CAD Files

3D PDF

3D

### Customer View Model

[ENG\\_CVM\\_CVM\\_1-1618240-4\\_P.2d\\_dxf.zip](#)

English

### Customer View Model

[ENG\\_CVM\\_CVM\\_1-1618240-4\\_P.3d\\_igs.zip](#)



English

**Customer View Model**

[ENG\\_CVM\\_CVM\\_1-1618240-4\\_P.3d\\_stp.zip](#)

English

By downloading the CAD file I accept and agree to the [Terms and Conditions](#) of use.

**Datasheets & Catalog Pages**

[5-1773450-5\\_sec7\\_K43](#)

English