



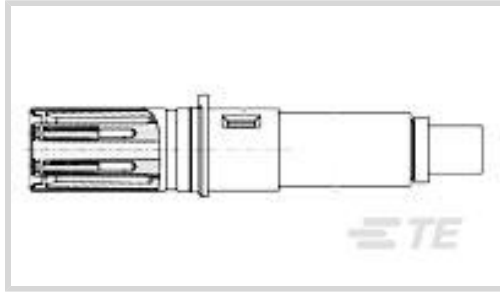
AMP

TE Internal #: 1445693-1

Quadrax, Socket Contact, Wire & Cable, Straight, Gold, 1 A, Signal, -85 – 257 °F [-65 – 125 °C]

[View on TE.com >](#)

Connectors > Contacts > RF Contacts



Contact Type: **Socket**

RF Contact Style: **Quadrax**

Sealable: **Yes**

Connector & Contact Terminates To: **Wire & Cable**

Contact Orientation: **Straight**

**Features**

**Product Type Features**

RF Contact Style	Quadrax
Sealable	Yes
Connector & Contact Terminates To	Wire & Cable

**Electrical Characteristics**

Impedance	100 Ω
-----------	-------

**Body Features**

Contact Removal Style	Rear Release/Rear Remove
-----------------------	--------------------------

**Contact Features**

Contact Length	33.83 mm[1.331 in]
Contact Base Material	Copper
Contact Type	Socket
Contact Orientation	Straight
Contact Mating Area Plating Material	Gold
Contact Current Rating (Max)	1 A

**Termination Features**

Termination Method to Wire & Cable	Hex Crimp
------------------------------------	-----------

**Mechanical Attachment**

Contact Retention Type Within Housing	Retention Clip
---------------------------------------	----------------



**Dimensions**

Wire Size	24 AWG
-----------	--------

**Usage Conditions**

Operating Temperature Range	-65 – 125 °C[-85 – 257 °F]
-----------------------------	----------------------------

**Operation/Application**

Circuit Application	Signal
---------------------	--------

**Identification Marking**

Contact Color Code	None
--------------------	------

**Packaging Features**

Packaging Method	Package
------------------	---------

**Product Compliance**

[For compliance documentation, visit the product page on TE.com>](#)

EU RoHS Directive 2011/65/EU	Compliant with Exemptions
EU ELV Directive 2000/53/EC	Compliant with Exemptions
China RoHS 2 Directive MIIT Order No 32, 2016	Restricted Materials Above Threshold
EU REACH Regulation (EC) No. 1907/2006	Current ECHA Candidate List: JUNE 2023 (235) Candidate List Declared Against: JAN 2022 (223) SVHC > Threshold: Pb (3.7% in Component Part) <b>Article Safe Usage Statements:</b> Do not eat, drink or smoke when using this product. Wash thoroughly after handling. Recycle if possible and dispose of the article by following all applicable governmental regulations relevant to your geographic location.
Halogen Content	Low Halogen - Br, Cl, F, I < 900 ppm per homogenous material. Also BFR/CFR/PVC Free
Solder Process Capability	Not applicable for solder process capability

Product Compliance Disclaimer

This information is provided based on reasonable inquiry of our suppliers and represents our current actual knowledge based on the information they provided. This information is subject to change. The part numbers that TE has identified as EU RoHS compliant have a maximum concentration of 0.1% by weight in homogenous materials for lead, hexavalent chromium, mercury, PBB, PBDE, DBP, BBP, DEHP, DIBP, and 0.01% for cadmium, or qualify for an exemption to these limits as defined in the Annexes of Directive 2011/65/EU (RoHS2). Finished electrical and electronic equipment products will be CE marked as required by Directive 2011/65/EU. Components may not be CE marked. Additionally, the part numbers that TE has identified as EU ELV compliant have a maximum concentration of 0.1% by weight in homogenous materials for lead, hexavalent chromium, and mercury, and 0.01% for cadmium, or qualify for an exemption to these limits as defined in the Annexes of Directive 2000/53/EC (ELV). Regarding the REACH Regulation, the information TE provides on SVHC in articles for this part number is based on the latest European Chemicals Agency (ECHA) 'Guidance on requirements for substances in articles' posted at this URL: <https://echa.europa.eu/guidance-documents/guidance-on-reach>

## Compatible Parts



TE Part # 1976924-1  
TOOL, PLIERS, QUADRAX

TE Part # 1976593-6  
TOOLS, INS, GB & GA QUADRAX

TE Part # 1976923-1  
KIT, JAW (GB SOCKET)

## Customers Also Bought



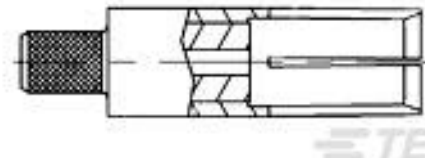
TE Part #1811901-7  
Recpt,N Key,Sz 19,Panel Mt



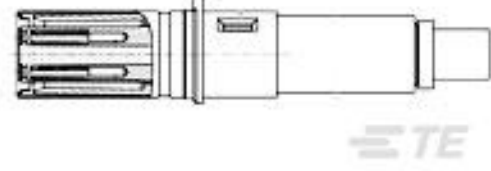
TE Part #1811901-1  
Asy,Recpt,Size 19 Panel Mt,N Key



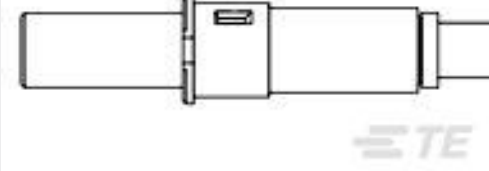
TE Part #ZPF000000000137993  
787-8055-13M



TE Part #225791-2  
COAXIAL RF SOCKET, SZ 5



TE Part #1445693-3  
SOCKET CONTACT,QUADRAX,SZ8,RR



TE Part #1445692-4  
ASY,PIN,QUADRAX

TE Part #ZPF000000000002002  
182-0601-08

TE Part #ZPF000000000011517  
BJE 137

TE Part #ZPF000000000121233  
732-8174-10

## Documents

### Product Drawings

SOCKET CONTACT,QUADRAX,SZ8,RR

English

### CAD Files

3D PDF



3D

Customer View Model

[ENG\\_CVM\\_CVM\\_1445693-1\\_M.2d\\_dxf.zip](#)

English

Customer View Model

[ENG\\_CVM\\_CVM\\_1445693-1\\_M.3d\\_igs.zip](#)

English

Customer View Model

[ENG\\_CVM\\_CVM\\_1445693-1\\_M.3d\\_stp.zip](#)

English

By downloading the CAD file I accept and agree to the [Terms and Conditions](#) of use.

### Datasheets & Catalog Pages

[DEUTSCH MIL-DTL-38999 CIRCULAR CONNECTORS](#)

English

### Product Specifications

[Application Specification](#)

English

[Application Specification](#)

English