

SIGN	DATE	DESCRIPTION	APPROVER
△	210.05.29	The design is changed	Chen Bo
△	03/29`12	Add is cULus	Chen Bo
△	03/29`12	The dimension C & D & E are added	Chen Bo
△	03/29`12	Flange nut is changed	Chen Bo

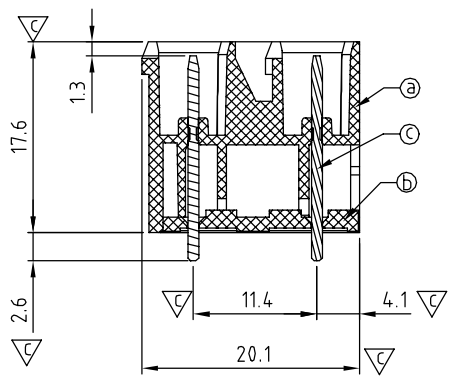
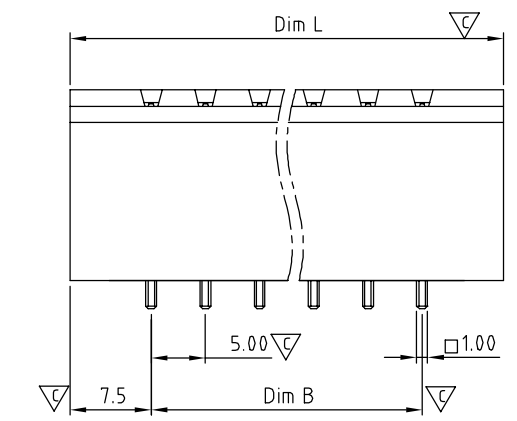
THIS IS CAD DRAWING, DO NOT REVISE MANUALLY!!!

- Material:
- Item a Terminal(housing): Thermoplastic (UL94V-0)
 - Item b Terminal(cover): Thermoplastic (UL94V-0)
 - Item c Male contact pin of short: Copper Tin plated
 - Item d With flange nut: Brass M2.5

- Electrical: cULus
- Voltage rating: 300V
 - Current rating: 12A
 - Withstanding Voltage: 1.6KV
 - Operating temperature: -40°C to +115°C
 - Soldering temperature: 250°C±10°C/5 Sec
 - Safety Approval: cULus
 - Critical dimension: ▽

KE xx 7 2 x 2 xxxx G

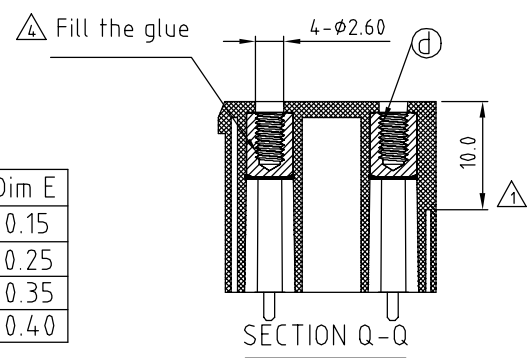
- No. OF POLES
- 04: 2x2 POLES
 - 06: 2x3 POLES
 - :
 - 48: 2x24 POLES
- RoHS compliant (lead<4%) In copper Alloy
- 0000: "@" Logo (Standard)
- 000A: "ANYTEK" Mark
- Any special item by customer request. please contact sales
- COLOR
- 0 Black (RAL9005)
 - 2 Red (RAL3001/D)
 - 3 Orange(RAL2011/P)
 - 4 Yellow(RAL1018/A)
 - 5 Green(RAL6018/T)
 - 6 Blue (RAL5015/A)
 - 8 Grey(RAL7035/D)
 - 9 White(RAL1102)
 - C Green(RAL6018/U)



SECTION P-P

N = Number of poles
 Dim L=(N+2)×5.0
 Dim B=(N-1)×5.0
 Dim C=(N-1)×5.0+5.4
 Dim D=(N-1)×5.0+5.4
 Dim E=(N-1)×5.0

Poles	Dim L	Dim B	Dim C	Dim D	Dim E
2×2-2×6p	±0.15	±0.15	+0.05 -0.05	+0.05 -0.05	±0.15
2×7-2×12p	±0.25	±0.25	+0.10 -0.05	+0.10 -0.05	±0.25
2×13-2×18p	±0.35	±0.35	+0.20 -0.05	+0.20 -0.05	±0.35
2×19-2×24p	±0.40	±0.40	+0.25 -0.10	+0.25 -0.10	±0.40



SECTION Q-Q

ANYTEK				CUSTOMER COPY															
ALL RIGHTS RESERVED. REPRODUCTION OR ISSUE TO THIRD PARTIES IN ANY FORM WHATSOEVER IS NOT PERMITTED WITHOUT WRITTEN AUTHORITY FROM THE PROPRIETOR. PROPERTY OF ANYTEK TECHNOLOGY CO., LTD																			
TITLE	KE 5.0mm With Flange Series 2x2P-2x24P (180°-Vertical) DIP type																		
PART NO.	KExx72x2xxxxG			DWG NO.	8KE0104														
APPROVED	CHECKED	DESIGNED	DRAWN	CUST NO.	Tolerance														
		Chen Bo 04/14`12	Chen Bo 04/14`12		<table border="1"> <tr> <td>UNIT: mm</td> <td>X.</td> <td>±0.50</td> </tr> <tr> <td>SCALE: NONE</td> <td>X.X</td> <td>±0.30</td> </tr> <tr> <td></td> <td>X.XX</td> <td>±0.10</td> </tr> <tr> <td></td> <td>X°</td> <td>±1°</td> </tr> </table>			UNIT: mm	X.	±0.50	SCALE: NONE	X.X	±0.30		X.XX	±0.10		X°	±1°
UNIT: mm	X.	±0.50																	
SCALE: NONE	X.X	±0.30																	
	X.XX	±0.10																	
	X°	±1°																	
				SHEET: 01/01	REV.: D														