

6

5

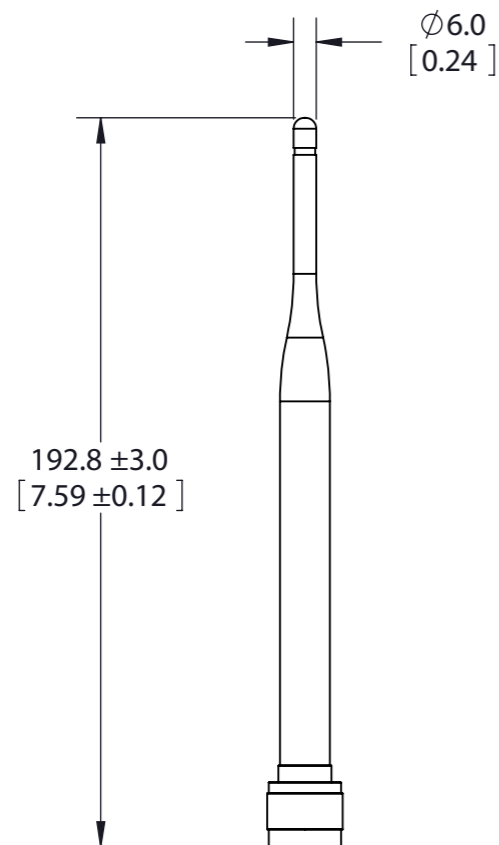
4

3

2

1

REVISIONS					
REV.	ECR#	ZONE	DESCRIPTION	CHANGED BY/DATE	APPROVED BY/DATE
AA			INITIAL RELEASE	TB 03-19-09	TB 03-19-09



PARAMETER	PERFORMANCE
Model Number	RD2458-5-OTDR-NM
Antenna Type	Dipole - Tri-Band
Frequency	2.4-2.5/5.15-5.35/5.725-5.85 GHz
Gain	2.0dBi TYP for 2G/4.0dBi TYP for 5G
Input Impedance	50 Ohms
VSWR	2.0:1 Max.
Polarization	Linear
RF Connector	N-Male
Radome	Black, TPU
Seal Rating	IP-67

MATERIAL: N/A	THIRD ANGLE PROJECTION		
FINISH: N/A	DO NOT SCALE DRAWING		
APPROVALS	DATE	<p>RD2458-5-OTDR-NM</p>	
DRAWN BY T.BOWSER	03-19-09		
PROJ. ENG J.MORROW	03-23-09		
APPL. MECH. K.SEARL	03-23-09		
MFG. I.CHICKLIS	03-23-09	<p>INTERPRET DIMENSIONING AND TOLERANCING IN ACCORDANCE WITH ASME Y14.5M-1994</p> <p>TOLERANCES UNLESS OTHERWISE SPECIFIED</p> <p>DIMENSIONS ARE IN MILLIMETERS</p> <p>ANGLE: ±30' 0 PLACE DECIMAL: ±0.5 1 PLACE DECIMAL: ±0.25 2 PLACE DECIMAL: ±0.13</p> <p>SURFACE ROUGHNESS $\sqrt{1.6}$</p>	<p>SIZE A3</p> <p>DWG. NO. RD2458-5-OTDR-NM</p> <p>REV AA</p>
<p>THIS DRAWING IS UNPUBLISHED. RELEASED FOR PUBLICATION</p> <p>© Copyright 2022 TE Connectivity Ltd. ALL RIGHTS RESERVED.</p>		<p>SCALE: 1:2</p> <p>PREVIOUS#</p> <p>SHEET 1 OF 1</p>	

6

5

4

3

2

1