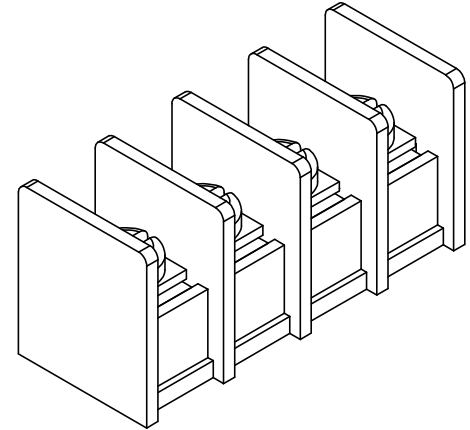
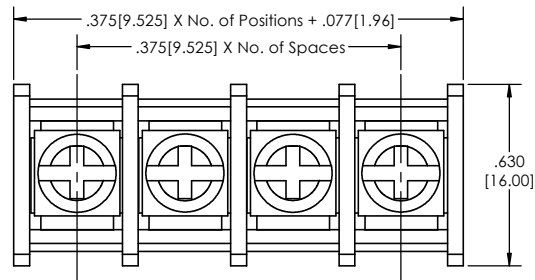
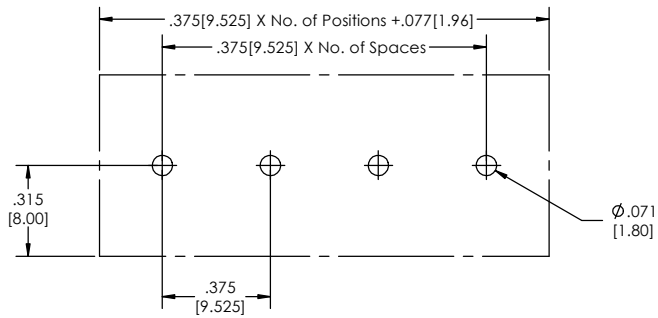


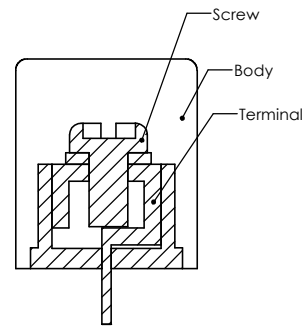
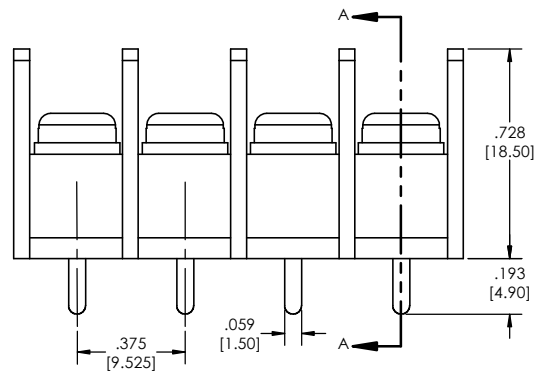
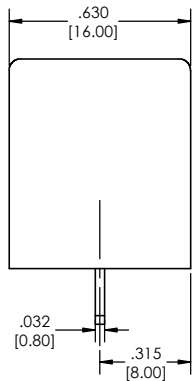
**Recommended P.C. Board Layout**  
SCALE 3:1



TBB - 06 - **375** - **XX** - **XX** - **LF**  
**(A) (B) (C) (D)**

- A. Pitch  
- 375= .375(9.525) cl
- B. No. of Positions  
- 02-24
- C. Color  
- GR= Green (Standard)  
- BK= Black  
- BL= Blue  
- WH= White  
- GY= Grey  
- OR= Orange  
- YW= Yellow  
- RD= Red  
- BR= Brown
- D. Lead Free
- Specifications:  
Current Rating: 25 Ampere  
Voltage Rating: AC 300V  
Wire Range: 12-22 AWG  
Insulation Resistance: DC 500V 1000M ohms  
Dielectric Withstanding Voltage: AC 2500V/1 minute  
Operation Temperature: -30°C to +105°C  
Strip Length: .394-.472 (10-12mm)

- Materials:
1. Body: PA66 (Nylon), UL94 V-0
  2. Screw: M3.5, C1018 Steel, Nickel Plated
  3. Terminal: H62 Brass, Tin Plated



SECTION A-A

Tails may be clipped to achieve specific dimensions.  
Products cut to specific sizes are uncancellable/ nonreturnable.  
Parts are subject to change without notice.



PROPRIETARY AND CONFIDENTIAL  
THE INFORMATION CONTAINED IN THIS DRAWING IS THE SOLE PROPERTY OF Major League Electronics. ANY REPRODUCTION IN PART OR AS A WHOLE WITHOUT THE WRITTEN PERMISSION OF Major League Electronics IS PROHIBITED.

UNLESS OTHERWISE SPECIFIED:		NAME	DATE
DIMENSIONS ARE IN INCHES		DRAWN	EOW 04/16/14
TOLERANCES:		CHECKED	GWE 04/16/14
ONE DECIMALS ±.100		ENG APPR.	
TWO DECIMAL ±.010		MFG APPR.	
THREE DECIMAL ±.005		ADDRESS:	
FOUR DECIMAL ±.002		2533 Centennial Blvd. Jeffersonville, IN 47130	
NEXT ASSY USED ON		PHONE: 812-670-4174	
APPLICATION		FAX: 812-670-4175	
DO NOT SCALE DRAWING		E-MAIL: mle@mlelectronics.com	
		TITLE: TBB-06-375 Series	
		SIZE	DWG. NO.
		C	
		REV	A
		SCALE 3:1	SHEET 1 OF 1

