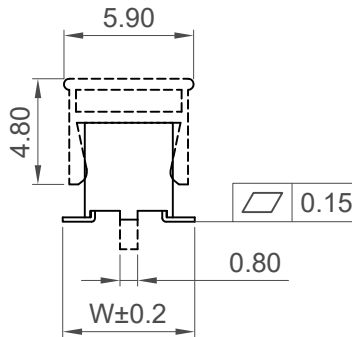


Contacts	Dimensions		
	A	B	C
4	2.0	4.6	/
6	4.0	6.6	2.0
8	6.0	8.6	4.0
10	8.0	10.6	6.0
12	10.0	12.6	8.0
14	12.0	14.6	10.0
16	14.0	16.6	12.0
18	16.0	18.6	14.0
20	18.0	20.6	16.0
22	20.0	22.6	18.0
24	22.0	24.6	20.0
26	24.0	26.6	22.0
28	26.0	28.6	24.0
30	28.0	30.6	26.0
32	30.0	32.6	28.0
34	32.0	34.6	30.0
36	34.0	36.6	32.0
38	36.0	38.6	34.0
40	38.0	40.6	36.0
42	40.0	42.6	38.0
44	42.0	44.6	40.0
46	44.0	46.6	42.0
48	46.0	48.6	44.0
50	48.0	50.6	46.0
52	50.0	52.6	48.0
54	52.0	54.6	50.0
56	54.0	56.6	52.0
58	56.0	58.6	54.0
60	58.0	60.6	56.0
62	60.0	62.6	58.0
64	62.0	64.6	60.0
66	64.0	66.6	62.0
68	66.0	68.6	64.0
70	68.0	70.6	66.0
72	70.0	72.6	68.0
74	72.0	74.6	70.0
76	74.0	76.6	72.0
78	76.0	78.6	74.0
80	78.0	80.6	76.0

Min. Insertion Depth 1.67 ref.
Max. Insertion Depth See Table



Insulator Height H	No. of Contacts	Dimension D	Max. Insertion Depth
4.30	04 ~ 16	4	4.50
	18 ~ 80	8.05	
4.00	04 ~ 16	4	4.30
	18 ~ 80	8.05	

Specifications

Material

Contact: Phosphor Bronze

Insulator:

Standard: Polyamide, Nylon 6T, UL 94V-0

Options: Polymer, LCP, UL 94V-0

Plating

See Ordering Grid

Electrical

Current Rating: 2 Amp Per Pin

Insulation Resistance: 1000 MΩ min

Contact Resistance: 20 mΩ max.

Dielectric Withstand Voltage: AC 500 V

Mechanical & Environmental

Operating Temperature: -40°C to +105°C

Soldering Process:

Nylon 6T (Standard) -

IR Reflow: 260°C for 10 sec.

Wave: 230°C for 5-10 sec.

Manual Solder: 350°C for 3-5 sec

LCP (Option) -

IR Reflow: 260°C for 10 sec.

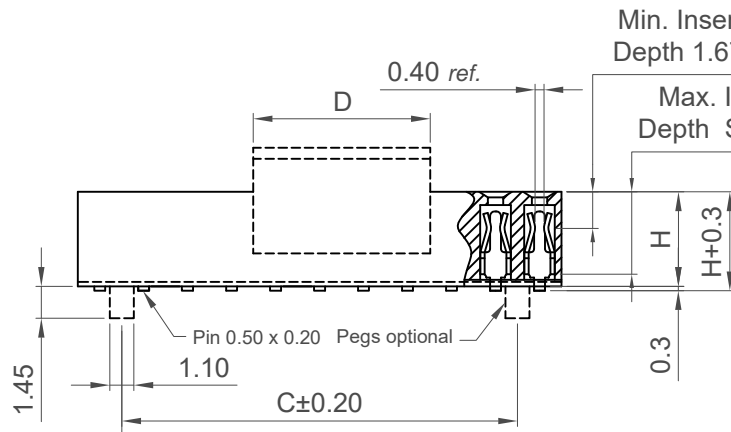
Wave: 250°C for 5-10 sec.

Manual Solder: 350°C for 3-5 sec

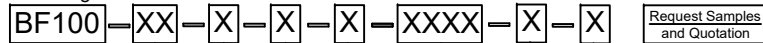
Mates with (Subject to pin length):

BF030 BF045 BF050 BF055

BF060 BF135 BF140 BF145



Ordering Grid



No. of Contacts
04 to 80

Contact Plating

A = Gold Flash All Over (Standard)

B = Selective Gold Flash Contact Area/
Tin On Tail

C = Tin All Over

G = 10µ" Gold Contact Area/Tin On Tail

I = 30µ" Gold Contact Area/Tin On Tail

Insulator Height 'H'

C = 4.00mm (Standard)

D = 4.30mm

Locating Peg
0 = No Peg
1 = With Peg

Packing Options

C = Tape and Reel with Film (Standard)

B = Tape and Reel with Cap

D = Tube (available from 6 contacts)

E = Tube with Cap (available from 6 contacts)

F = Tube with Film (available from 6 contacts)

Insulator Material

N = Nylon 6T (Standard)

L = LCP

Dimension W - Footprint Width (1/100mm)

'H' = 4.00mm: Standard - 6.25mm = 0625

Alternative - 5.00mm = 0500

'H' = 4.30mm: Standard - 6.40mm = 0640

Alternative - 5.60mm = 0560

- 6.25mm = 0625

Part Number		Product Description	
BF100		2.00mm Pitch Socket, Dual Row, Surface Mount, 4.3mm or 4.6mm Profile, Dual Entry	
Drawing Date		31st October 2007	
By	CC	Tolerances (Except as Noted)	Units:
Detail	BF100 H PCN	Length X ± 0.30 X.X ± 0.25 X.XX ± 0.15 X.XXX ± 0.10	Metric (mm)
Revision	H3	Angle X° ± 5° X.X° ± 3° X.XX° ± 2° X.XXX° ± 1°	RoHS COMPLIANT 2011/65/EU Deca-BDE
Date	15/12/21	3rd Angle Projection	This drawing is confidential and copyright of Global Connector Technology, Ltd (GCT). This drawing must not be copied or disclosed without written consent. E & OE



www.gct.co

Not to Scale	Drawn By LYH	Sheet No. 1/1
--------------	--------------	---------------