

REVISIONS					
P	LTR	DESCRIPTION	DATE	DWN	APVD
B		ECO-20-004897	24AUG2020	SB	JB

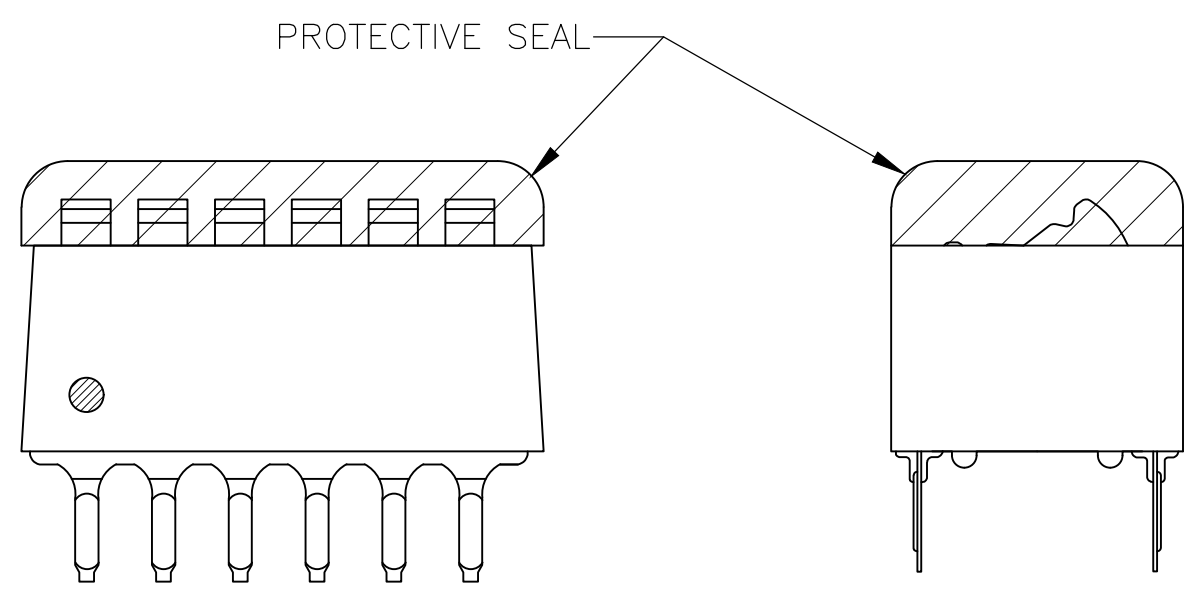
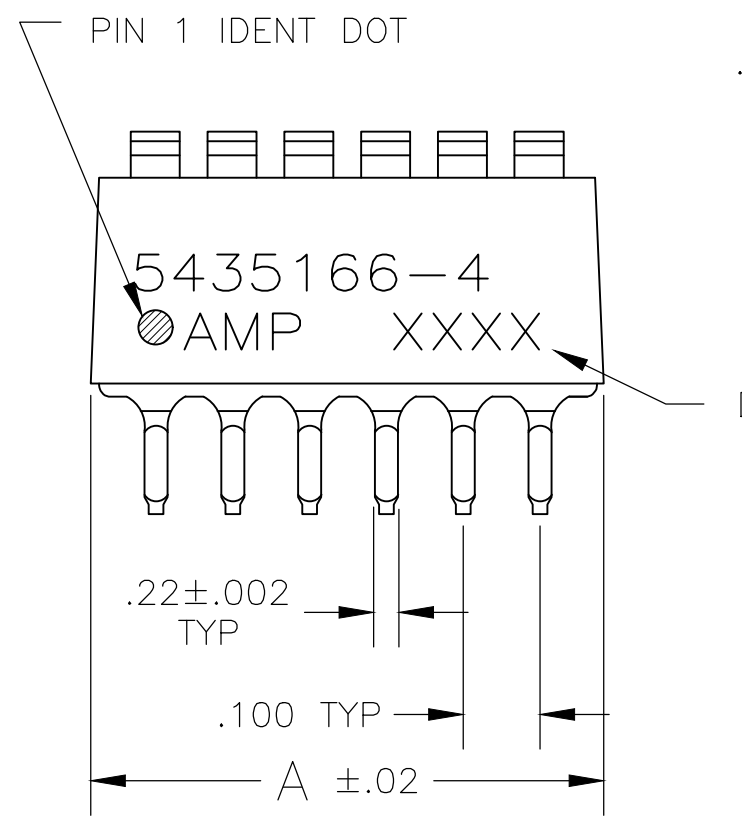
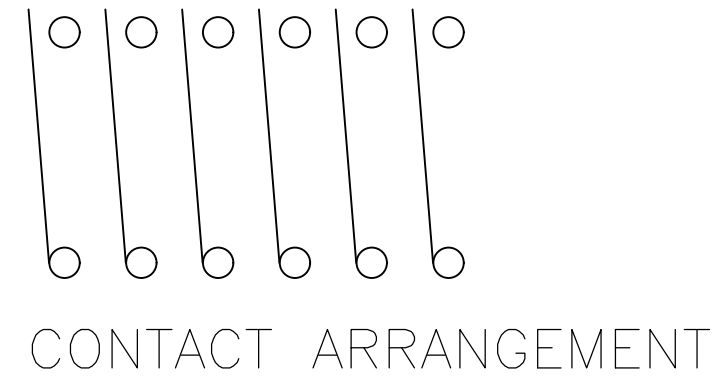
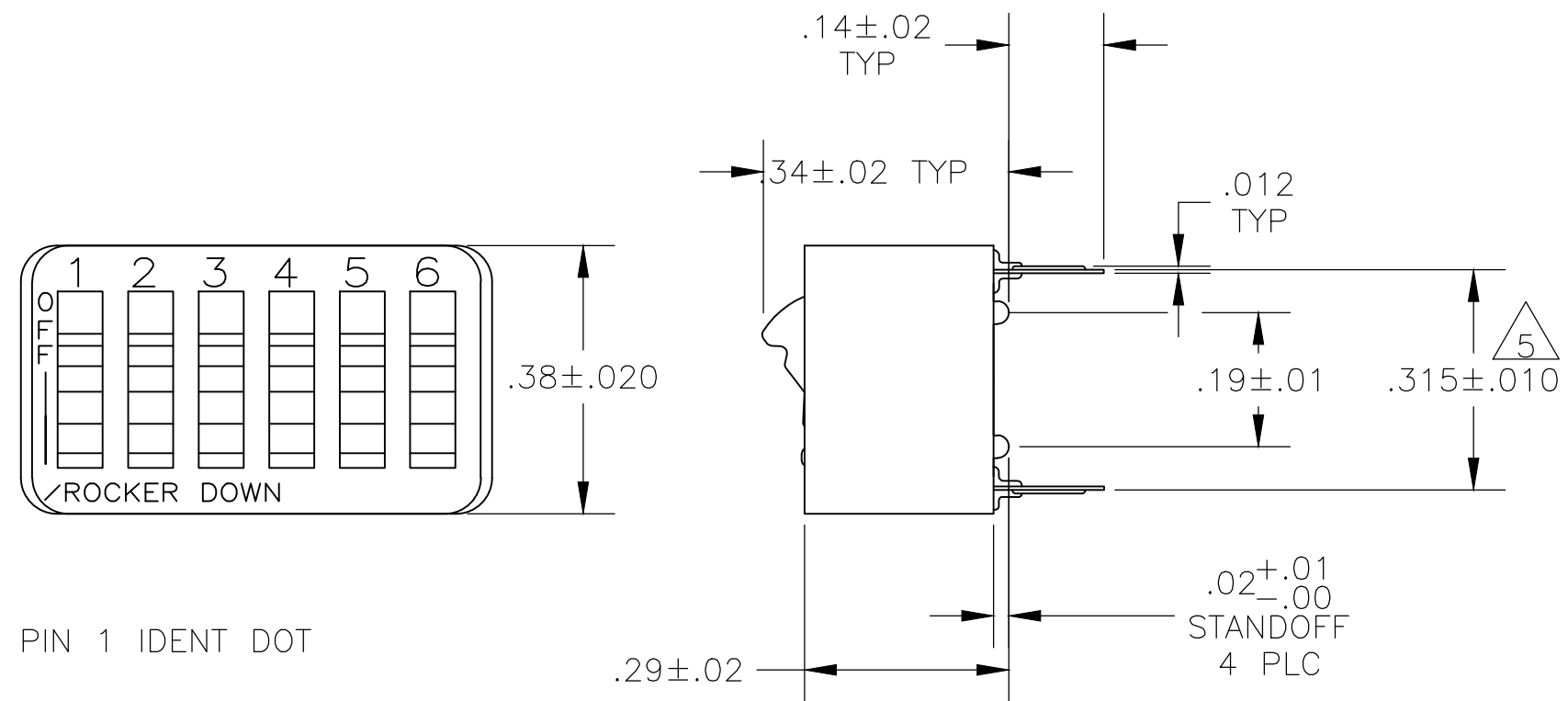


FIG 1

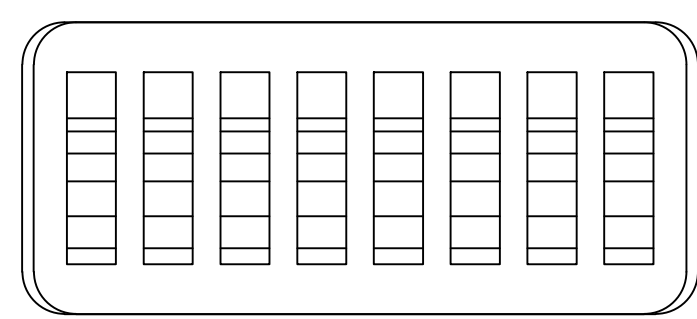


FIG 2

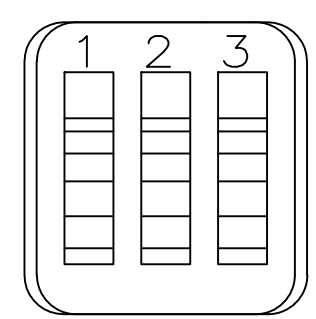


FIG 7

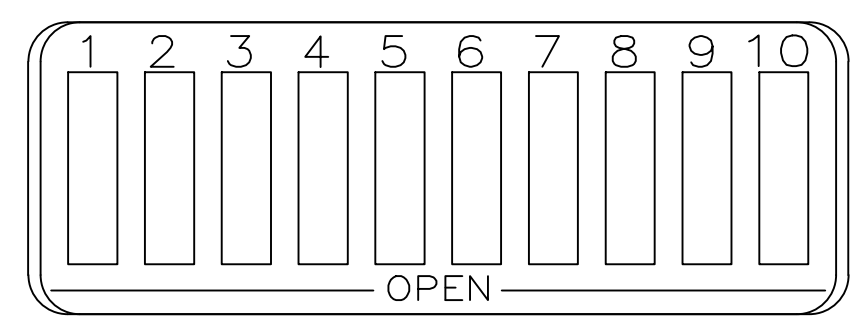


FIG 8

- FOR ADDITIONAL SPECIFICATIONS SEE AMP PRODUCT SPEC 108-7519.
- SWITCH SHOWN IN OPEN POSITION.
- ALL CHARACTERS AND ROCKERS ARE WHITE, HOUSING IS BLACK.
- LASER MARKING WILL VARY ON 2 AND 3 POSITION SIDES DUE TO SPACE RESTRICTIONS
- $\triangle 5$  .315 DIMENSION APPLIES AT TERMINAL TIPS. TERMINALS ARE .300 +.010 AT MOUNTING SURFACE. -.000
- $\triangle 6$  STRIPPABLE TRANSPARENT SEAL, SEE FIG 1.
- ALL MATERIALS AND FINISHES SHALL COMPLY WITH EU DIRECTIVE 2002 /95/EC OF 27JAN2003 (ROHS).
- $\triangle 8$  HOUSING AND ROCKERS-POLYESTER CONTACTS AND SOLDER LEADS-COPPER ALLOY
- $\triangle 9$  CONTACTS-GOLD OVER NICKEL SOLDER LEADS-TIN OVER NICKEL
- $\triangle 10$  OBSOLETE PARTS: OBSOLETE CIS STREAMLINING PER D.RENAUD/D.SINISI
- MARKS WILL BE ADDED BY LASER MARK PROCESS.

FIG	PROTECTIVE SEAL	NO OF POSN	PART NO		
$\triangle 10$ OBSOLETE	FIG 8	$\triangle 6$	1.08 10 7-5435166-4		
			1.08 10 5-5435166-5		
			.88 8 5-5435166-3		
			.78 7 5-5435166-2		
			.68 6 5-5435166-1		
$\triangle 10$ OBSOLETE	AS SHOWN	$\triangle 6$	.58 5 5-5435166-0		
			.48 4 4-5435166-9		
			FIG 7	.28 2 2-5435166-9	
			FIG 2	.88 8 2-5435166-8	
$\triangle 10$ OBSOLETE	AS SHOWN	---	1.08 10 5435166-7		
			.88 8 5435166-5		
			.68 6 5435166-4		
			.48 4 5435166-2		
			.78 7 5435166-1		
$\triangle 10$ OBSOLETE	TOP MARKING	PROTECTIVE SEAL	A	NO OF POSN	PART NO

THIS DRAWING IS A CONTROLLED DOCUMENT.		DWN	10JAN2005	TE Connectivity	
DIMENSIONS: INCHES		CHK	-	SWITCH ASSY, DIP, TYPE C, 7000 SERIES, SPST, STANDARD	
TOLERANCES UNLESS OTHERWISE SPECIFIED:		APVD	-	-	
0 PLC	± -	PRODUCT SPEC	-	SIZE	A2
1 PLC	± -	APPLICATION SPEC	-	CAGE CODE	00779
2 PLC	± -	WEIGHT	-	DRAWING NO	C-5435166
3 PLC	± .005	CUSTOMER DRAWING	-	RESTRICTED TO	-
4 PLC	± -	SCALE	4:1	SHEET	1 of 1
ANGLES	± -	REV	B		
MATERIAL	$\triangle 8$				
FINISH	$\triangle 9$				

5435166