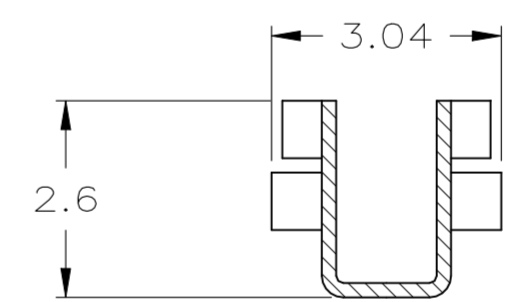
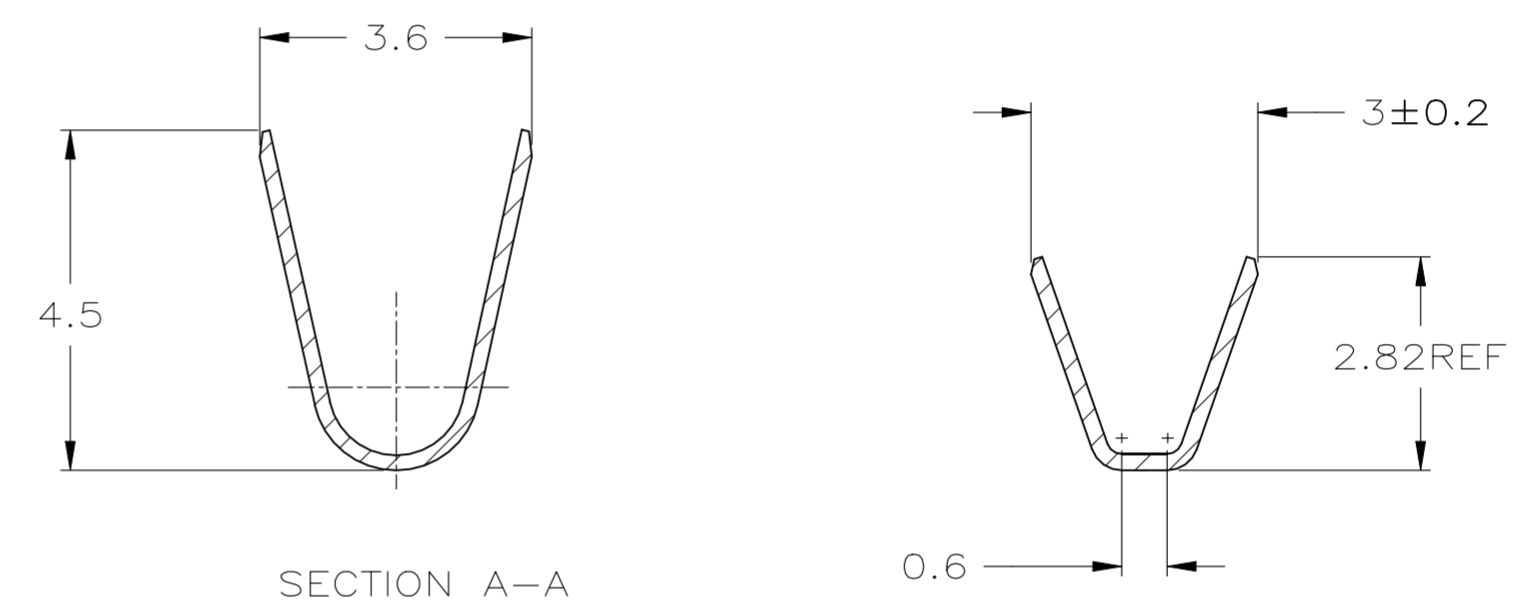
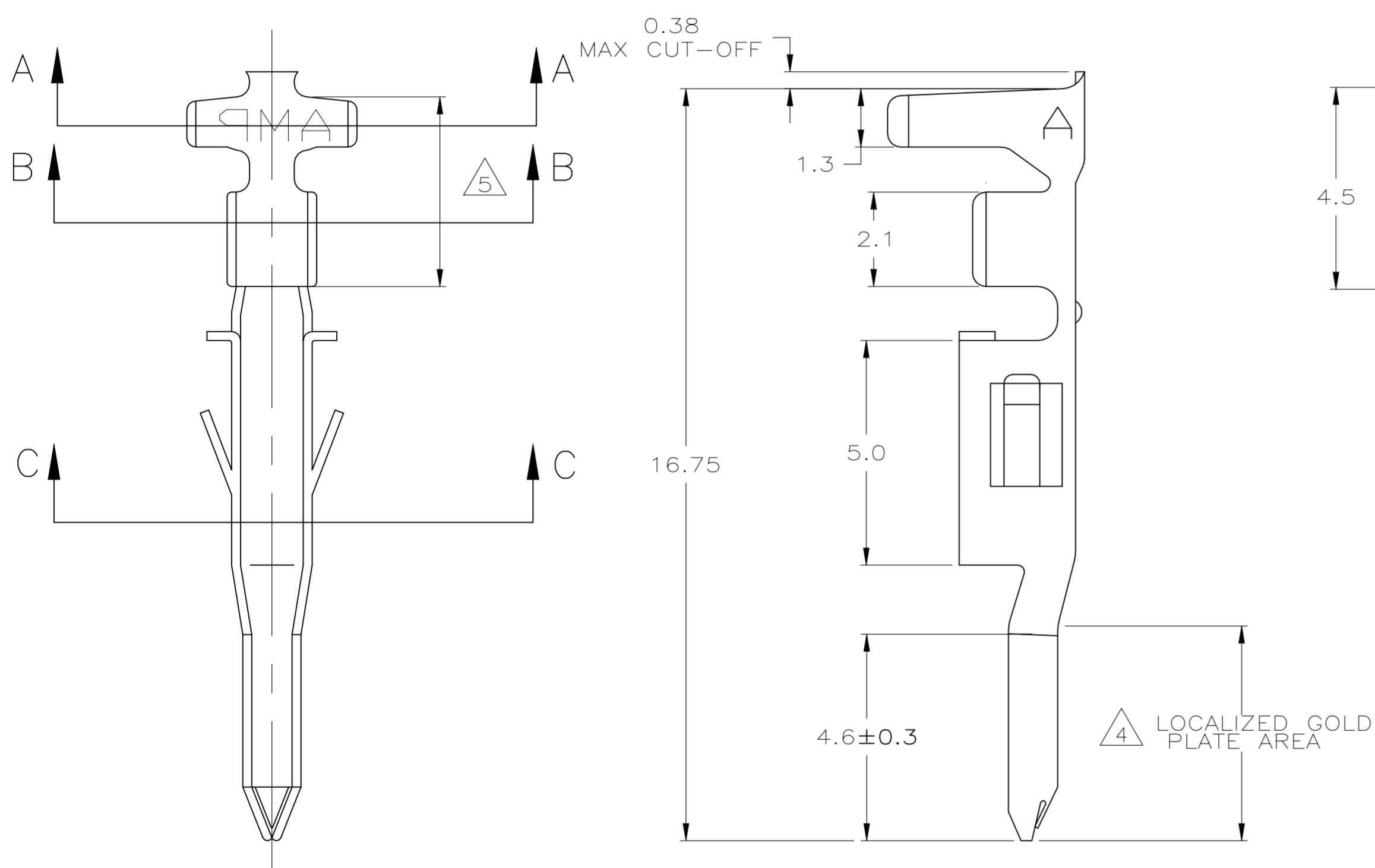


THIS DRAWING IS UNPUBLISHED. RELEASED FOR PUBLICATION
 © COPYRIGHT - By - ALL RIGHTS RESERVED.

REVISIONS					
P	LTR	DESCRIPTION	DATE	DWN	APVD
B3		REVISED PER ECR-23-173068	13DEC2023	P.C	D.Z

- 1 WIRE SIZE: 1.31mm² (16 AWG)
- 2 INSULATION RANGE: DIA 1.80-3.10 mm
- 3 FINISH: 1.27µm MIN NICKEL ALL OVER
- 4 FINISH: 0.76µm MIN GOLD ON INNER SURFACE, PERMITTED ON OUTER SURFACE.
- 5 FINISH: 2.54µm MIN TIN ON ALL SURFACES IN THIS AREA.
- 6 FINISH: 2.54µm MINIMUM PRE-TIN OVERALL
- 7 PRELIMINARY PART - NOT RELEASED FOR PRODUCTION
THIS PRODUCT HAS NOT COMPLETED QUALIFICATION TESTING



7 PRE-TIN	HIGH PERFORMANCE COPPER ALLOY	1586840-5
3 4 5	PHOS. BRZ.	1586840-4
PRE-TIN 6	PHOS. BRZ.	1586840-3
3 4 5	BRASS	1586840-2
PRE-TIN 6	BRASS	1586840-1
FINISH	MATERIAL	PART NO.

THIS DRAWING IS A CONTROLLED DOCUMENT.		DWN K. WHITAKER 04APR2007	STE TE Connectivity	
DIMENSIONS: mm [INCHES]		CHK C. CASH 04APR2007		
TOLERANCES UNLESS OTHERWISE SPECIFIED:		APVD C. CASH 04APR2007	NAME TERMINAL, PIN (LOOSE PIECE) VAL-U-LOK(TM)	
0 PLC ±		PRODUCT SPEC 108-2112	SIZE A2	
1 PLC ± 0.3		APPLICATION SPEC 114-13172	CAGE CODE 00779	DRAWING NO C=1586840
2 PLC ± 0.13		WEIGHT -	RESTRICTED TO	
3 PLC ±		CUSTOMER DRAWING	SCALE 10:1	SHEET 1 of 1
4 PLC ±		FINISH SEE TABLE	REV B3	
ANGLES ± 0°30'				