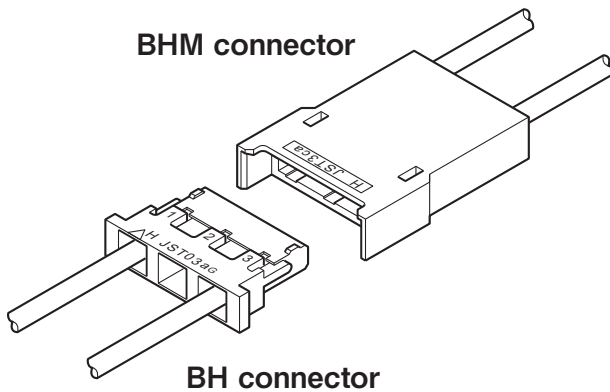


BHM CONNECTOR

4.0 mm pitch/Wire-to-Wire connectors/Crimp style and Mating style



This is a wire-to-wire receptacle with only 3.7 mm in thickness for thinner LCD displays. Ideal for relay connections between the backlight and power supply. Smoothly connects with the BH connector as the mating half.

- Thin-profile
- Boxed-shaped shrouded housing
- Connector polarization to prevent mismatching
- Free-hanging
- Contact with locking lance
- Compatible with high voltage wire

■ Specifications

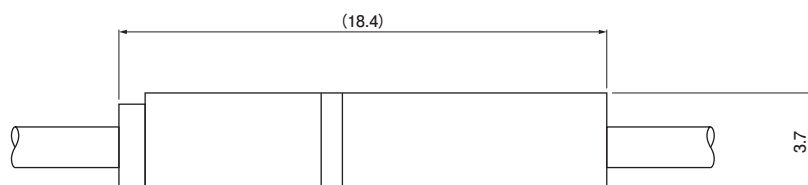
- Current rating: 1.0 A AC/DC (AWG #22)
- Voltage rating: 600 V AC/DC
- Temperature range: -25°C to +85°C
(including temperature rise in applying electrical current)
- Contact resistance:
 - Initial value/ 10 mΩ max.
 - After environmental tests/ 20 mΩ max.
- Insulation resistance: 1,000 MΩ min.
- Withstanding voltage:
 - There shall be no breakdown or flashover while applying 1,800 VAC for one minute.
- Applicable wire range:
 - Conductor size/ AWG #28 to AWG #22
 - Insulation O.D./ φ 1.6 mm to φ 2.4 mm
- * Please refer to the "Handling Precautions for Terminals and Connectors" on our website (listed in the "Technical Documents" column on the Product Information page) before use.
- * Does not comply with Japan Electrical Appliance and Material Safety Law.
- * RoHS2 compliance
- * Dimensional unit: mm
- * Contact JST for details.

■ Standards

For information on overseas standard registrations, please refer to the "List of Registered Overseas Standards" on our website (listed in the "Technical Documents" column on the Product Information page).

- * Specifications registered to overseas standards may differ from the general specifications listed above.

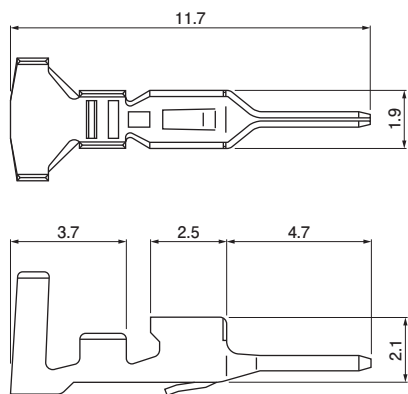
Assembly layout



BHM CONNECTOR

BHM connector

Pin contact



Model No.	Applicable wire range		Q'ty/ reel
	Conductor size AWG (mm ²)	Insulation O.D. (mm)	
SBHM-001T-P0.5	#28 to #22 (0.08 to 0.33)	1.6 to 2.4	4,000

Material and Surface finish, etc.

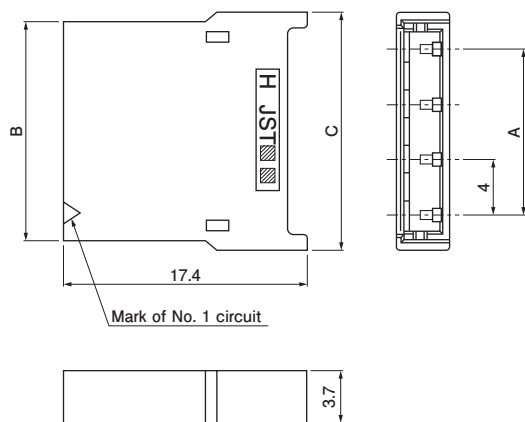
Phosphor bronze, tin-plated

Crimping machine

Contact	Crimping machine	Applicator	Crimp applicator with dies
SBHM-001T-P0.5	AP-K2N	MKS-L	APLMK SBH/M001-05

Note: Contact JST for fully automatic crimping applicator.

Receptacle housing



No. of circuits	Model No.	Dimensions (mm)			Q'ty/bag
		A	B	C	
3	BHMR-03V	8.0	11.8	13.1	1,000
4	BHMR-04V	12.0	15.8	17.1	1,000

Material and Surface finish, etc.

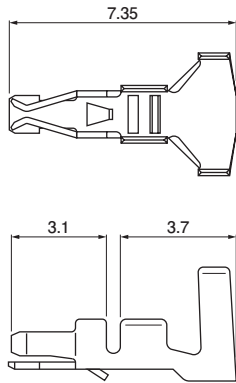
PA 66, natural (white)

Note: For flame retardant grade of resin material used, please refer to the "List of Registered Overseas Standards" on our website (listed in the "Technical Documents" column on the Product Information page).

BHM CONNECTOR

Mating half/ BH connector

Contact



Model No.	Applicable wire range		Q'ty/ reel
	Conductor size AWG (mm ²)	Insulation O.D. (mm)	
SBH-001T-P0.5	#28 to #22 (0.08 to 0.33)	1.6 to 2.4	4,000

Material and Surface finish, etc.

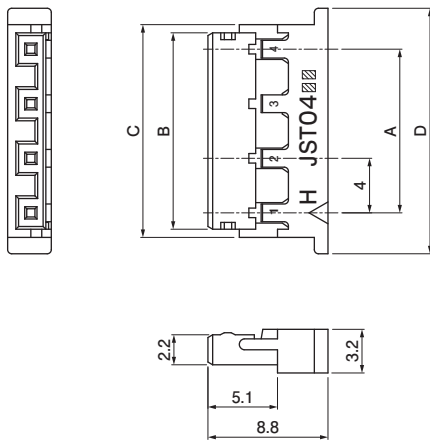
Phosphor bronze, tin-plated

Crimping machine

Contact	Crimping machine	Applicator	Crimp applicator with dies
SBH-001T-P0.5	AP-K2N	MKS-L	APLMK SBH/M001-05

Note: Contact JST for fully automatic crimping applicator.

Housing



No. of circuits	Model No.	Dimensions (mm)				Q'ty/bag
		A	B	C	D	
3	BHR-03VS-1	8.0	10.4	11.6	13.8	1,000
4	BHR-04VS-1	12.0	14.4	15.6	17.8	1,000

Material and Surface finish, etc.

PA 66, natural (white)

Note: For flame retardant grade of resin material used, please refer to the "List of Registered Overseas Standards" on our website (listed in the "Technical Documents" column on the Product Information page).