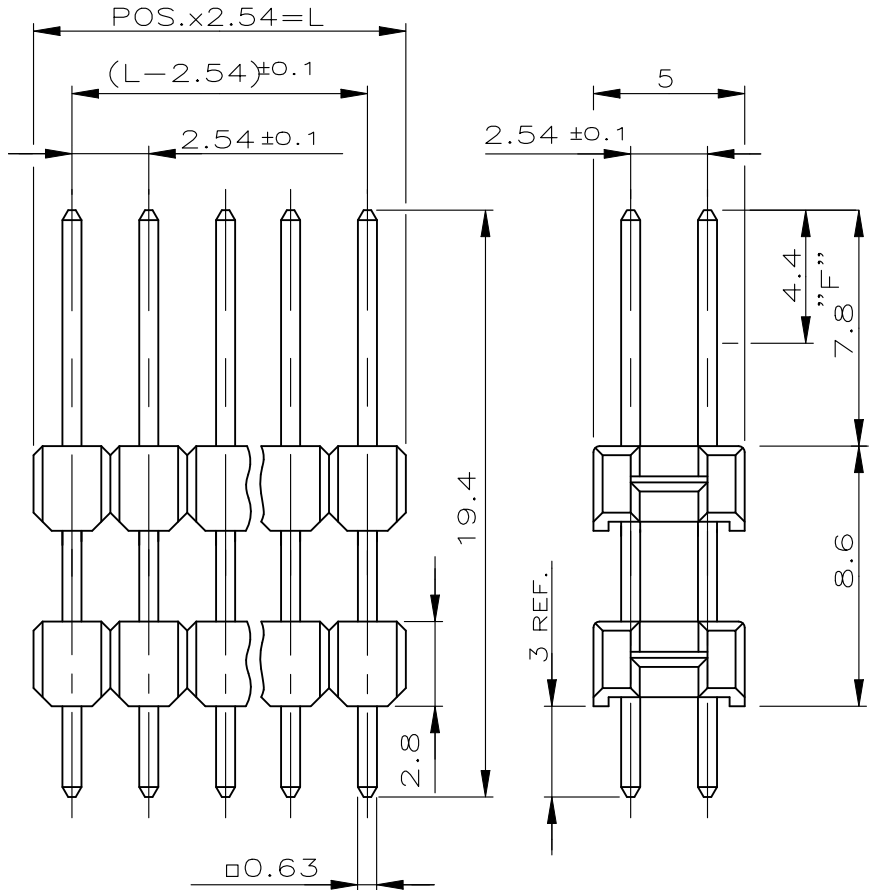


P		LTR		REVISIONS ÄNDERUNGEN DESCRIPTION BESCHREIBUNG		DATE	DWN	APVD
B1		NOTE 1 0.76µm PLATING UPDATE (PdNi+AuFLASH)		11JUL2023		BGC	PS	

POS. PER ROW	L±0.5	PART NUMBER
-	-	-
2	5.08	-2
3	7.62	1241880 -3
4	10.16	-4
5	12.70	-5
6	15.24	-6
7	17.78	-7
8	20.32	-8
9	22.86	-9
10	25.40	1-
11	27.94	1-
12	30.48	1-
13	33.02	1-
14	35.56	1-
15	38.10	1-
16	40.64	1-
17	43.18	1-
18	45.72	1-
19	48.26	1-
20	50.80	2-
21	53.34	2-
22	55.88	2-
23	58.42	2-
24	60.96	2-
25	63.50	2-
26	66.04	2-
27	68.58	2-
28	71.12	2-
29	73.66	2-
30	76.20	3-
31	78.74	3-
32	81.28	3-
33	83.82	3-
34	86.36	3-
35	88.90	3-
36	91.44	3-
37	93.98	3-
38	96.52	3-
39	99.06	3-
40	101.60	4-
41	104.14	4-
42	106.68	4-
43	109.22	4-
44	111.76	4-
45	114.30	4-
46	116.84	4-
47	119.38	4-
48	121.92	4-
49	124.46	4-
50	127.00	5-



⚠ MATING SIDE: MIN 0.76µm (PdNi + Au FLASH)
BY AREA "F" OVER 1.27µm NICKEL
(Alternative plating - Min 0.76µm Au plating
OVER 1.27µm NICKEL)

SOLDER SIDE: MIN. 2.5µm TIN OVER 1.27µm NICKEL

CONTACT PIN	CuZn	⚠
PIN HOUSING	PBT	GREEN
DESCRIPTION	MATERIAL	FINISH/COLOR

RELEASED FOR PUBLICATION
FREI FUER VERÖFFENTLICHUNG

VERTRAULICHE UNVERÖFFENTLICHTE ZEICHNUNG. Reserved.

DIMENSIONS: MASSENHEITEN mm	DWN	14DEC2000	MATERIAL	SEE TABLE	FINISH OBERFLÄCHE/FARBE	SEE TABLE
	A. Zitz	14DEC2000	TE Connectivity			
TOLERANCES UNLESS OTHERWISE SPECIFIED: ALLGEMEINTOLERANZEN ±0.2	CHK	14DEC2000				
	A. Zitz	-	SIZE	CAGE CODE	DRAWING NO ZEICHNUNGS-NR.	RESTRICTED TO NUR FUER
0 PLC ± -	PRODUCT SPEC PRODUKTSPEZ.	108-18012	A4	00779	C-1241880	-
1 PLC ± -	APPLICATION SPEC VERARBEITUNGSSPEZ.	-	WEIGHT GEWICHT			-
2 PLC ± -	WEIGHT GEWICHT	-	CUSTOMER DRAWING / KUNDENZEICHNUNG			SCALE MASSSTAB
3 PLC ± -			4:1			SHEET BLATT
4 PLC ± -			1 OF 1			REV
ANGLES / WINKEL ± -			B1			