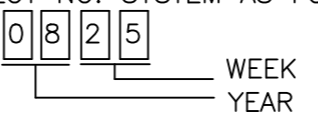


REVISIONS

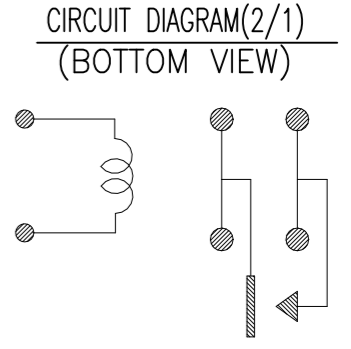
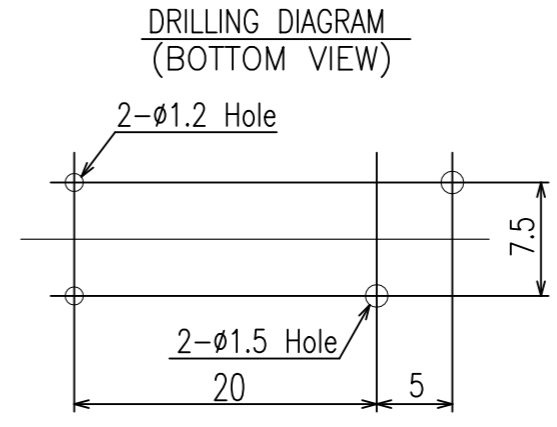
P	LTR	DESCRIPTION	DATE	DWN	APVD
C		DIMENSION CHANGE	ECO-21-004260	10-JUN-21	XR.L K.T

NOTES:
 1.TERMINAL DIMENSION IS NOT INCLUDING SOLDER TIP.
 2.LOT NO. SYSTEM AS FOLLOING:
 3.GENERAL TOLERANCE AS FOLLOING:



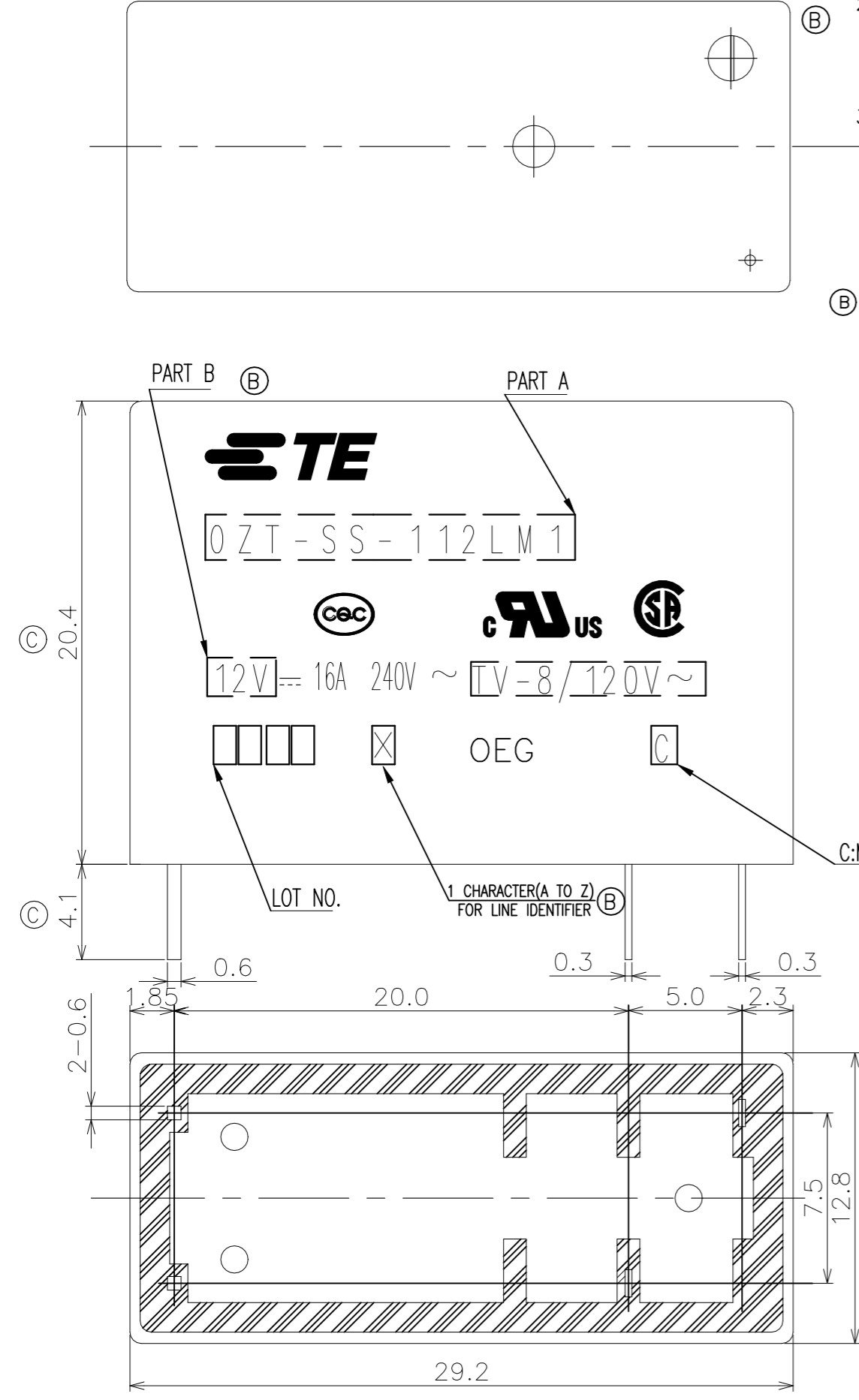
TOLERANCE	
0~0.99mm	±0.1
1mm~2.99mm	±0.2
3mm MIN.	±0.3

4.FOR THE TIN-PLATING OF THE PINS:
 +0.1mm FOR WIDTH,THICKNESS AND DIAMETER.
 +0.5mm FOR LENGTH.



9-1419145-4	OZT-SS-112LM1	12V	OZT-SS-112LM1	107-79006	1
PART NO	DESCRIPTION	PART B	PART A	PACK. SPEC.	No.

		UV RESIN	UV SEAL	16	
		EPOXY RESIN	SEAL	15	
		Cu ALLOY	HINGE SPRING	14	
		PBT	CASE	13	
		MW79	MAGNETIC WIRE	12	
UL94V-0		PET	BASE	11	
UL94HB		PBT	BOBBIN	10	
	SOLDER DIP	Cu ALLOY	COIL TERMINAL	9	
UL94V-0		PPS	CARD	8	
		Ag ALLOY	MOVABLE CONTACT	7	
		Ag ALLOY	STATIONARY CONTACT	6	
	SOLDER DIP	Cu ALLOY	MOVABLE SPRING	5	
	SOLDER DIP	Cu ALLOY	NO-TERMINAL	4	
		Ni PLATED	STEEL	CORE	3
		Ni PLATED	STEEL	ARMATURE	2
		Ni PLATED	STEEL	YOKE	1
INCOMBUSTIBILITY	TREATMENT	MATERIAL	DESCRIPTION	ITEM	



THIS DRAWING IS A CONTROLLED DOCUMENT.

DIMENSIONS:	TOLERANCES UNLESS OTHERWISE SPECIFIED:
mm	0 PLC ± -
	1 PLC ± -
	2 PLC ± -
	3 PLC ± -
	4 PLC ± -
	ANGLES ± -
MATERIAL	FINISH

STE TE Connectivity

OZT-LMI CUSTOMER DRAWING

APVD Sunny Zhang

PRODUCT SPEC

APPLICATION SPEC

WEIGHT -

CUSTOMER DRAWING

SIZE A3 CAGE CODE 00779 DRAWING NO C-9-1419145-4 RESTRICTED TO -

SCALE 4:1 SHEET 1 OF 1 REV C