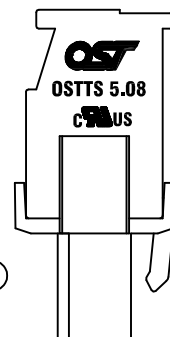
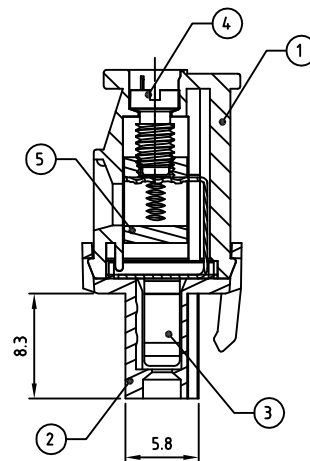
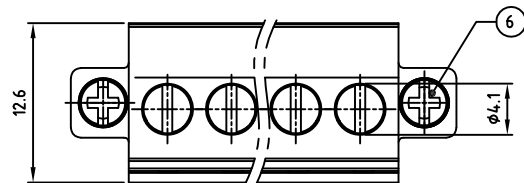
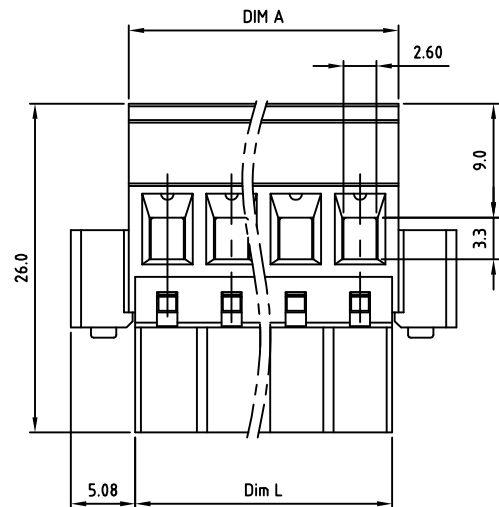
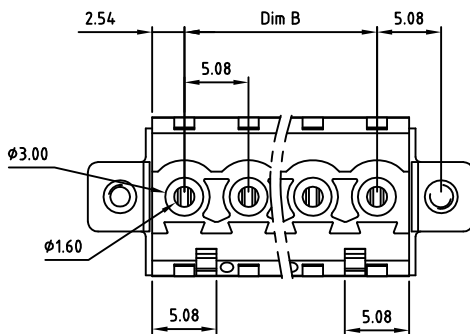
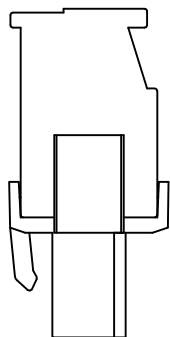
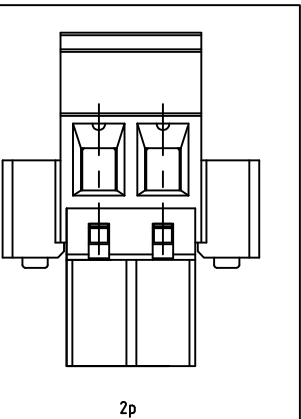


Transfer or duplication of this document as well as the utilisation or communication of its content are not permitted unless express consent is granted. Violations give rise to claims for damages. All rights reserved in case of patent, utility model or design patent registrations.



**Technical data**

1. Nominal voltage: 300V/15A  
PITCH: 5.08mm
2. Connection capacity:  
AWG 30-12
3. Insulation Withstanding Voltage:  
AC 1600V/MIN
4. Insulation Resistance:  
1000M $\Omega$  or more at DC500V
5. Tightening torque:  
5kgf.cm (0.5N.m / 4.3 Lb-in)
6. Screw thread: M3
7. Stripping length: 6-7mm
8. Operating temperature range: -40°C ~ 115°C
9. Undimensioned Tolerances:

Dim.L = P x 5.08		
Dim.B = (P - 1) x 5.08		
Dim.A = (P - 1) x 5.08 + 6.08		
P = number of poles		
	Dim B	Dim L
0-30mm	$\pm 0.15$	$\pm 0.20$
over 30mm-60mm	$\pm 0.20$	$\pm 0.25$
over 60mm-90mm	$\pm 0.25$	$\pm 0.30$
over 90mm	$\pm 0.30$	$\pm 0.40$

Part No.: **OSTTSXX515D**

- |              |                     |
|--------------|---------------------|
| No. of Poles | COLOR               |
| 02 2 Poles   | 0: Black            |
| 03 3 Poles   | 2: Red              |
| ...          | 3: Orange           |
| 24 24 Poles  | 4: Yellow           |
|              | 5: Green (Standard) |
|              | 6: Blue             |
|              | 8: Grey             |
- Nonstandard colors  
Mins could apply

10. Safety approval:
11. RoHS Compliance

6	Flange screw	STEEL	M2.5x0.45, Zn Plated	2
5	CAGE	BRASS	M3.0x0.5, Ni PLATED	P
4	SCREW	STEEL	M3.0x0.5, Zn Plated	P
3	WIRE GUARD	BRONZE (PhBz)	TIN PLATED	P
2	DOWN BODY	PA66 UL94V-0		1
1	UP BODY	PA66 UL94V-0		1

ITEM	NAME OF PART	MATERIAL	NOTES	Q'TY
DWG.	WF. Zhang	DATE 2016.06.15	UNITS: MM SHEET: 1 OF 1	Tolerance
CHK.	WF. Zhang	DATE 2016.06.15	SCALE: NONE 2.5:1 (:)   REV.: A	X. $\pm 0.50$
APP.		DATE	TITLE: OSTTS 5.08 Series W/Flange "-." Slot screw type	X.X $\pm 0.30$
			PART NO. OSTTSXX515D	X.XX $\pm 0.10$
			DWG NO. OSTTSXX515D.dwg	X* $\pm 1^{\circ}$

	SIGN	DESCRIPTION	CHK.	DATE
--	------	-------------	------	------

**OST**  
ON-SHORE TECHNOLOGY, INC.