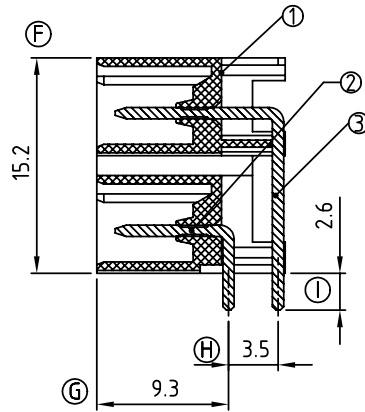
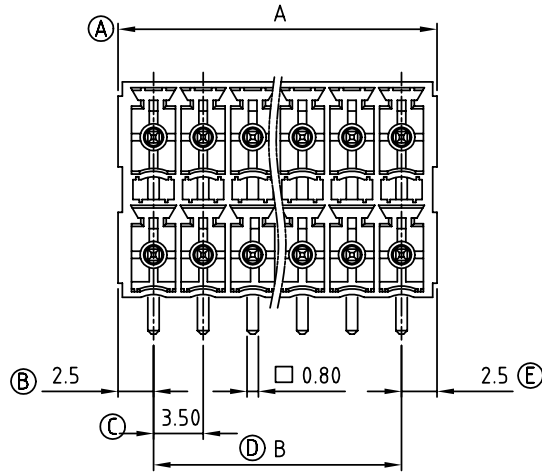


SIGN	DATE	DESCRIPTION	APPROVER
△	9/17'10	How to order is changed	Runner
THIS IS CAD DRAWING, DO NOT REVISE MANUALLY!!!			



Material:

- Item ① Terminal(housing): PA66 30% GF (UL94V-0)
- Item ② Contact pin of short: copper Tin plated
- Item ③ Contact pin of long: copper Tin plated

Electrical:

- Voltage rating: 160V
- Current rating: 5.5A
- Withstanding Voltage: 1.32 KV
- Operating temperature: -40°C to +115°C
- Soldering temperature: 250°C ±10°C/5 Sec
- APPROVAL: US

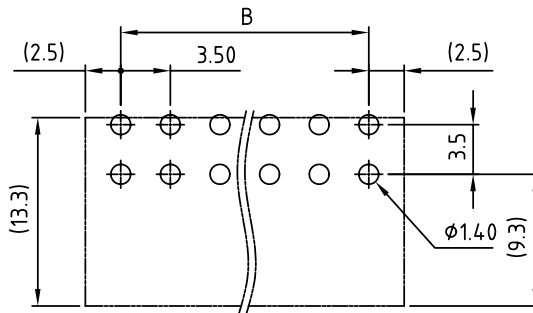
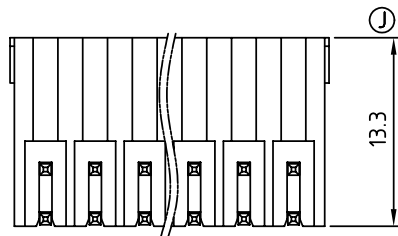
cULus

KE xx 1 1 x 1 xxxx G

No. OF POLES ————  
 04: 2×2 POLES  
 06: 2×3 POLES  
 ⋮  
 48: 2×24 POLES

COLOR ————  
 0 Black (RAL9005)  
 2 Red (RAL3001/D)  
 3 Orange(RAL2011/P)  
 4 Yellow(RAL1018/A)  
 5 Green(RAL6018/T)  
 6 Blue (RAL5015/A)  
 8 Grey(RAL7035/D)

G: Pb<40000ppm  
 A00 0: "@" Mark  
 A00 A: "ANYTEK" Mark  
 Any special item by customer request. please contact sales department.



PCB Layout

POLE		2×2	2×3	2×4	2×5	2×6	2×7	2×8	2×9	2×10	2×11	2×12	
A		8.50	12.00	15.50	19.00	22.50	26.00	29.50	33.00	36.50	40.00	43.50	
B		3.50	7.00	10.50	14.00	17.50	21.00	24.50	28.00	31.50	35.00	38.50	
Tol.		±0.15					±0.20						
POLE		2×13	2×14	2×15	2×16	2×17	2×18	2×19	2×20	2×21	2×22	2×23	2×24
A		47.00	50.50	54.00	57.50	61.00	64.50	68.00	71.50	75.00	78.50	82.00	85.50
B		42.00	45.50	49.00	52.50	56.00	59.50	63.00	66.50	70.00	73.50	77.00	80.50
Tol.		±0.25					±0.30						

ANYTEK				CUSTOMER COPY			
ALL RIGHTS RESERVED. REPRODUCTION OR ISSUE TO THIRD PARTIES IN ANY FORM WHATSOEVER IS NOT PERMITTED WITHOUT WRITTEN AUTHORITY FROM THE PROPRIETOR. PROPERTY OF ANYTEK TECHNOLOGY CO., LTD							
TITLE		KE 3.5mm W/O Flange Series (Right angle) DIP type					
PART NO.		KExx11x1xxxxG			DWG NO.		8KE0007
APPROVED		CHECKED	DESIGNED	DRAWN	CUST NO.		Tolerance
							X. ±0.50
							X.X ±0.30
							X.XX ±0.10
							X° ±1°
		Runner 2010.09.17	Runner 2010.04.12			UNIT: mm	
				SHEET: 01/01		SCALE: NONE	
						REV.: C	