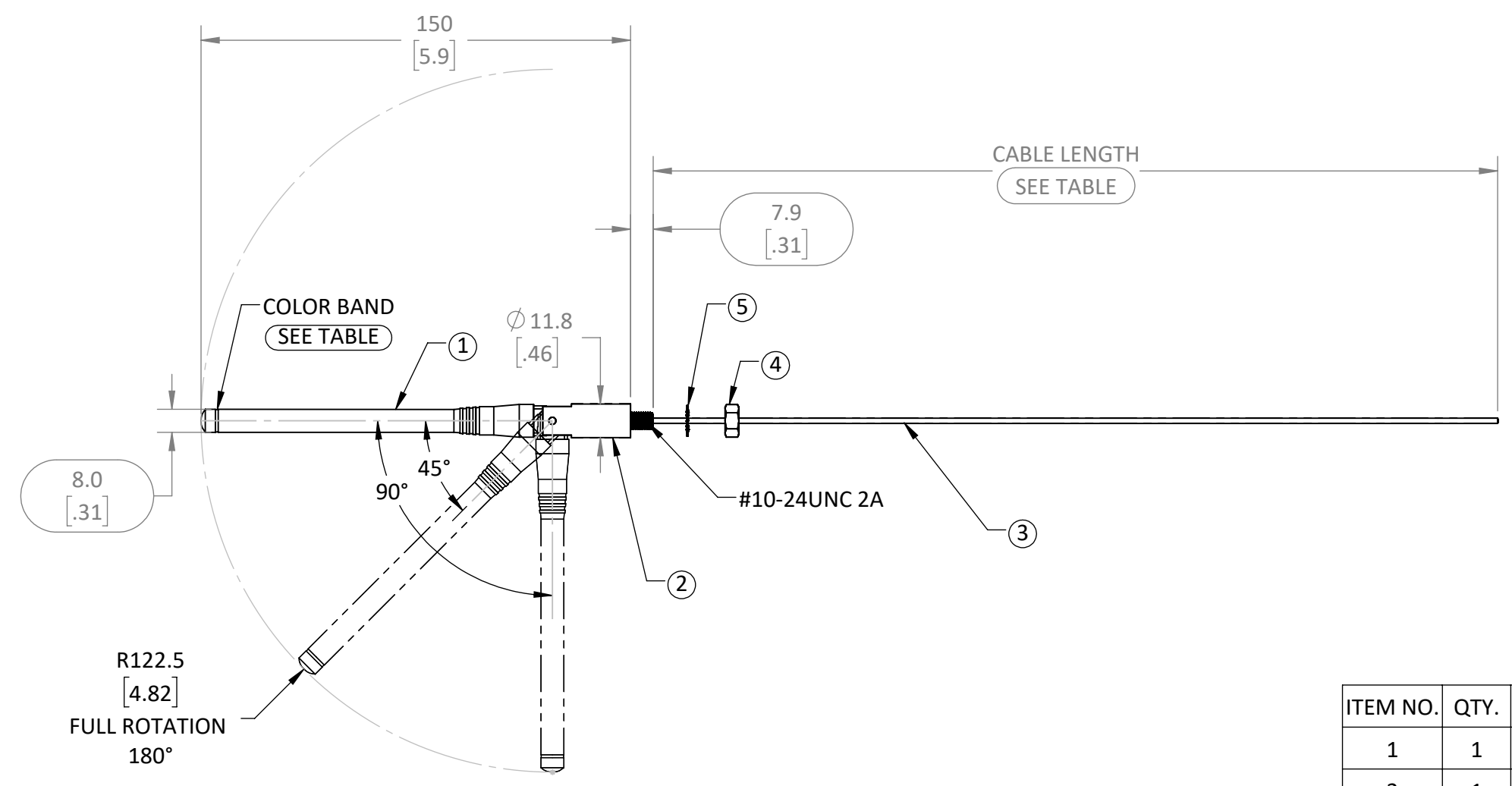


REVISIONS			
REV	DESCRIPTION	DATE	APPV
A	PRODUCTION RELEASE	AJVM 9/13/22	



- NOTES: (UNLESS OTHERWISE SPECIFIED)
1. ALL DIMENSIONS ARE IN MILLIMETERS [IN].
  2. DIMENSIONS APPLY AFTER FINISHING.
  3. MANUFACTURE TO BE COMPLIANT WITH EU RoHS DIRECTIVE, USE MATERIALS THAT DO NOT CONTAIN REACH SUBSTANCES OF VERY HIGH CONCERN >1000ppm, AND USE DRC CONFLICT-FREE SOURCED MATERIALS.
  4. ELECTRICAL SPECIFICATIONS ARE LISTED FOR REFERENCE ONLY. SEE LINX DATA SHEET FOR ELECTRICAL PROPERTIES.
    1. IMPEDANCE: 50Ω
    2. FREQUENCY: SEE TABLE
    3. VSWR: ≤ 1.9 TYP
  5. MECHANICAL:
    1. CONNECTION: STRAIGHT CUT
    2. OPERATING TEMPERATURE RANGE: -40°C TO +90°C
  6. PRODUCT QUALIFIED IAW LINX TEST PLAN AT CURRENT REVISION.
  7. UNLISTED DIMENSIONS ARE CONTROLLED BY SOLID MODEL AT LATEST REVISION.

ITEM NO.	QTY.	PART NUMBER	DESCRIPTION
1	1	MEC-COV-ELE-PML-BLK	ELEMENT BODY COVER TPU PLAS BLK
2	1	MEC-BAS-PML-BLK	BASE SWIV PML THRU NYL66 BLK
3	1	MEC-CBL-COA-RG178-BLK	RG178 COAX CABLE
4	1	MEC-NUT-HEX-10-24-SS	HEX NUT 10-24UNC-2A x.2 CRES PAS
5	1	MEC-WSH-LOC-10-SS	WASHE #10 LOCK TOOTH .03 CRES PAS

LINX PART NUMBER	CABLE LENGTH	COLOR BAND	FREQUENCY
ANT-868-PML	305mm ±10mm	PANTONE #3C	868MHz
ANT-916-PML	305mm ±10mm	PANTONE #116C	916MHz
ANT-2.4-PML	305mm ±10mm	PANTONE #246U	2.4GHz

**WARNING:** THIS DRAWING CONTAINS PROPRIETARY INFORMATION THAT IS THE SOLE PROPERTY OF LINX TECHNOLOGIES, AND SHALL BE TREATED AS SUCH. NO DISCLOSURE OR REPRODUCTION OF THIS DOCUMENT IS PERMITTED, IN WHOLE OR IN PART, WITHOUT THE EXPRESS WRITTEN PERMISSION OF LINX TECHNOLOGIES OR ITS DESIGNATED AGENTS.

**STE connectivity** 159 ORT LANE  
MERLIN, OR 97532

TITLE: **ANTENNA PML TYPE RIGHT ANGLE SWIVEL WHIP**

MATERIAL: INTERPRET DIMENSIONS AND TOLERANCES PER ASME Y14.5.  
 .X ±2.0 ANGLES: ±1°  
 .XX ±1.00 SURFACE:  
 .XXX ±.500

PROJECTION:

WEIGHT:

FINISH: DRAWN: AJVM DT: 9/13/22  
ENGR: DASARATHAN DT: 9/15/22

SIZE DWG. NO. REV  
**B** C-ANT-FFF-PML **A**

SCALE: 1:2 DO NOT SCALE DRAWING SHEET 1 OF 1