

CTLVC6045F Series

From 1.0 μ H to 1000 μ H



SPECIFICATIONS

Please specify inductance tolerance code when ordering.

CTLVC6045F-1R0_ ← M = $\pm 20\%$, N = $\pm 30\%$

*Isat: DC current (A) that will cause L to drop approximately 30%.

**Irms: DC current (A) that will cause an approximate ΔT of 40°C.

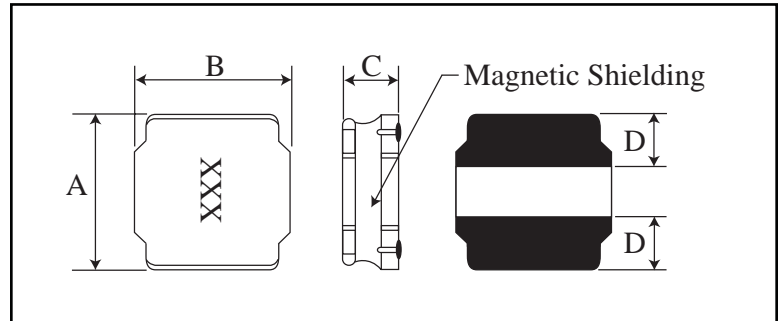
Part Number	Inductance (μ H)	L Test Freq. (kHz)	DCR $\pm 30\%$ (m Ω)	*Isat Typ.(Max.) (A)	**Irms Typ.(Max.) (A)
CTLVC6045F-1R0_	1.0	100	12	12.2(10.98)	6.5(5.85)
CTLVC6045F-1R5_	1.5	100	15	10.4(9.36)	5.9(5.31)
CTLVC6045F-1R8_	1.8	100	17	9.6(8.64)	5.6(5.04)
CTLVC6045F-2R2_	2.2	100	18.4	8.8(7.92)	5.1(4.59)
CTLVC6045F-2R3_	2.3	100	19	8.8(7.92)	5.0(4.50)
CTLVC6045F-3R0_	3.0	100	22	7.8(7.02)	4.4(3.96)
CTLVC6045F-3R3_	3.3	100	24	7.5(6.75)	4.3(3.87)
CTLVC6045F-3R6_	3.6	100	24	7.5(6.75)	4.3(3.87)
CTLVC6045F-3R9_	3.9	100	26	7.0(6.30)	4.0(3.60)
CTLVC6045F-4R5_	4.5	100	31	6.7(6.03)	3.9(3.51)
CTLVC6045F-4R7_	4.7	100	31	6.7(6.03)	3.9(3.51)
CTLVC6045F-5R1_	5.1	100	33	6.0(5.40)	3.5(3.15)
CTLVC6045F-6R3_	6.3	100	40	5.5(4.95)	3.3(2.97)
CTLVC6045F-6R8_	6.8	100	43	5.3(4.77)	3.2(2.88)
CTLVC6045F-8R2_	8.2	100	53	4.6(4.10)	2.9(2.60)
CTLVC6045F-100_	10	100	57	4.5(4.05)	2.7(2.43)
CTLVC6045F-150_	15	100	80	3.4(3.06)	2.2(1.98)
CTLVC6045F-180_	18	100	100	3.1(2.79)	1.8(1.62)
CTLVC6045F-220_	22	100	125	3.0(2.70)	1.9(1.71)
CTLVC6045F-270_	27	100	160	2.5(2.25)	1.3(1.17)
CTLVC6045F-330_	33	100	165	2.3(2.07)	1.4(1.26)
CTLVC6045F-470_	47	100	245	1.9(1.71)	1.2(1.08)
CTLVC6045F-680_	68	100	330	1.6(1.44)	1.0(0.90)
CTLVC6045F-101_	100	100	500	1.3(1.17)	0.8(0.72)
CTLVC6045F-221_	220	100	1300	0.82(0.73)	0.38(0.34)
CTLVC6045F-331_	330	100	1800	0.7(0.63)	0.35(0.31)
CTLVC6045F-102_	1000	100	6000	0.4(0.36)	0.22(0.19)

CHARACTERISTICS

- Description:** SMD power inductors sealed with magnetic resin.
- Applications:** Smart phones, DSC, Tablet PC's, DC/DC converters, etc.
- Operating Temperature:** -55°C to 125°C (including self - temperature rise)
- Inductance Tolerance:** $\pm 20\%$, $\pm 30\%$
- Testing:** Inductance is tested on an HP4284A at 100kHz, 1V
- Packaging:** Tape & Reel.
- Marking:** Parts are marked with inductance code.
- Miscellaneous:** **RoHS Compliant.**
- Additional Information:** Additional electrical & physical information available upon request.
- Samples available. See website for ordering information.**

PHYSICAL DIMENSIONS

Size	A	B	C	D
mm	6.0 ± 0.2	6.0 ± 0.2	4.5 $\pm 0.2, -0.3$	1.8 ± 0.3
inches	0.236 ± 0.008	0.236 ± 0.008	0.177 $\pm 0.008, -0.012$	0.071 ± 0.012



PAD LAYOUT

