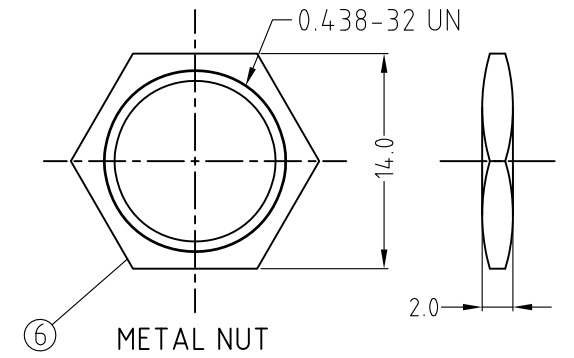
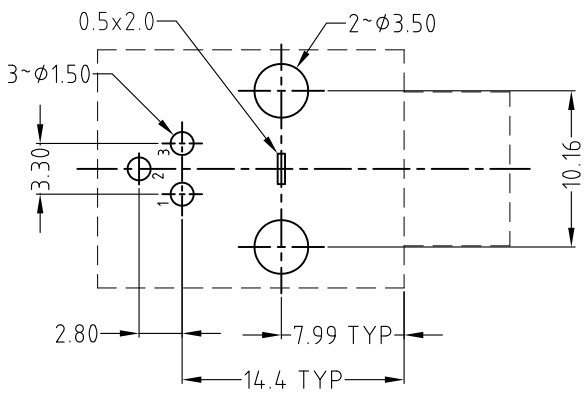


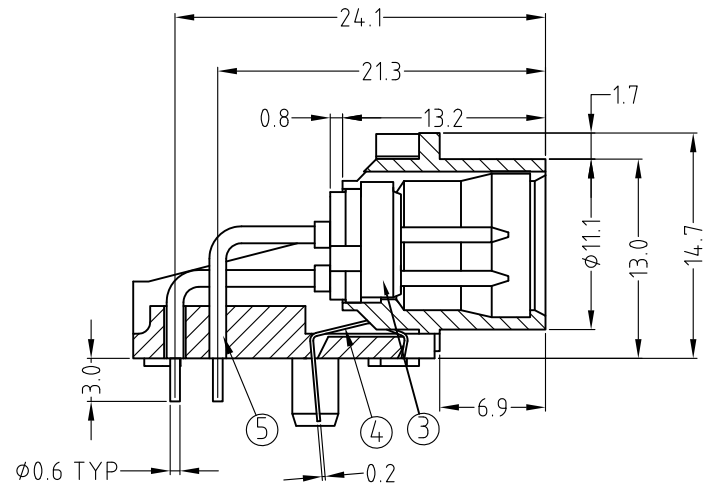
ISO VIEW



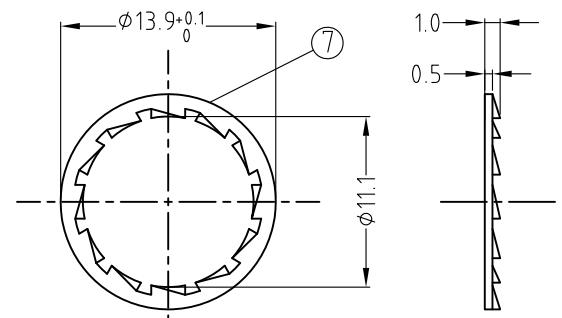
METAL NUT



PCB LAYOUT
(CONNECTOR SIDE)



HALF-SECTION



STAR WASHER

Specification: Electrical
 Contact Resistance: <0.01 ohm
 Insulation Resistance: >500Megaohm
 Dielectric Strength: 1000VDC
 Rated Current: 5A

Mechanical
 Mating: >5000 cycles
 Insertion/withdrawal Force: >10N & <30N.

- Notes:
 1. Part must conform to RoHS compliance
 2. Plastic parts conform to UL94 V-0 compliant.

| ITEM | MATERIAL | ITEM |
|------|---------------------------------|------|
| 1 | VECTRA LCP E130i UL94 V-0-BLACK | 1 |
| 2 | BRASS-NICKEL PLATED | 1 |
| 3 | PA6/BLACK, UL 94 V-0 | 1 |
| 4 | SUS 301/TIN PLATING | 1 |
| 5 | BRASS-GOLD PLATED | 3 |
| 6 | BRASS-NICKEL PLATED | 1 |
| 7 | BRASS-NICKEL PLATED | 1 |

| UNLESS OTHERWISE SPECIFIED TOLERANCE TO BE | | THIS DOCUMENT IS THE PROPERTY OF AMPHENOL AUSTRALIA PTY. LTD.. NO PART THEREOF MAY BE REPRODUCED AND USED WITHOUT THE PRIOR WRITTEN CONSENT OF THE OWNER | | | |
|--|------------|--|-------------|----------------------------|---------------------|
| LINEAR | ANGULAR | CAD FILE: | DRN: | DATE: | TITLE: |
| X ± 0.50 | X° ± 1° | 55010613000112 | M.N.H | 04-08-09 | MINI XLR 3 PIN MALE |
| X,X ± 0.25 | X°X' ± 30' | MATL: SEE NOTES | CKD: M.H. | 17-09-13 | PANEL MOUNT RA PCB |
| X,X ± 0.10 | X°X' ± 15' | DO NOT SCALE | APP'D: M.H. | 17-09-13 | CUSTOMER DRAWING |
| BREAK ALL SHARP EDGES AND REMOVE ALL BURRS | | FINISH: SEE NOTES | SCALE: NTS | PART No: AG3MCCH | SIZE: A4 |
| DIMENSIONS IN MILLIMETRES | | THRD ANGLE PROJECTION | | DRAWING NO. 55010613-000-1 | |

| REV. | CHANGE DETAILS | BY | DATE | CHG/No |
|------|---|-------|----------|--------|
| 2 | CHANGE MATERIAL PA6 TO LCP E130i | M.H | 17-09-13 | 9209 |
| 1 | CHANGE PART NUMBER FROM AGx-F-C TO AGx-FL | M.H | 13-11-09 | 8868 |
| 0 | FIRST ISSUE | M.N.H | 04-08-09 | ---- |

Amphenol
 20 Industry Boulevard, Carrumdowns, Vic 3201
 DRAWING NO. 55010613-000-1 SHEET 1 OF 1