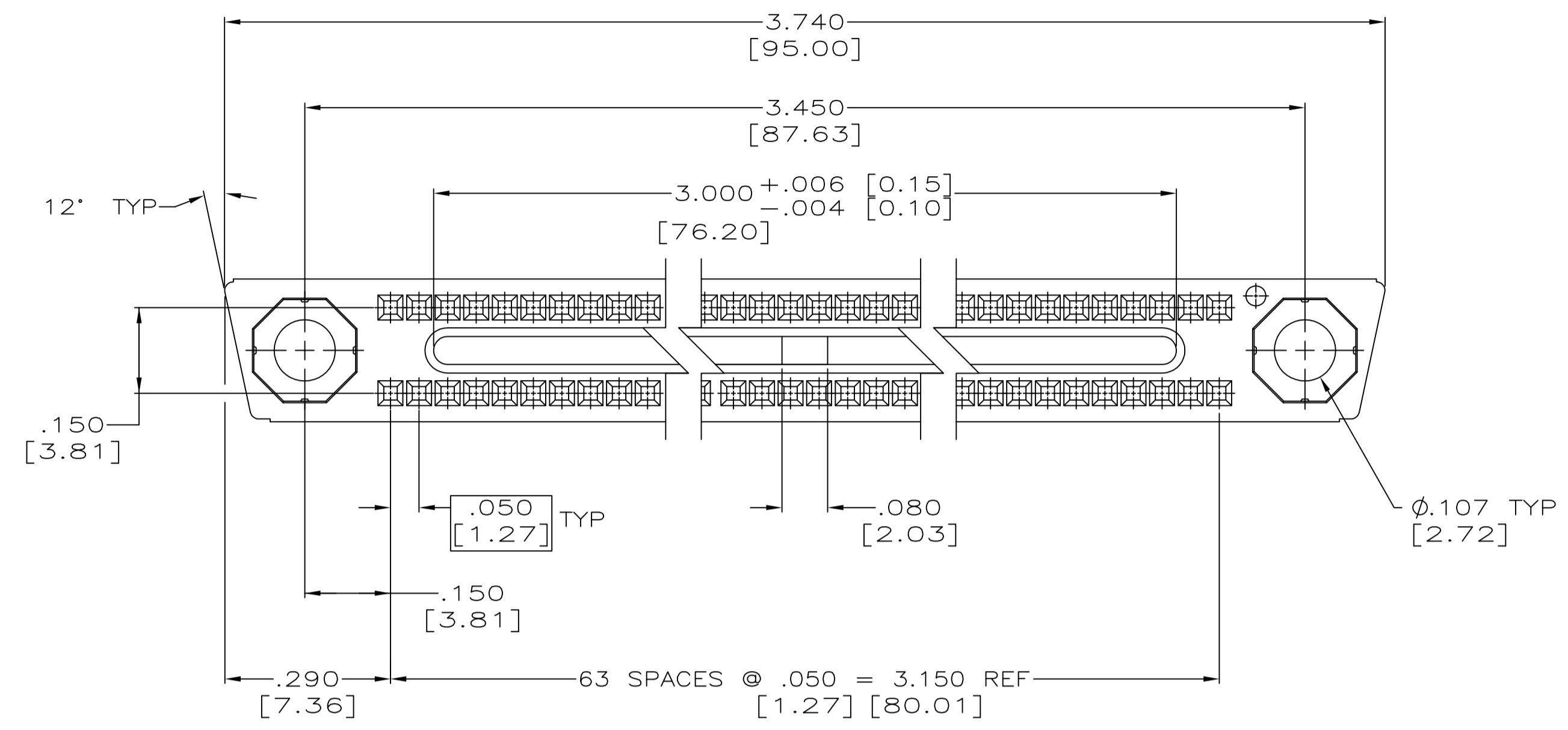
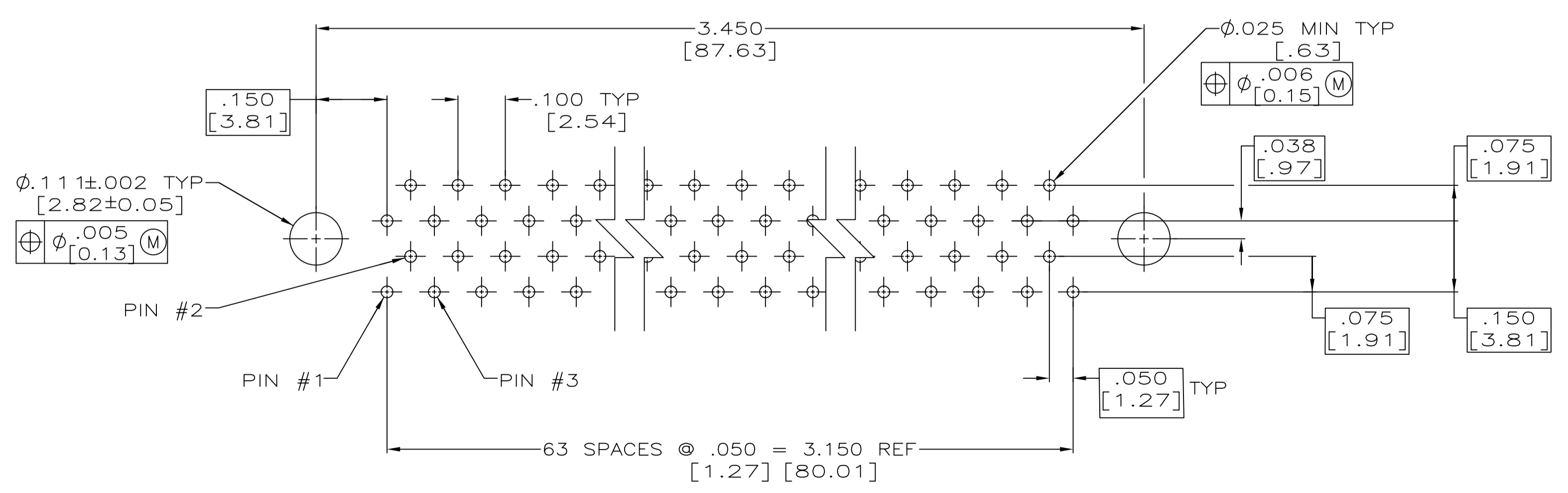
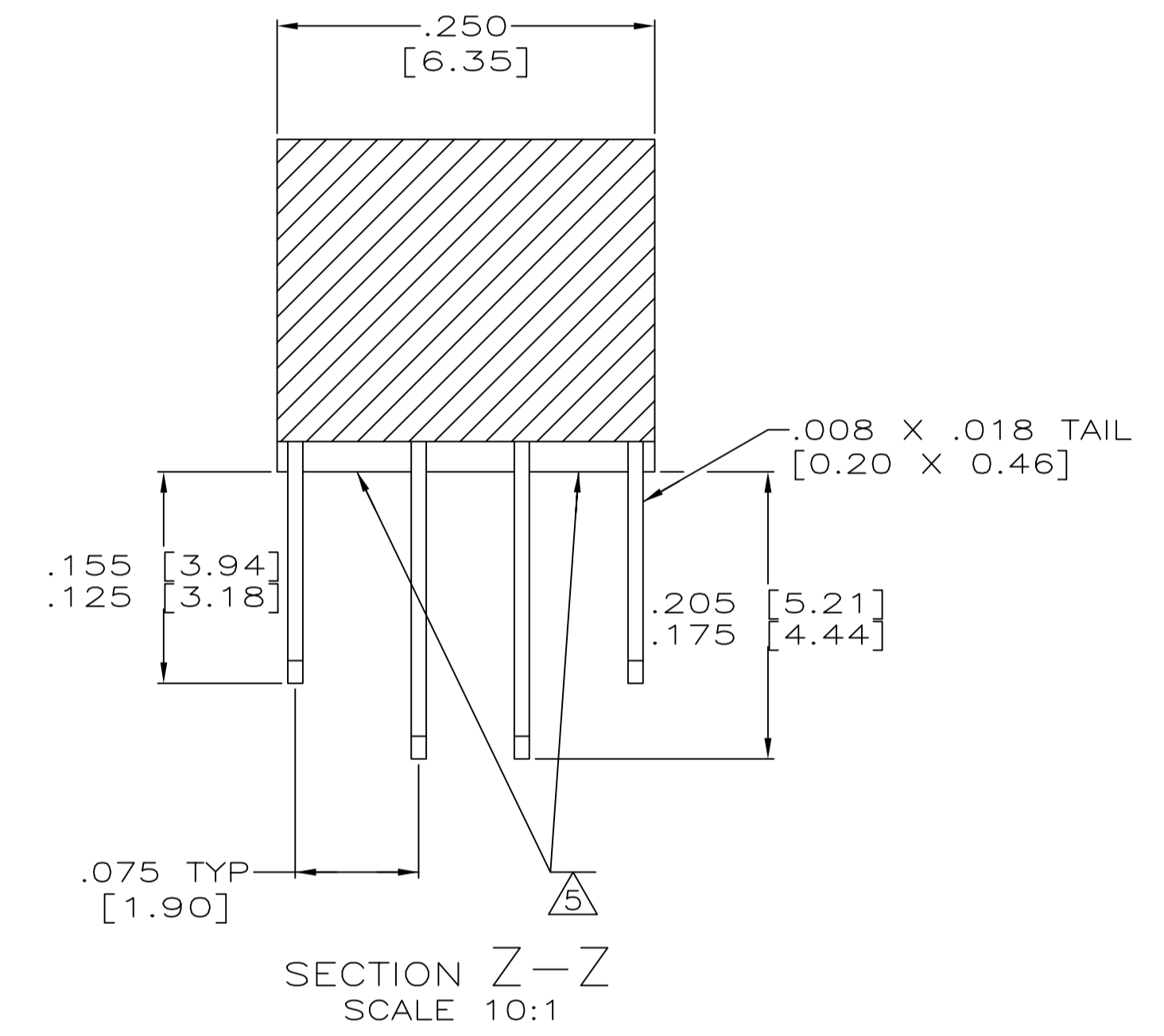
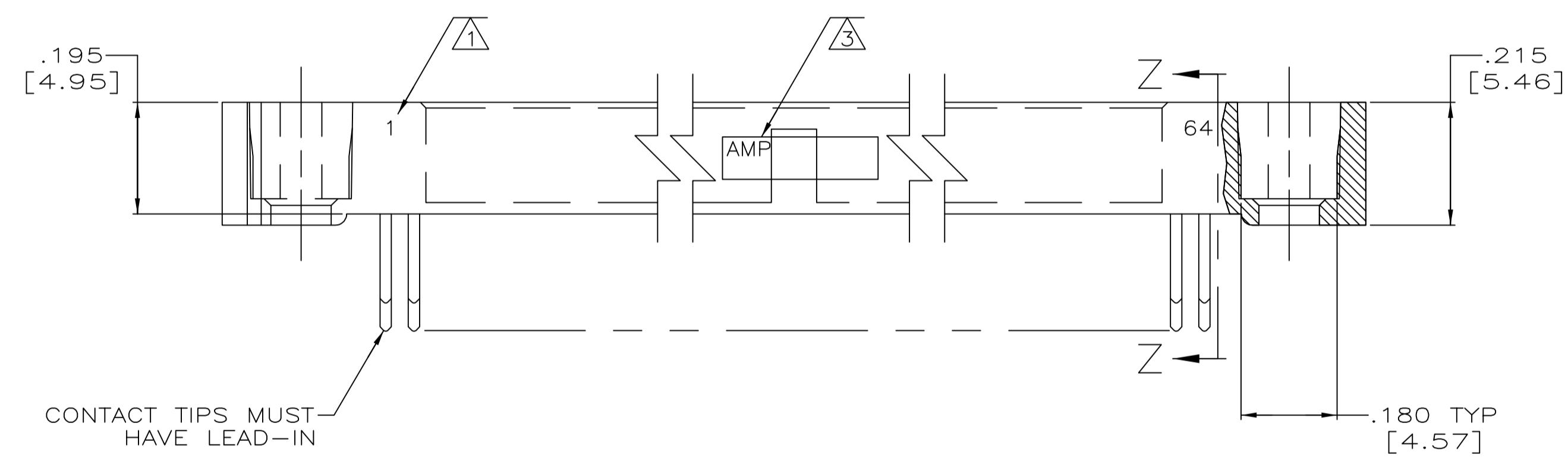


REVISIONS				
P	LTR	DESCRIPTION	DATE	OWN
F		REVISED PER ECO-16-017894	26APR2017	PHM CT



- 1. NUMBERS INDICATING END POSITIONS MARKED THIS SIDE ONLY.
- 2. MEETS ALL APPLICABLE REQUIREMENTS OF MIL-C-55302.
- 3. AMP, PART NO., CUSTOMER P/N AND DATE CODE MARKED APPROX. IN THIS AREA.
- 4. HOUSING MATERIAL: LIQUID CRYSTAL POLYMER PER MIL-M-24519, GLCP-30F; COLOR: GRAY.
- 5. EPOXY SEALANT ADDED TO BOTTOM OF HOUSING.



73030SOCN804697-1	1 - 64	128	447330-1
CUSTOMER PART NUMBER	CAVITY IDENTIFICATION	NUMBER OF POSITIONS	PART NUMBER

THIS DRAWING IS A CONTROLLED DOCUMENT.		DWN T. SHUEY 8-10-90		TE Connectivity
DIMENSIONS: INCHES(mm)		CHK J. HOKE 9-10-90		
TOLERANCES UNLESS OTHERWISE SPECIFIED:		APVD D. STONER 9-10-90		NAME: RECEPTACLE ASSEMBLY, MINI-BOX SEALED, SPECIAL PRODUCT SPEC: APPLICATION SPEC
0 PLC ± - 1 PLC ± - 2 PLC ± - 3 PLC ± .005 [0.13] 4 PLC ± - ANGLES ± - 0°30'		SIZE: A1 CAGE CODE: 00779 DRAWING NO: C=447330		
MATERIAL: HOUSING: 4		FINISH: CONTACT: .000050 THICK GOLD IN CONTACT AREA TIN-LEAD ON TAILS		WEIGHT: CUSTOMER DRAWING SCALE: 5:1 SHEET: 1 OF 1 REV: F