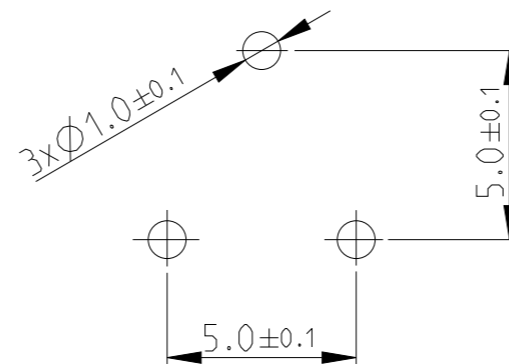
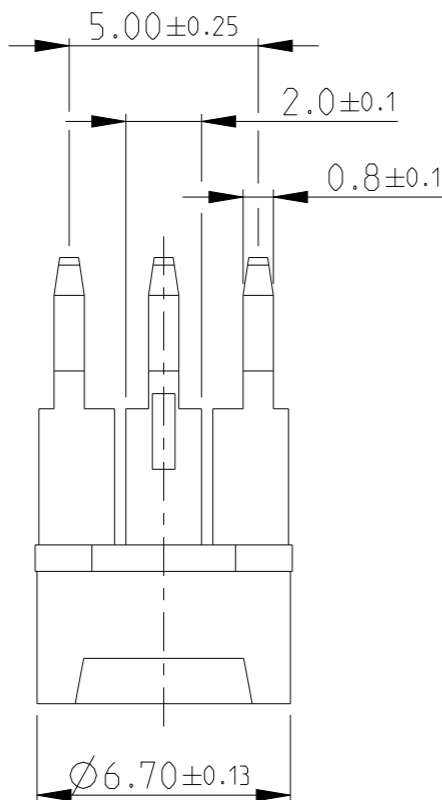


REVISIONS

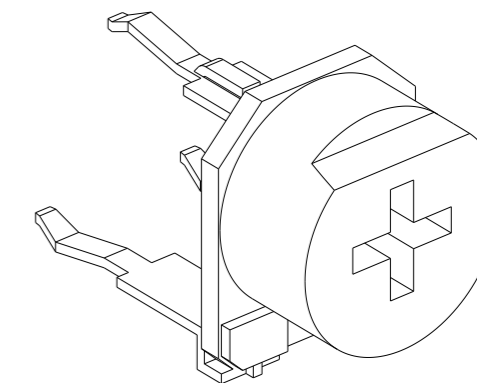
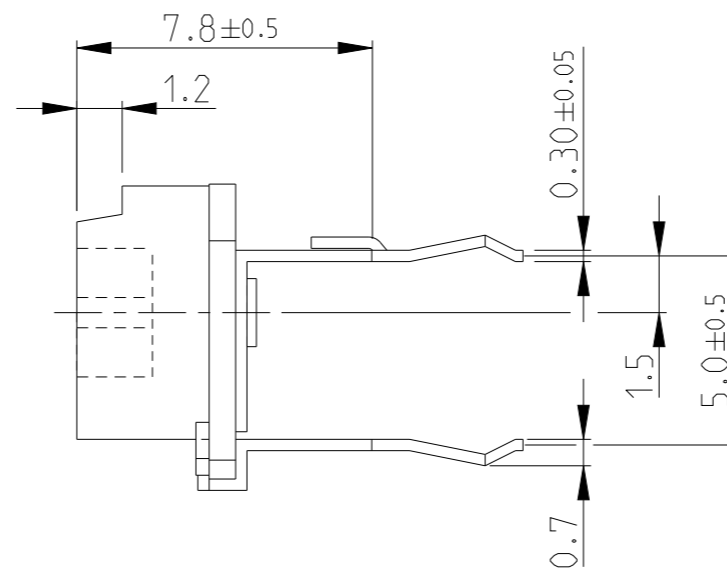
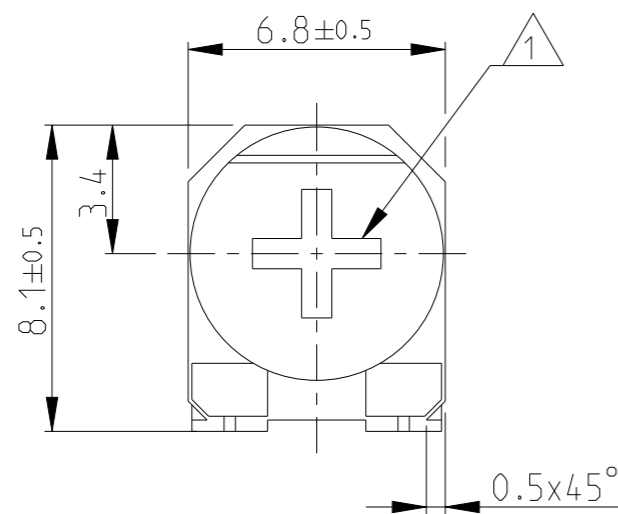
P	LTR	DESCRIPTION	DATE	DWN	APVD
	BA	NEW RELEASE	27NOV2008	SM	St.P
	BA1	OBSOLETE	25MAR2022	DM	AP
	BA2	RELEASED	07APR2022	DM	AP

PCB LAYOUT PLAN



- 1 ADJUSTMENT HEAD: CROSS SLOT- 0.8x3.4, Depth-2
- 2 FOR FURTHER INFORMATION SEE DATA SHEET FOR 416 SERIES-ECONOMY TRIMMERS

RoHS Compliant



THIS DRAWING IS A CONTROLLED DOCUMENT.

DWN SUBHASH.M 27NOV2008
 CHK PRAKASH.S 27NOV2008
 APVD STEPHEN.P 27NOV2008



DIMENSIONS:	TOLERANCES UNLESS OTHERWISE SPECIFIED:
mm	
	0 PLC ±0.2
	1 PLC ±0.1
	2 PLC ±
	3 PLC ±
	4 PLC ±
	ANGLES ±5°
MATERIAL	FINISH
-	-

NAME ECONOMY TRIMMERS SERIES 416M
 PRODUCT SPEC -
 APPLICATION SPEC -
 WEIGHT -
 CUSTOMER DRAWING

SIZE	CAGE CODE	DRAWING NO	RESTRICTED TO
A3	00779	C=1623893	-
SCALE	SHEET	OF	REV
5:1	1	1	BA2