



Neohm | Neohm CRGP

TE Internal #: 2-2176330-5

1.0K Ω , Thick Film, General Purpose Resistor, 1 %, 2 Termination, 2010, Taped & Reeled, 1.25 W, ± 100 ppm/ $^{\circ}\text{C}$, Solder, Neohm CRGP

[View on TE.com >](#)

Passive Components > Resistors > Surface Mount Resistors



Resistor Type: **General Purpose Resistor**

Number of Terminations: **2**

Package Size Code: **2010**

Packaging Method: **Taped & Reeled**

Passive Component Tolerance: **1 %**

Features

Product Type Features

| | |
|-------------------|--------------------------|
| Resistor Type | General Purpose Resistor |
| Package Size Code | 2010 |
| Element Type | Thick Film |

Configuration Features

| | |
|---------------------|---|
| Number of Resistors | 1 |
|---------------------|---|

Electrical Characteristics

| | |
|-----------------------------|---------------------------|
| Operating Voltage | 400 V |
| Passive Component Tolerance | 1 % |
| Resistance Class | 1k Ω – 1M Ω |
| Resistance Value | 1.0K Ω |
| Power Rating | 1.25 W |

Termination Features

| | |
|---|--------|
| Number of Terminations | 2 |
| Surface Mount Resistor Termination Type | Solder |

Dimensions

| | |
|----------------|-----------------|
| Product Height | .55 mm[.022 in] |
| Product Length | 5 mm[.197 in] |
| Product Width | 2.5 mm[.098 in] |



Usage Conditions

| | |
|-------------------------|-----------------------------------|
| Temperature Coefficient | ± 100 ppm/ $^{\circ}\text{C}$ |
|-------------------------|-----------------------------------|

Packaging Features

| | |
|------------------|----------------|
| Packaging Method | Taped & Reeled |
|------------------|----------------|

Product Compliance

[For compliance documentation, visit the product page on TE.com>](#)

| | |
|---|---|
| EU RoHS Directive 2011/65/EU | Compliant with Exemptions |
| EU ELV Directive 2000/53/EC | Compliant with Exemptions |
| China RoHS 2 Directive MIIT Order No 32, 2016 | Restricted Materials Above Threshold |
| EU REACH Regulation (EC) No. 1907/2006 | Current ECHA Candidate List: JUNE 2023 (235) Candidate List Declared Against: JUNE 2023 (235) Does not contain REACH SVHC |
| Halogen Content | Low Halogen - Br, Cl, F, I < 900 ppm per homogenous material. Also BFR/CFR/PVC Free |
| Solder Process Capability | Reflow solder capable to 260 $^{\circ}\text{C}$ |

Product Compliance Disclaimer

This information is provided based on reasonable inquiry of our suppliers and represents our current actual knowledge based on the information they provided. This information is subject to change. The part numbers that TE has identified as EU RoHS compliant have a maximum concentration of 0.1% by weight in homogenous materials for lead, hexavalent chromium, mercury, PBB, PBDE, DBP, BBP, DEHP, DIBP, and 0.01% for cadmium, or qualify for an exemption to these limits as defined in the Annexes of Directive 2011/65/EU (RoHS2). Finished electrical and electronic equipment products will be CE marked as required by Directive 2011/65/EU. Components may not be CE marked. Additionally, the part numbers that TE has identified as EU ELV compliant have a maximum concentration of 0.1% by weight in homogenous materials for lead, hexavalent chromium, and mercury, and 0.01% for cadmium, or qualify for an exemption to these limits as defined in the Annexes of Directive 2000/53/EC (ELV). Regarding the REACH Regulation, the information TE provides on SVHC in articles for this part number is based on the latest European Chemicals Agency (ECHA) 'Guidance on requirements for substances in articles' posted at this URL: <https://echa.europa.eu/guidance-documents/guidance-on-reach>

Compatible Parts



TE Part # 2176326-2
CRGP 0603 12R 1%



TE Part # 5-2176327-4
CRGP 0805 270K 1%



TE Part # 2-2176328-3
CRGP 1206 680R 1%



TE Part # 6-2176330-1
CRGP 2010 1M0 1%



TE Part # 4-2176331-9
CRGP 2512 100K 1%

Also in the Series | Neohm CRGP



Surface Mount Resistors(432)

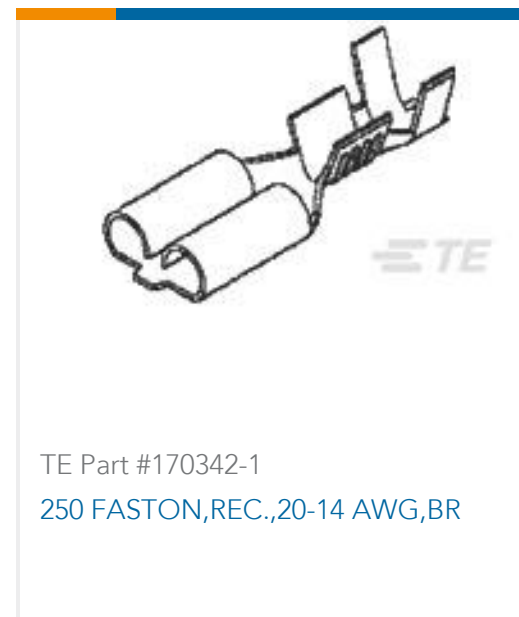
Customers Also Bought



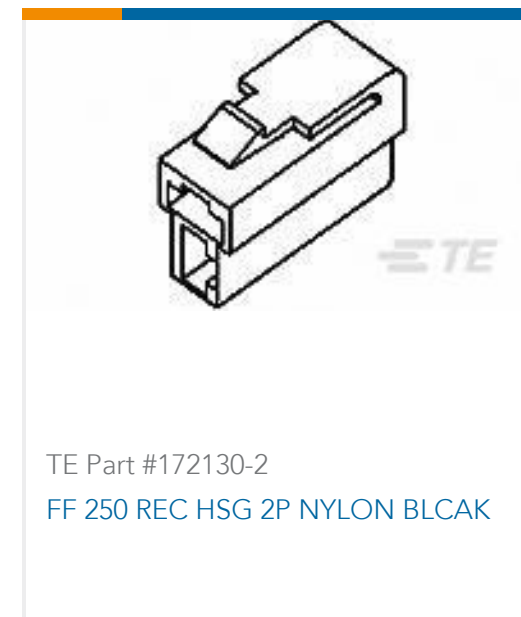
TE Part #5-103634-3
04 MTE HDR SRRA LATCH.100CL LF



TE Part #5-103669-4
05 MTE HDR SRST LATCH W/HLDWN



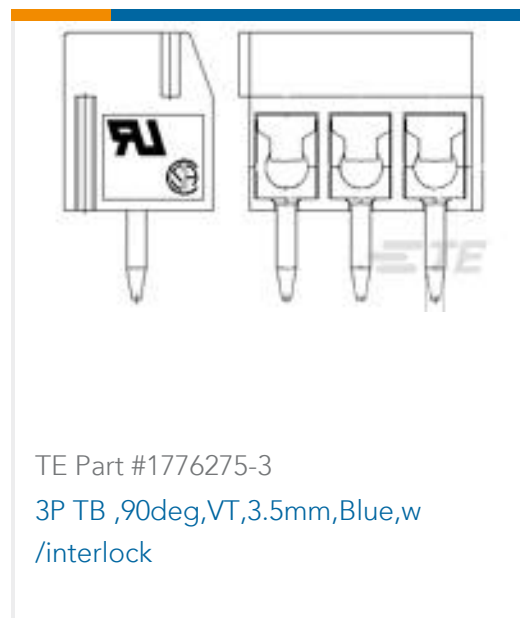
TE Part #170342-1
250 FASTON,REC.,20-14 AWG,BR



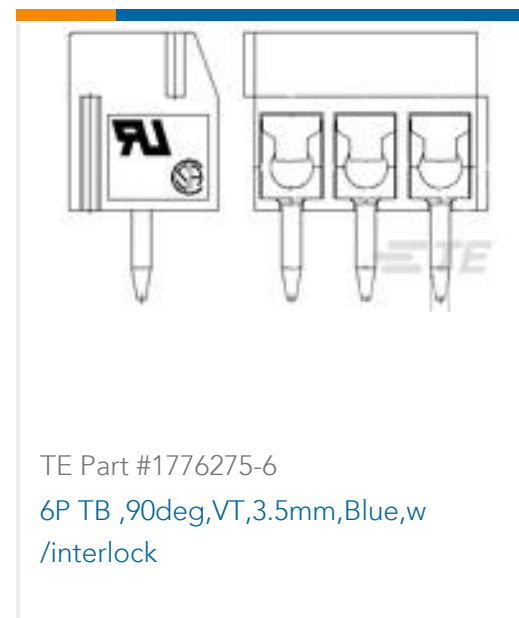
TE Part #172130-2
FF 250 REC HSG 2P NYLON BLCBK



TE Part #170340-1
FF 250 TAB 20-14AWG BR WITHOUT LATCH



TE Part #1776275-3
3P TB ,90deg,VT,3.5mm,Blue,w /interlock



TE Part #1776275-6
6P TB ,90deg,VT,3.5mm,Blue,w /interlock



TE Part #5557566-1
MOD JK ASSY,8PORT,8POSN,RTANG



Documents

Product Drawings

[CRGP 2010 1K0 1%](#)

English

CAD Files

[3D PDF](#)

3D

Customer View Model

[ENG_CVM_CVM_2-2176330-5_BA.2d_dxf.zip](#)

English

Customer View Model

[ENG_CVM_CVM_2-2176330-5_BA.3d_igs.zip](#)

English

Customer View Model

[ENG_CVM_CVM_2-2176330-5_BA.3d_stp.zip](#)

English

By downloading the CAD file I accept and agree to the [Terms and Conditions](#) of use.

Datasheets & Catalog Pages

[CRGP Data Sheet](#)

English