



Neohm | Neohm CRGCQ

TE Internal #: 4-2176343-6

56K  $\Omega$ , Thick Film, General Purpose Resistor, 1 %, 2 Termination, 1206, Taped & Reeled, .25 W,  $\pm 100$  ppm/ $^{\circ}\text{C}$ , Solder, Neohm CRGCQ

[View on TE.com >](#)

Passive Components > Resistors > Surface Mount Resistors



Resistor Type: **General Purpose Resistor**

Number of Terminations: **2**

Package Size Code: **1206**

Packaging Method: **Taped & Reeled**

Passive Component Tolerance: **1 %**

## Features

### Product Type Features

Resistor Type	General Purpose Resistor
Package Size Code	1206
Element Type	Thick Film

### Configuration Features

Number of Resistors	1
---------------------	---

### Electrical Characteristics

Operating Voltage	200 V
Passive Component Tolerance	1 %
Resistance Class	1k $\Omega$ – 1M $\Omega$
Resistance Value	56K $\Omega$
Power Rating	.25 W

### Termination Features

Number of Terminations	2
Surface Mount Resistor Termination Type	Solder

### Dimensions

Product Height	.55 mm[.022 in]
Product Length	3.1 mm[.122 in]



Product Width	1.55 mm[.061 in]
---------------	------------------

### Usage Conditions

Temperature Coefficient	$\pm 100$ ppm/ $^{\circ}$ C
-------------------------	-----------------------------

### Packaging Features

Packaging Method	Taped & Reeled
------------------	----------------

## Product Compliance

[For compliance documentation, visit the product page on TE.com>](#)

EU RoHS Directive 2011/65/EU	Compliant with Exemptions
------------------------------	---------------------------

EU ELV Directive 2000/53/EC	Compliant with Exemptions
-----------------------------	---------------------------

China RoHS 2 Directive MIIT Order No 32, 2016	Restricted Materials Above Threshold
---	--------------------------------------

EU REACH Regulation (EC) No. 1907/2006	Current ECHA Candidate List: JUNE 2023 (235) Candidate List Declared Against: JUNE 2023 (235) Does not contain REACH SVHC
--	---

Halogen Content	Low Halogen - Br, Cl, F, I < 900 ppm per homogenous material. Also BFR/CFR/PVC Free
-----------------	---

Solder Process Capability	Reflow solder capable to 260 $^{\circ}$ C
---------------------------	---

#### Product Compliance Disclaimer

This information is provided based on reasonable inquiry of our suppliers and represents our current actual knowledge based on the information they provided. This information is subject to change. The part numbers that TE has identified as EU RoHS compliant have a maximum concentration of 0.1% by weight in homogenous materials for lead, hexavalent chromium, mercury, PBB, PBDE, DBP, BBP, DEHP, DIBP, and 0.01% for cadmium, or qualify for an exemption to these limits as defined in the Annexes of Directive 2011/65/EU (RoHS2). Finished electrical and electronic equipment products will be CE marked as required by Directive 2011/65/EU. Components may not be CE marked. Additionally, the part numbers that TE has identified as EU ELV compliant have a maximum concentration of 0.1% by weight in homogenous materials for lead, hexavalent chromium, and mercury, and 0.01% for cadmium, or qualify for an exemption to these limits as defined in the Annexes of Directive 2000/53/EC (ELV). Regarding the REACH Regulation, the information TE provides on SVHC in articles for this part number is based on the latest European Chemicals Agency (ECHA) 'Guidance on requirements for substances in articles' posted at this URL: <https://echa.europa.eu/guidance-documents/guidance-on-reach>

## Compatible Parts



TE Part # 1-2176341-7  
CRGCQ 0805 220R 1%

TE Part # 1-2176345-2  
CRGCQ 1210 82R 1%

TE Part # 1-2176347-7  
CRGCQ 2010 220R 1%

TE Part # 2176349-4  
CRGCQ 2512 18R 1%

TE Part # 1-2176350-2  
CRGCQ 2512 68R 5%

Also in the Series | **Neohm CRGCQ**

Surface Mount Resistors(728)

Customers Also Bought

TE Part #8-2176231-4  
3522 30K 1% 3W

TE Part #3-1879073-4  
THS10 120R 5%

TE Part #1-794074-0  
14P MINI UMNL HDR W/O DH SN LF

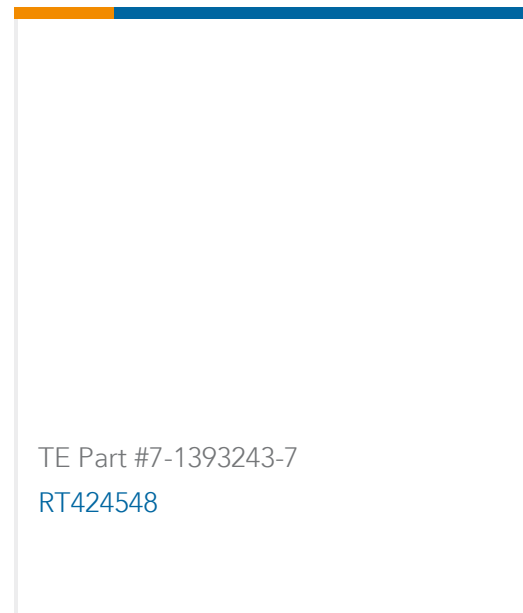
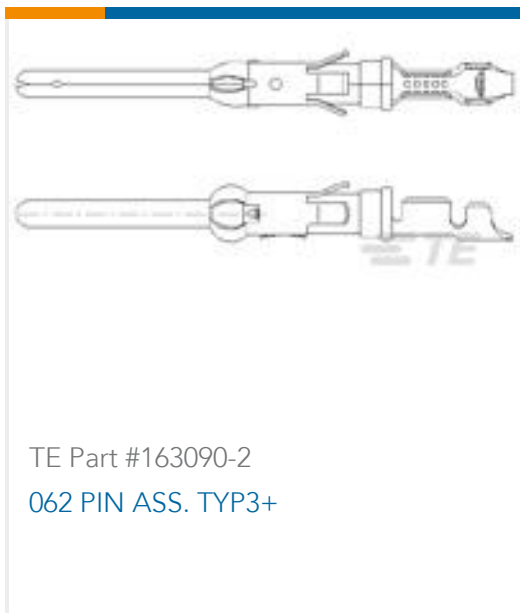
TE Part #2176093-6  
RP 2A 0.25W 10K2 0.1% 25PPM 1K RL

TE Part #4-2176343-9  
CRGCQ 1206 100K 1%

TE Part #2176343-6  
CRGCQ 1206 27R 1%

TE Part #5-2176343-6  
CRGCQ 1206 390K 1%

TE Part #4-2176343-8  
CRGCQ 1206 82K 1%



## Documents

### Product Drawings

[CRGCQ 1206 56K 1%](#)

English

### CAD Files

[3D PDF](#)

3D

Customer View Model

[ENG\\_CVM\\_CVM\\_4-2176343-6\\_BA.2d\\_dxf.zip](#)

English

Customer View Model

[ENG\\_CVM\\_CVM\\_4-2176343-6\\_BA.3d\\_igs.zip](#)

English

Customer View Model

[ENG\\_CVM\\_CVM\\_4-2176343-6\\_BA.3d\\_stp.zip](#)

English

By downloading the CAD file I accept and agree to the [Terms and Conditions](#) of use.