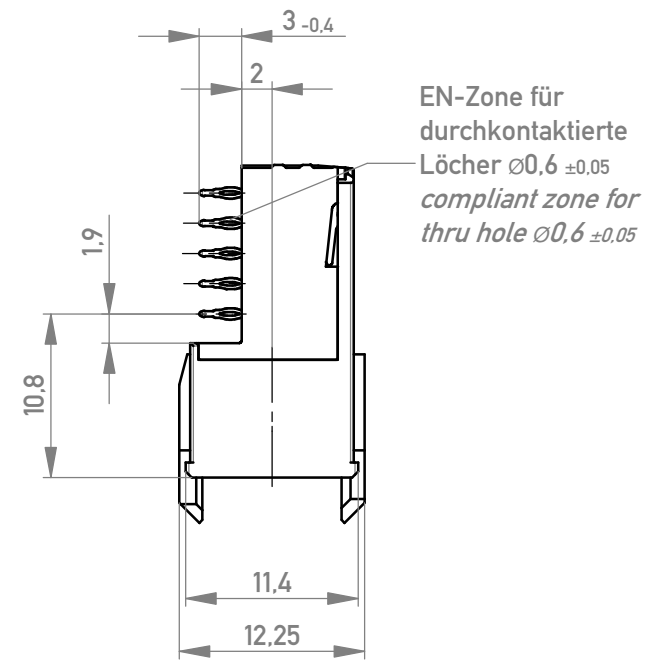
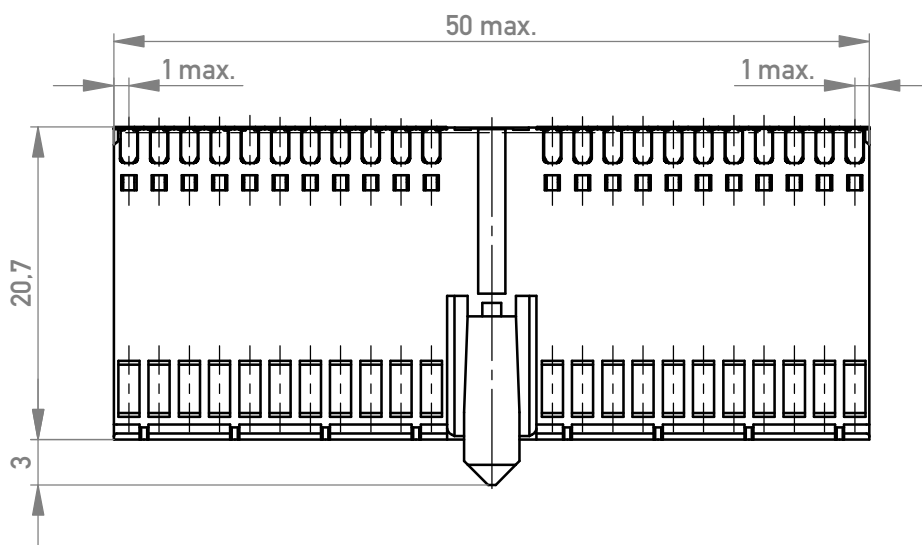
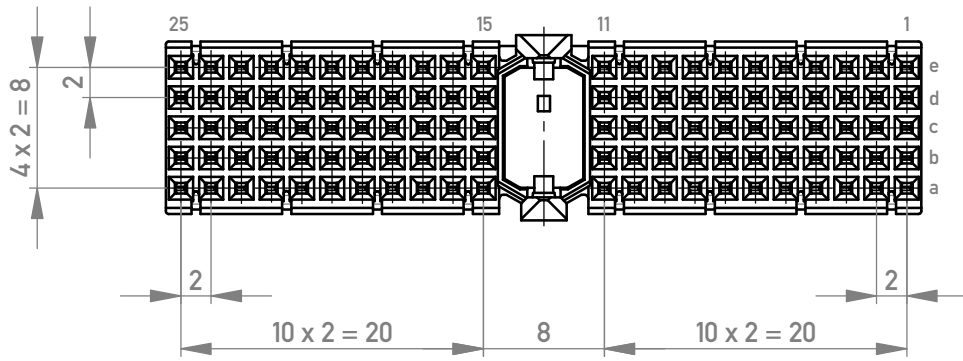
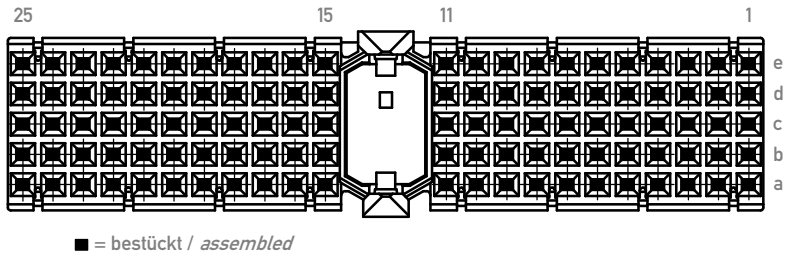
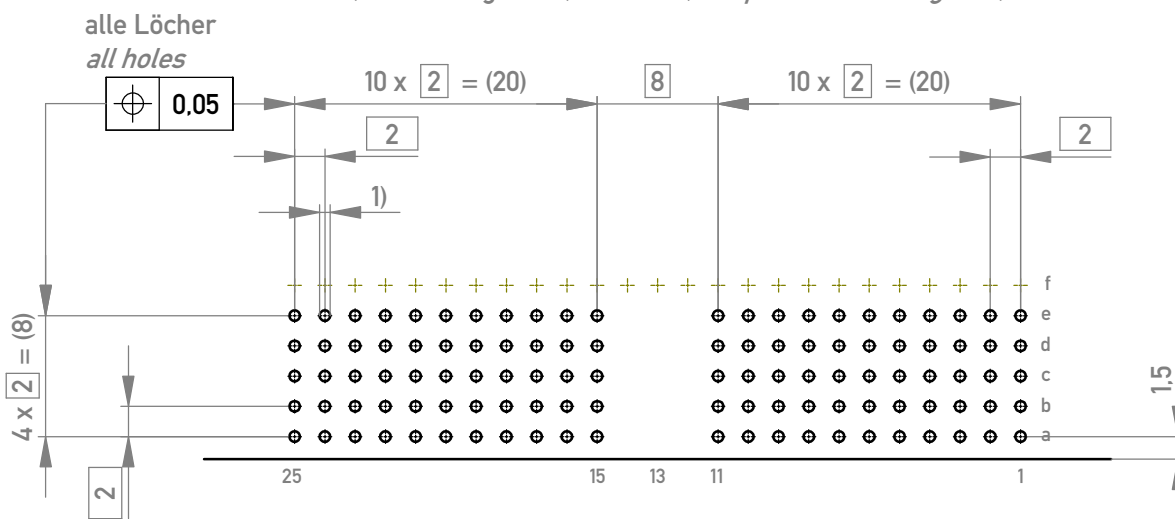


Bestückungsplan / contact layout



Lochbild für Leiterplatte Board hole pattern  
(Bestückungsseite) (Component mounting side)



- 1)  $\varnothing 0,6 \pm 0,05$  Durchmesser des metallisierten Loches  
 $\varnothing 0,6 \pm 0,05$  Diameter of finished plated-through hole

Schichtaufbau im metallisierten Loch  
siehe Zeichnung 164062 Nr.1  
Metal plating of plated through hole  
according to 164062 No.1

Fehlende Maße und Angaben nach IEC 61076-4-101  
Missing information and dimensions per IEC 61076-4-101

Information: ohne Fixierstift / without locating pegs Anforderungsstufe 2 / class 2 BA2	Tolerances	 All Dimensions in mm	Scale	2:1
	All rights reserved. Only for Information. To ensure that this is the latest version of this drawing, please contact one of the ERNI companies before using.		Subject to modification without prior notice. Drawing will not be updated.	Designation
Copyright by ERNI Production GmbH & Co. KG Proprietary notice pursuant to ISO 14016 to be observed.	 www.ERNI.com	ERmet Federleiste A ERmet Female Type A		1
		d	28.11.2017	354141
Index	Date	Class	ERMA	