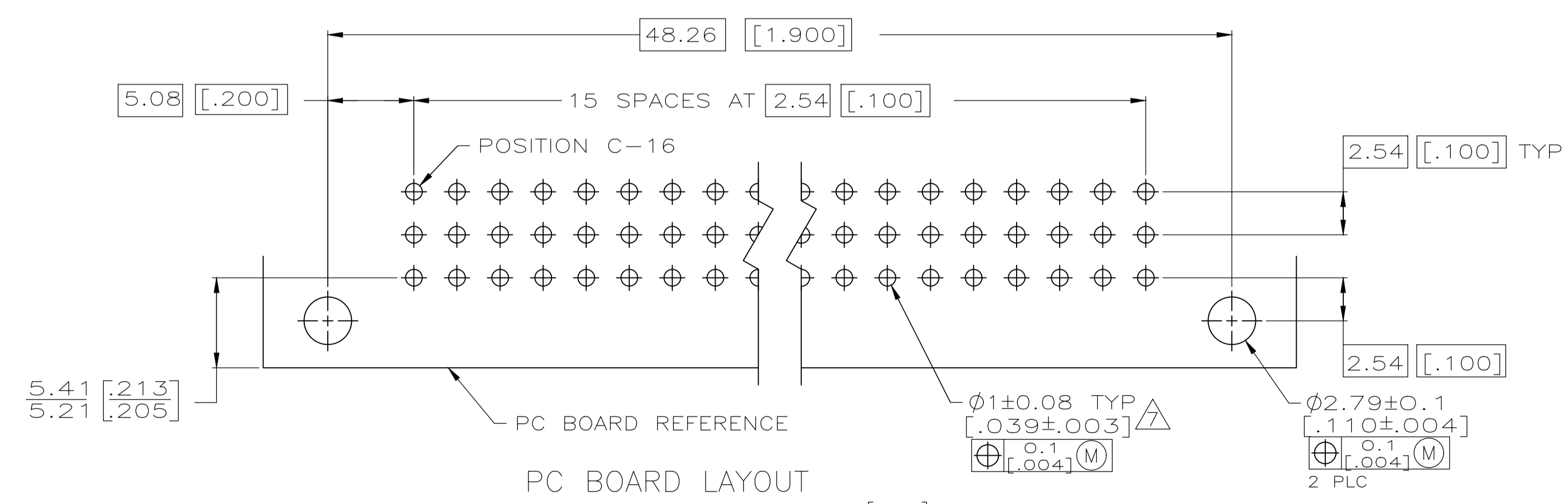
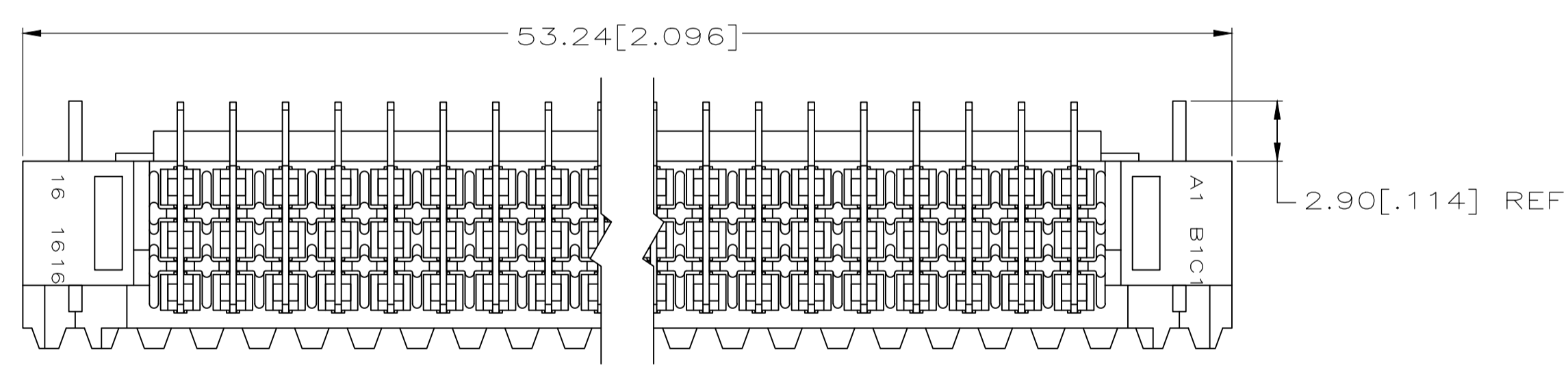
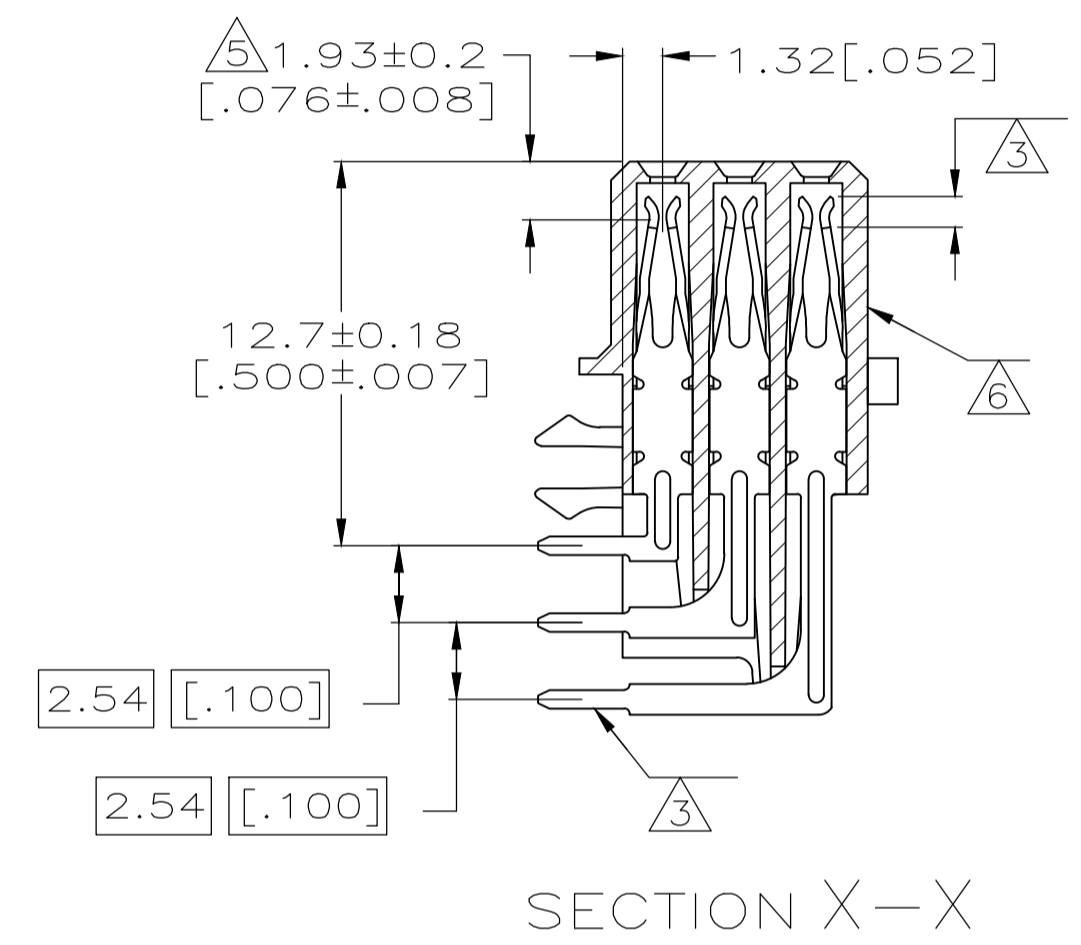
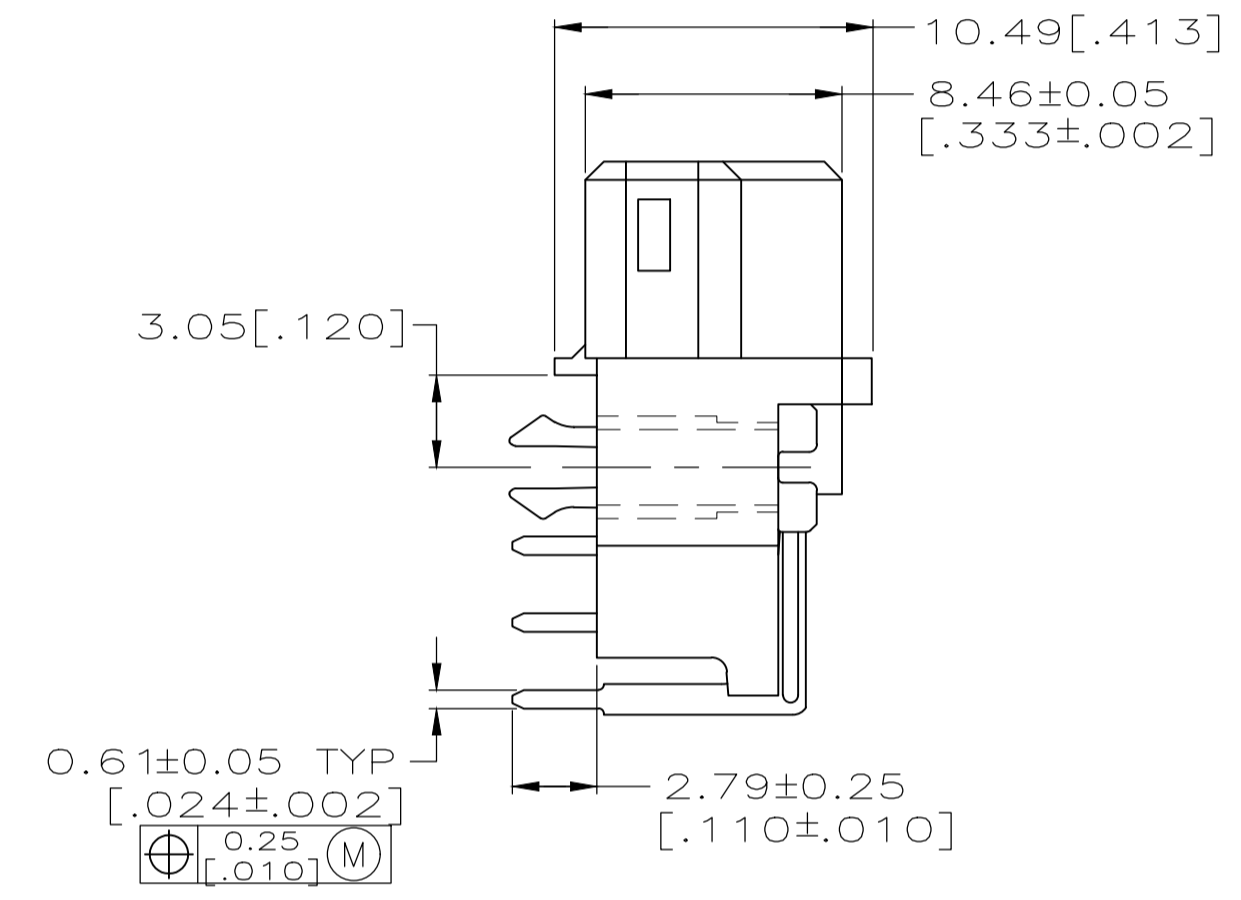
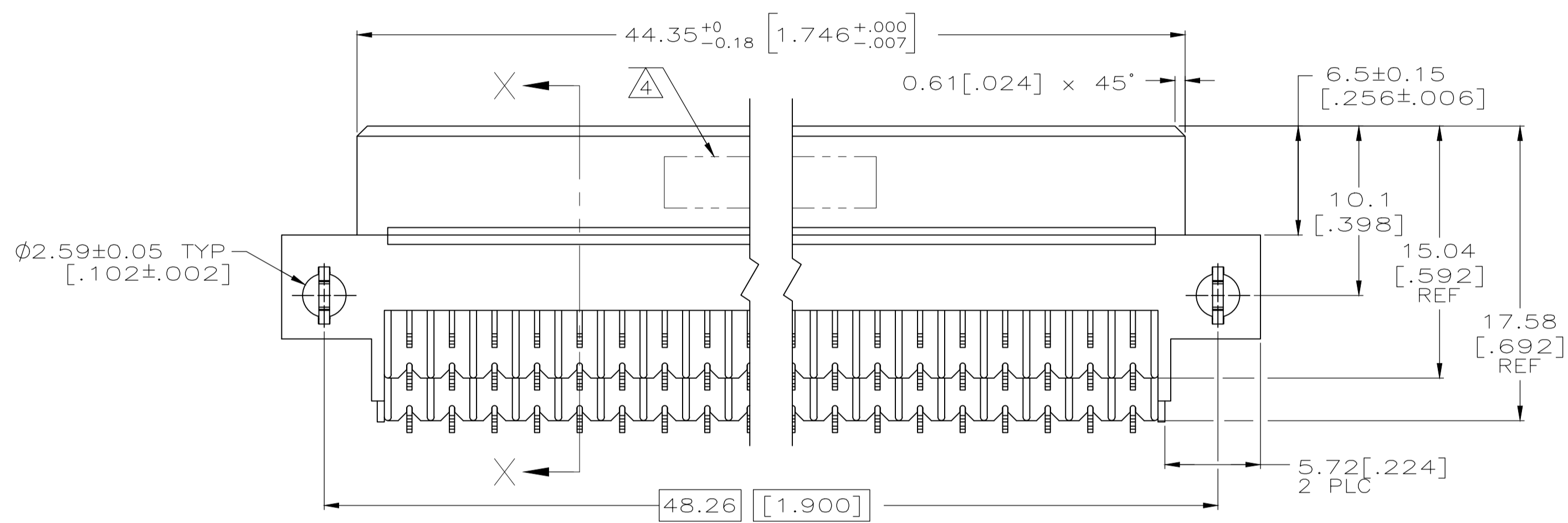
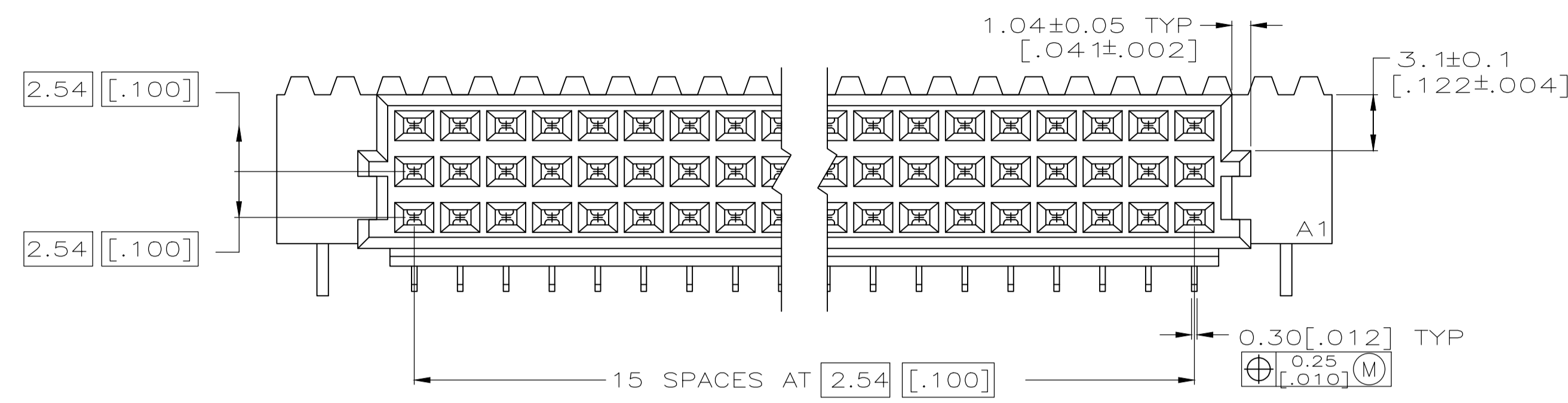


REVISIONS				
P	LTR	DESCRIPTION	DATE	APP'D
A		REVISE PER ECO-20-009607	09JUL20	RZ HL

- ① HOUSING MATERIAL: GLASS-FILLED POLYMER.
- ② CONTACT MATERIAL: COPPER ALLOY.
- ③ POST FINISH: DIN 41612 CLASS 2 IN CONTACT AREA. TIN PLATE ON POSTS.
- ④ PART NUMBER, DATE CODE IDENTIFICATION, CSA LOGO, THIS APPROXIMATE AREA.
- ⑤ CONTACT POINT.
- ⑥ MARKING ON THIS SIDE.
- △ RECOMMENDED HOLE SIZE FOR MANUAL APPLICATION OF CONNECTOR ONTO PC BOARD.



PC BOARD LAYOUT
RECOMMENDED PC BOARD THICKNESS 1.57 [.062]

POSITIONS LOADED	C	B	A	NO. OF LOADED POSITIONS	PART NUMBER
1-16	X	X	X	48	5650893-5
1-16	X	X	X	48	5650893-4

THIS DRAWING IS A CONTROLLED DOCUMENT.

DIMENSIONS: mm [INCHES]	TOLERANCES UNLESS OTHERWISE SPECIFIED:	DIN J. POLIGNONE 03JUN05	DRW A. SHARPE 03JUN05	NAME
0 PLC ± -	1 PLC ± -	2 PLC ± 0.13 [.005]	3 PLC ± -	4 PLC ± -
ANGLER ± -				
MATERIAL	FINISH	WEIGHT 0.000000	SIZE A1	CAGE CODE 00779
				DRAWING NO. 5650893

STE TE Connectivity

ASSY_REC, EUROCARD, TYPE 1/2R
LEAD-FREE, 48 POS, 2.79 SOLDER POSTS WITH BOARD-LOCKS

CUSTOMER DRAWING SCALE 4:1 SHEET 1 OF 1 REV A