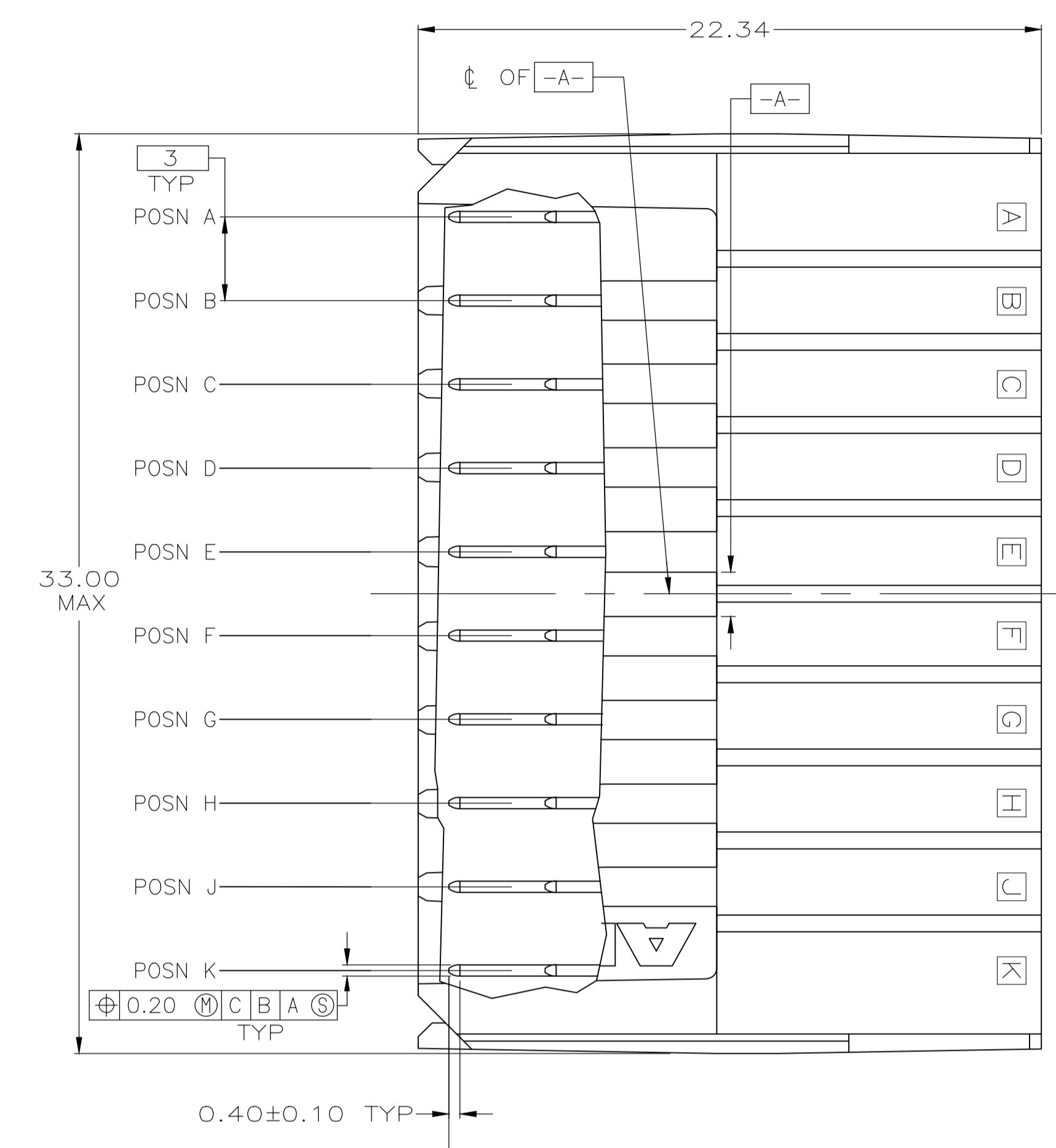
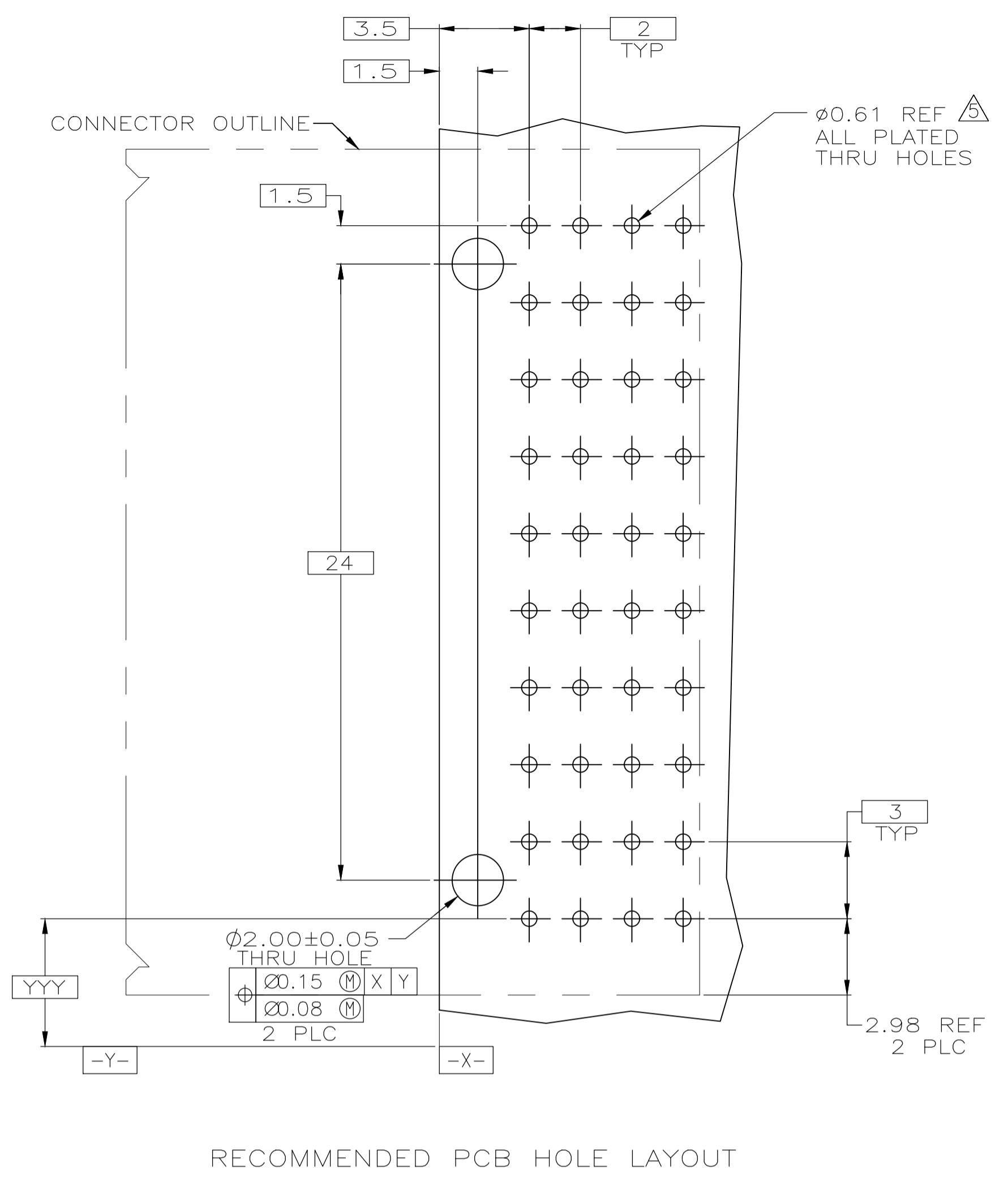
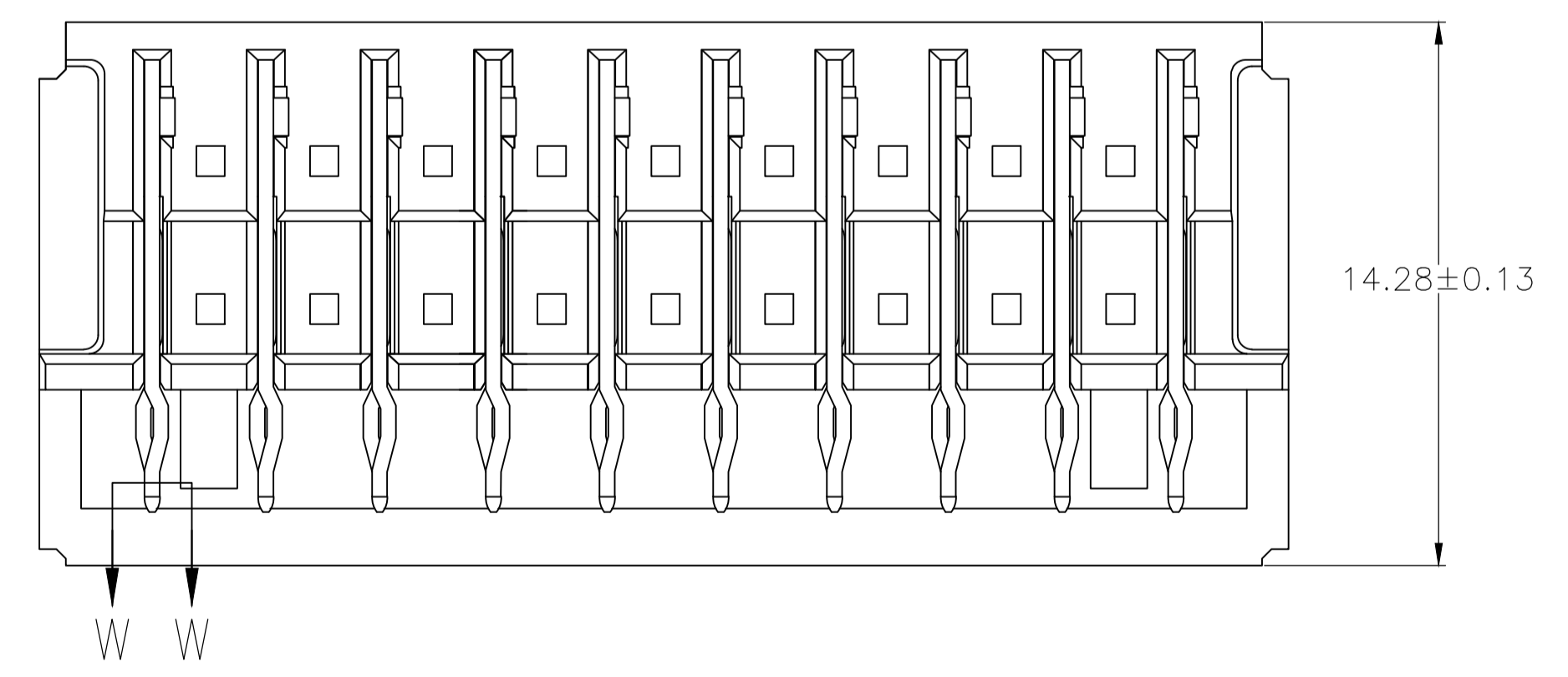
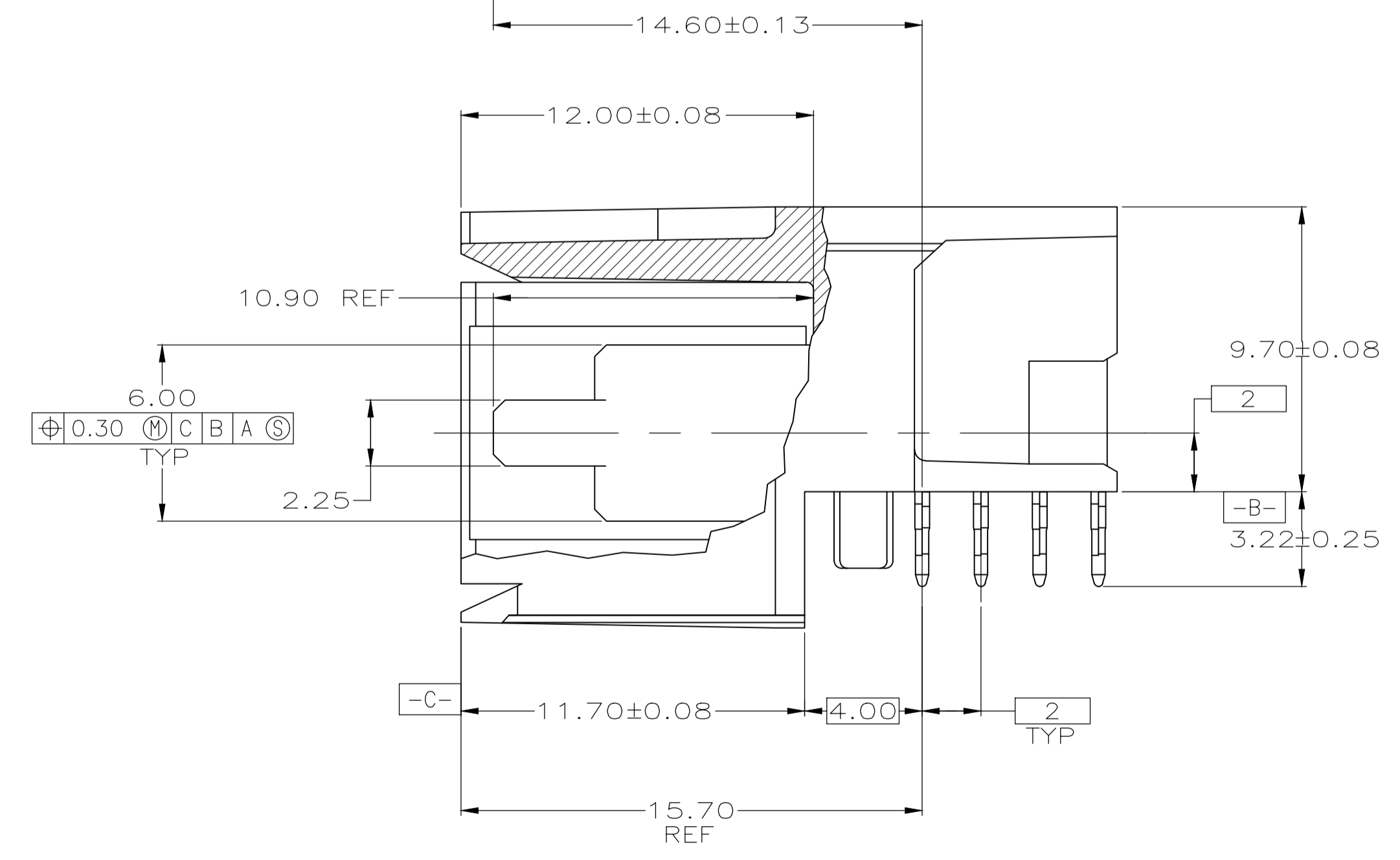
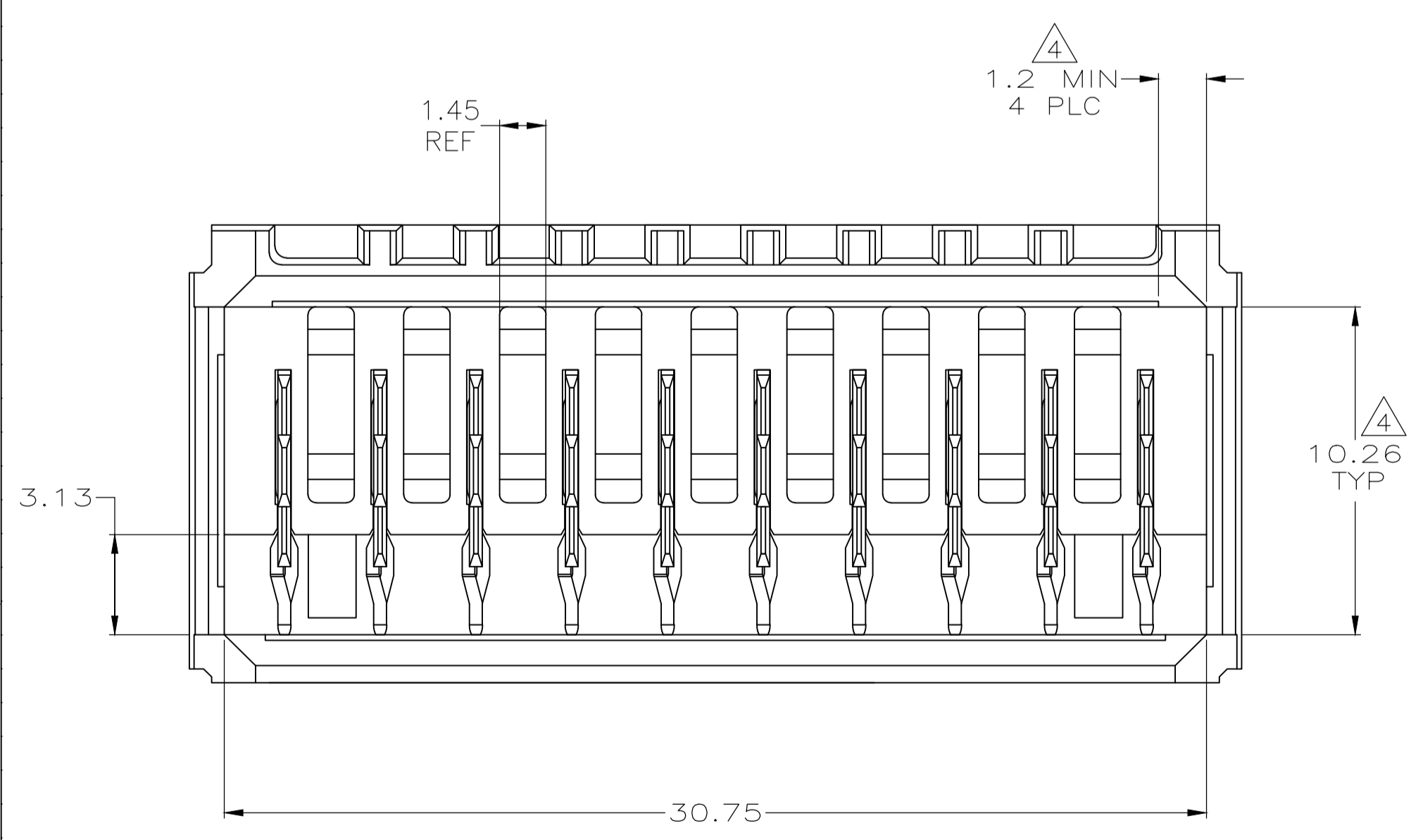
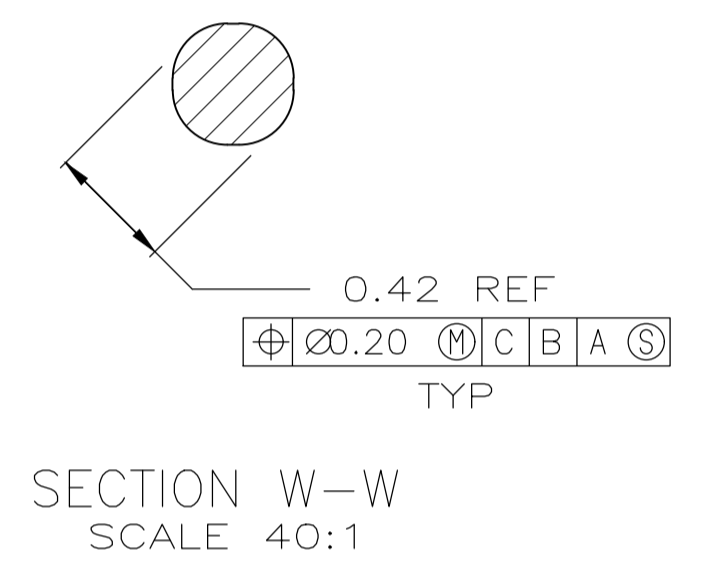


LOC		DIST		REVISIONS			
P	LTR	DATE	DMN	APVD			
C1	REV PER	ECO-20-004668	10JUN2020	ML	SZ		



- ⚠ MATERIAL: HOUSING: POLYESTER. COLOR: GRAY. UL 94V-0. CONTACT: COPPER ALLOY.
 - ⚠ FINISH: IN ACCORDANCE WITH PRODUCT SPECIFICATION 108-1651, GOLD PLATING OR EQUIVALENT PLATING ON PRODUCT CONTACT MATING AREA, AND MATTE TIN PLATING ON COMPLIANT PIN AREA, ALL OVER MATTE NICKEL UNDERPLATED. DETAIL PLEASE REFER TO PRODUCT SPECIFICATION 108-1651.
 - ⚠ FINISH: CONTACT LUBRICATION WITH BELLCORE APPROVED LUBRICANT. TECHNICAL REFERENCE: GR-1217-CORE, ISSUE 1, NOVEMBER 1995.
 - ⚠ THE 10.26±0.13 DIMENSION APPLIES IN THIS AREA.
 - ⚠ REFERENCE APPLICATION SPEC 114-1103 FOR RECOMMENDED PLATED THRU HOLE DIAMETER AND PLATING THICKNESS.
6. CURRENT RATING 10A/CONTACT PER PRODUCT SPEC 108-1651.



5646960-1
PART NUMBER

THIS DRAWING IS A CONTROLLED DOCUMENT.		DIN B CARBO 150EC04	Tyco Electronics Corporation Harrisburg, Pa 17105-3608
DIMENSIONS: mm		150EC04	
TOLERANCES UNLESS OTHERWISE SPECIFIED:		APVD R PATTERSON 150EC04	NAME R PATTERSON
0 PLC ± -	1 PLC ± -	PRODUCT SPEC 108-1651	ASSEMBLY, RIGHT ANGLE HEADER, W/ RETENTION PEGS, UNIVERSAL POWER MODULE
2 PLC ± 0.13	3 PLC ± -	APPLICATION SPEC 114-1103	SIZE A1
4 PLC ± -	ANGLES ± -	WEIGHT -	CAGE CODE DRAWING NO 00779 C=5646960
MATERIAL 1	FINISH 2-3	CUSTOMER DRAWING	SCALE 6:1 SHEET 1 OF 1 REV C1