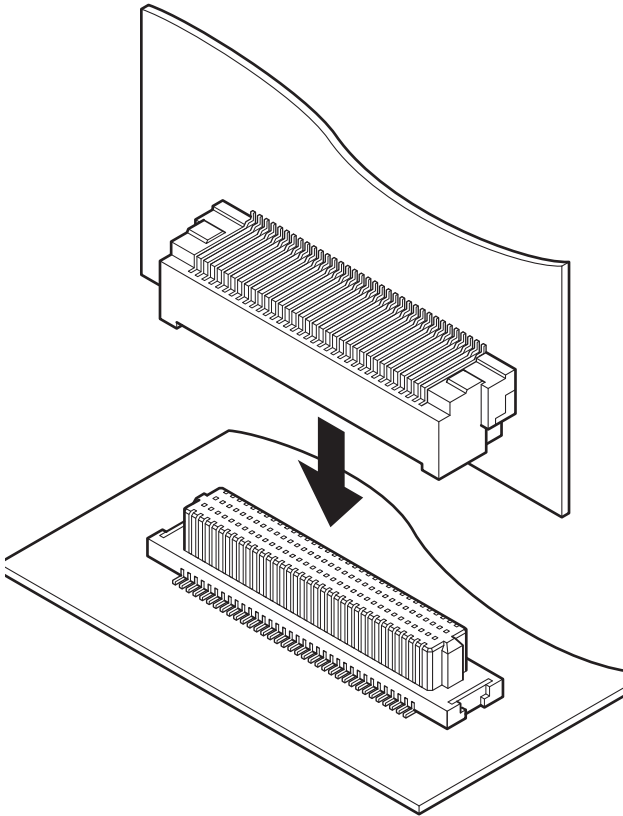




JMD CONNECTOR

0.5 mm pitch/Board-to-Board connectors/Mating style



This connector is 0.5 mm pitch SMT type board-to-board connector with horizontal and vertical connection.

■ Features

- **Smooth connection**
Thanks to the cantilever type contacts, mating is very smooth.
- **Distortion preventive construction**
Box-shaped plug housing has the guide ribs on both ends, which prevents distortion.
- **Wide range of circuits**
No. of circuits available are from 20 to 100, every 10 circuits.
- **Embossed taping for automatic mounting**
This connector is supplied in embossed tape packaging, for mounting by automatic placement machines.

■ Standards

Ⓡ : Recognized E 60389

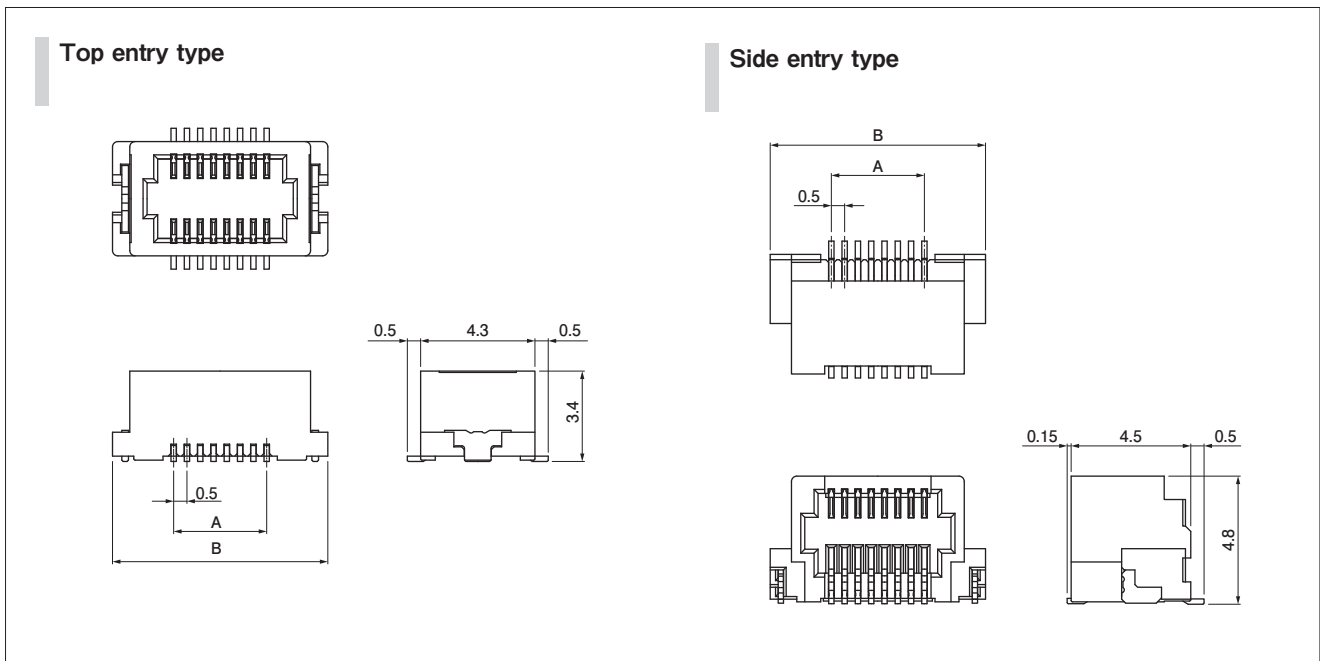
Ⓢ : Certified LR 20812

■ Specifications

- Current rating: 0.5 A AC/DC
 - Voltage rating: 50 V AC/DC
 - Temperature range: -25°C to +85°C
(including temperature rise in applying electrical current)
 - Contact resistance:
 - Initial value/ 50 mΩ max.
 - After environmental tests/ 100 mΩ max.
 - Insulation resistance: 50 MΩ min.
 - Withstanding voltage:
 - There shall be no breakdown or flashover while applying 100 VAC for one minute.
- * Please refer to the "Handling Precautions for Terminals and Connectors" on our website (listed in the "Technical Documents" column on the Product Information page) before use.
- * RoHS2 compliance
- * Dimensional unit: mm
- * Contact JST for details.

JMD CONNECTOR

Plug



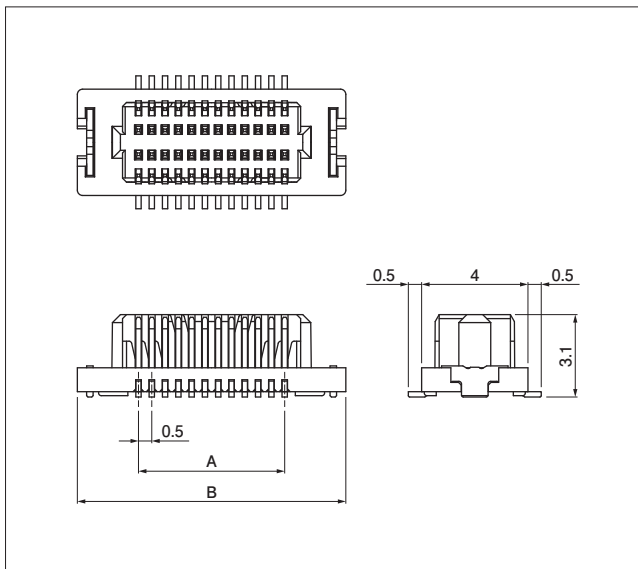
No. of circuits	Model No.			Dimensions (mm)		Q'ty/reel	
	Top entry type			Side entry type	A		B
	Stacking height						
4.5 mm	5.0 mm	6.0 mm					
20	20P-JMDSS-G-1-TF	—	—	20PS-JMDSS-G-1-TF	4.5	9.1	1,500
30	—	30P5.0-JMDSS-G-1-TF	—	30PS-JMDSS-G-1-TF	7.0	11.6	1,500
40	40P-JMDSS-G-1-TF	40P5.0-JMDSS-G-1-TF	—	40PS-JMDSS-G-1-TF	9.5	14.1	1,500
50	50P-JMDSS-G-1-TF	—	50P6.0-JMDSS-G-1-TF	50PS-JMDSS-G-1-TF	12.0	16.6	1,500
60	60P-JMDSS-G-1-TF	—	60P6.0-JMDSS-G-1-TF	60PS-JMDSS-G-1-TF	14.5	19.1	1,500
70	70P-JMDSS-G-1-TF	—	70P6.0-JMDSS-G-1-TF	70PS-JMDSS-G-1-TF	17.0	21.6	1,500
80	80P-JMDSS-G-1-TF	—	—	80PS-JMDSS-G-1-TF	19.5	24.1	1,500
100	100P-JMDSS-G-1-TF	—	—	100PS-JMDSS-G-1-TF	24.5	29.1	1,500

Material and Surface finish, etc.

Plug contact: Phosphor bronze, nickel-undercoated, gold-plated
 Plug housing: Polyamide, UL94V-0, natural
 Reinforcing tab: Brass, copper-undercoated, tin-plated

- Note: 1. This product displays (LF) (SN) on a label.
 2. This product is supplied on embossed tape and reel packaging.

Receptacle



No. of circuits	Model No.	Dimensions (mm)		Q'ty/reel
		A	B	
20	20R-JMDSS-G-1-TF (S)	4.5	9.1	1,500
30	30R-JMDSS-G-1-TF (S)	7.0	11.6	1,500
40	40R-JMDSS-G-1-TF (S)	9.5	14.1	1,500
50	50R-JMDSS-G-1-TF (S)	12.0	16.6	1,500
60	60R-JMDSS-G-1-TF (S)	14.5	19.1	1,500
70	70R-JMDSS-G-1-TF (S)	17.0	21.6	1,500
80	80R-JMDSS-G-1-TF (S)	19.5	24.1	1,500
100	100R-JMDSS-G-1-TF (S)	24.5	29.1	1,500

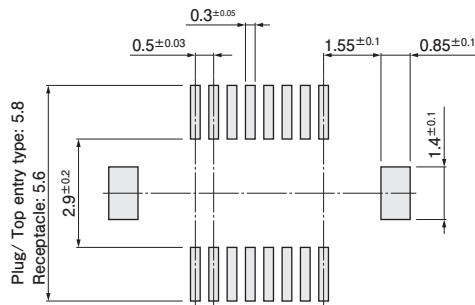
Material and Surface finish, etc.

Receptacle contact: Phosphor bronze, nickel-undercoated, gold-plated
 Receptacle housing: Polyamide, UL94V-0, natural
 Reinforcing tab: Brass, copper-undercoated, tin-plated

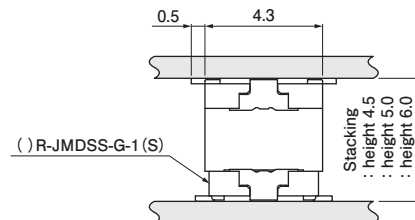
Note: 1. This product displays (LF) (SN) on a label.
 2. This product is supplied on embossed tape and reel packaging.

PC board layout and Assembly layout

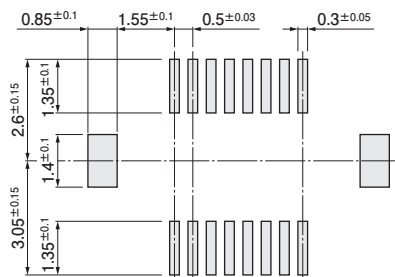
Plug/ Top entry type Receptacle



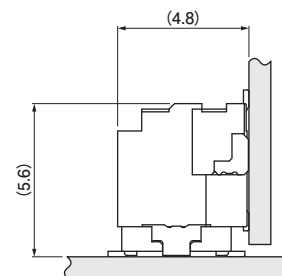
Top entry type



Plug/ Side entry type



Side entry type



Note: 1. The PC board layout is the figure viewed from the connector mounting side.
 2. Tolerance for the PCB hole pitch shall be ± 0.03 and shall not accumulate.
 3. The above dimensions are reference values. Please contact JST for details.