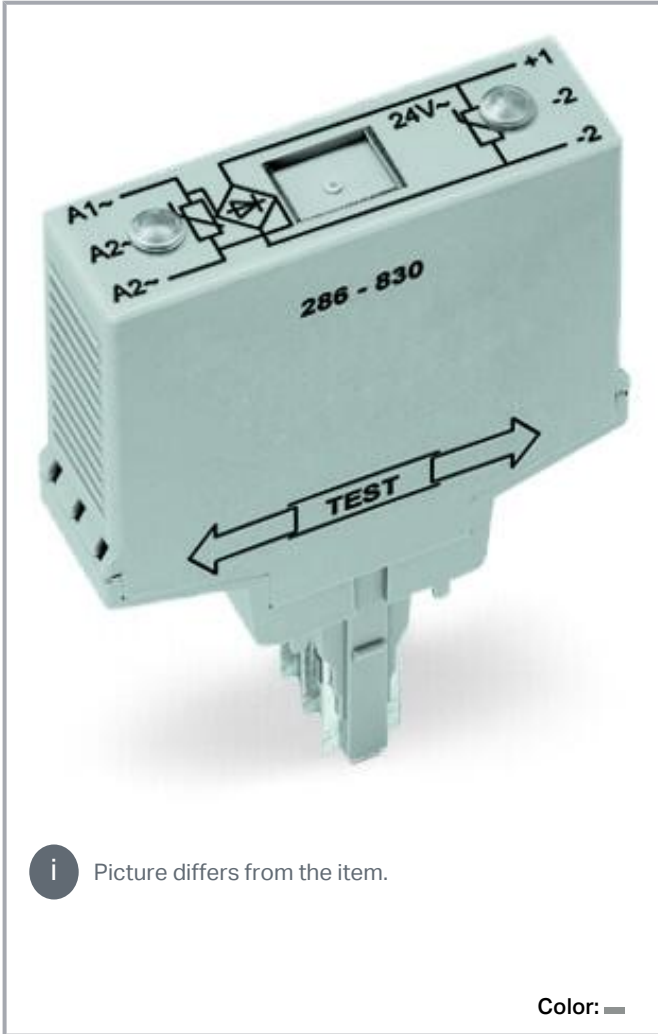


Data sheet | Item number: 286-840 **DISCONTINUED**

Bridge rectifier module; Input voltage: 250 VAC; with varistor protective circuit; gray

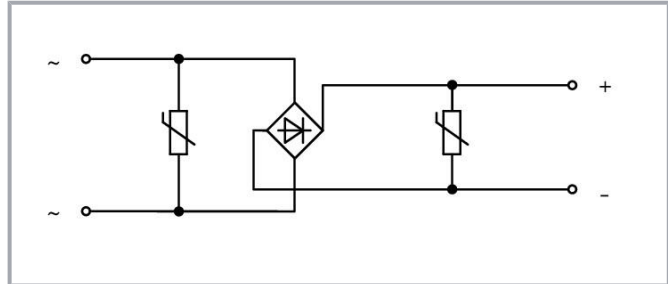


www.wago.com/286-840



i Picture differs from the item.

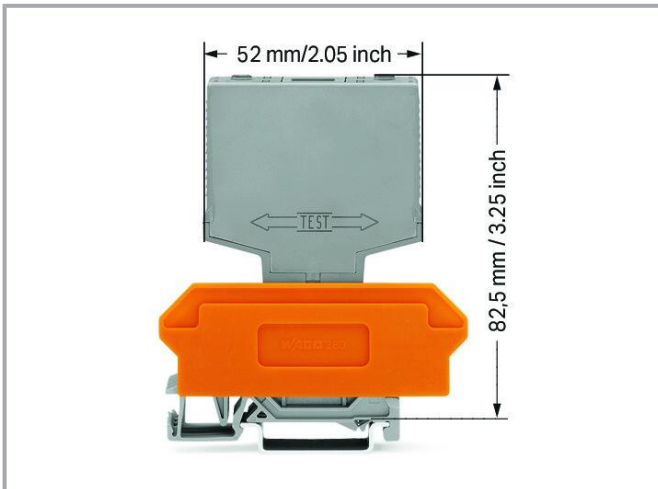
Color: —



Subject to changes. Please also observe the further product documentation!

WAGO GmbH & Co. KG
Hansastr. 27
32423 Minden
Phone: +49571 887-0 | Fax: +49571 887-169
Email: info.de@wago.com | Web: www.wago.com

Do you have any questions about our products?
We are always happy to take your call at +49 (571) 887-44222.



This item has been discontinued and is no longer available as of 28.07.2023.

Data

Electrical data

| | |
|---------------------------|----------|
| Nominal operating voltage | AC 230 V |
| Operating voltage | ≤250 VAC |
| Nominal current | 1 A |
| Switch-on capacity | < 500 μF |

Physical data

| | |
|------------------------------------|-----------------------|
| Width | 15 mm / 0.591 inches |
| Height from upper-edge of DIN-rail | 82.5 mm / 3.25 inches |
| Depth | 52 mm / 2.047 inches |

Mechanical Data

| | |
|----------------|---|
| Mounting type | Pluggable module for receptacle terminal blocks |
| Housing design | Plug for carrier terminal blocks |

Material data

| | |
|-----------|----------|
| Color | gray |
| Fire load | 0.336 MJ |
| Weight | 22 g |

Subject to changes. Please also observe the further product documentation!

Environmental requirements

| | |
|---------------------------------|--|
| Ambient temperature (operation) | -25 ... +40 °C |
| Relative humidity | 5 ... 95 % (no condensation permissible) |
| Operating altitude (max.) | 2000 m |

Commercial data


| | |
|---------------------------|--------------------------|
| Product Group | 6 (INTERFACE ELECTRONIC) |
| eCl@ss 10.0 | 27-04-07-01 |
| eCl@ss 9.0 | 27-04-07-01 |
| ETIM 8.0 | EC002540 |
| ETIM 7.0 | EC002540 |
| ECCN | NO DATA |
| PU (SPU) | 15 pcs |
| Packaging type | box |
| Country of origin | DE |
| GTIN | 4045454739676 |
| Customs tariff number | 85363010900 |
| End of Sale | 2023-07-28 |
| End of Production | 2024-04-30 |
| End of Delivery | 2024-05-30 |
| End of Service and Repair | 2024-06-30 |

Environmental Product Compliance

| | |
|---|--|
| CAS-No. | 7439-92-1 79-94-7 |
| REACH Candidate List Substance | 2,2',6,6'-tetrabromo-4,4'-isopropylidenediphenol Lead |
| RoHS Compliance Status | Compliant,With Exemption |
| RoHS Exemption | 7(a) |
| SCIP notification number (Bulgaria) | 20ae7a76-cdb0-4c10-810c-35c9da92cdc5 |
| SCIP notification number (Czech Republic) | 1b7932a2-3d2b-4b02-bba7-9cd805c6de0d |

Optional accessories

Marking accessories

| | |
|--|---|
| Marker | |
|  | Item no.: 209-701 WSB marking card; as card; not stretchable; plain; snap-on type; white |
| | www.wago.com/209-701 |

Subject to changes. Please also observe the further product documentation!

Terminal blocks

Terminal block for pluggable modules



Item no.: 280-619

Terminal block for pluggable modules; 6-pole; with 2-conductor terminal blocks; with orange separator; www.wago.com/280-619 for DIN-rail 35 x 15 and 35 x 7.5; 2.5 mm²; CAGE CLAMP®; 2,50 mm²; gray



Item no.: 280-609

Terminal block for pluggable modules; 6-pole; with 4-conductor terminal blocks; with orange separator; www.wago.com/280-609 for DIN-rail 35 x 15 and 35 x 7.5; 2.5 mm²; CAGE CLAMP®; 2,50 mm²; gray



Item no.: 280-763

Terminal block for pluggable modules; 6-pole; with 4-conductor terminal blocks; with marker carrier; www.wago.com/280-763 with orange separator; for DIN-rail 35 x 15 and 35 x 7.5; 2.5 mm²; CAGE CLAMP®; 2,50 mm²; gray

Downloads

Documentation

Instruction Leaflet

pdf
1.3 MB
Download

Additional Information

| | | | |
|---|-------------|--------|----------|
| Disposal and Recycling | V 1.1.0 | pdf | Download |
| Electrical and electronic equipment, Batteries, Packaging | 2022 Aug 18 | 2.2 MB | |

Installation Notes

Subject to changes. Please also observe the further product documentation!