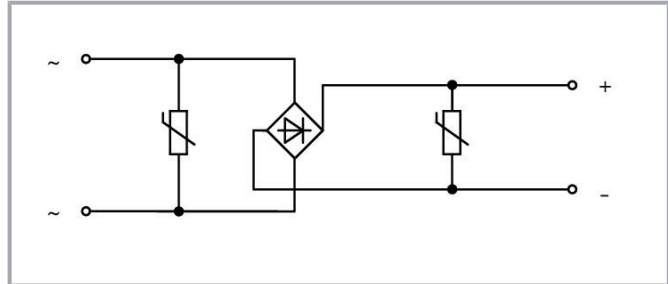
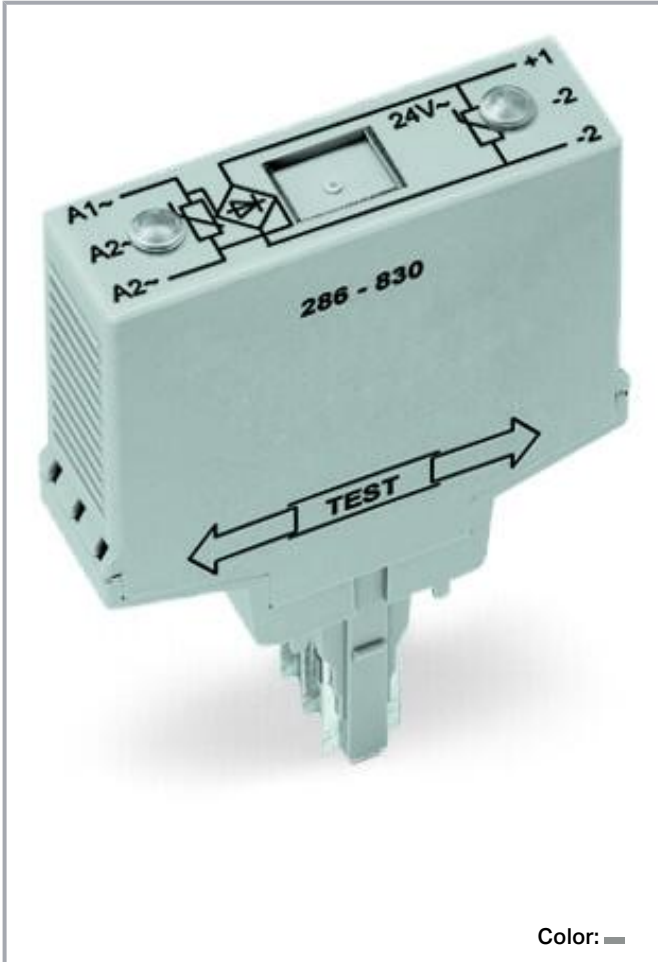


Data sheet | Item number: 286-830

Bridge rectifier module; Input voltage: 24 VAC; with varistor protective circuit; gray

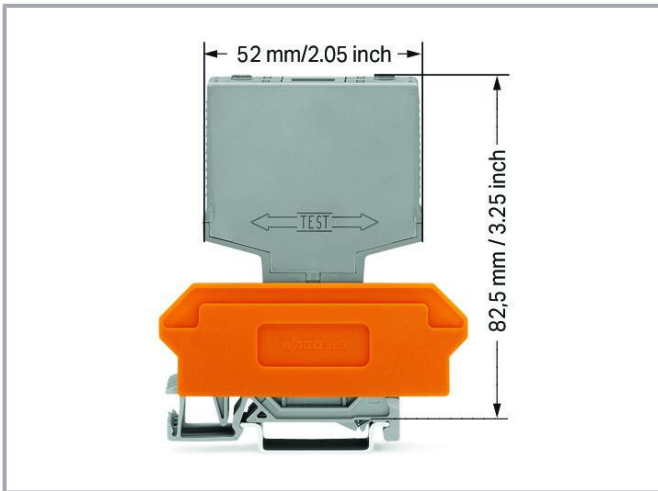
[www.wago.com/286-830](http://www.wago.com/286-830)



Subject to changes. Please also observe the further product documentation!

WAGO GmbH & Co. KG  
Hansastr. 27  
32423 Minden  
Phone: +49571 887-0 | Fax: +49571 887-169  
Email: [info.de@wago.com](mailto:info.de@wago.com) | Web: [www.wago.com](http://www.wago.com)

Do you have any questions about our products?  
We are always happy to take your call at +49 (571) 887-44222.



## Data

### Electrical data

Nominal operating voltage	AC 24 V
Operating voltage	≤35 VAC
Nominal current	1 A
Switch-on capacity	< 2200 μF

### Physical data

Width	15 mm / 0.591 inches
Height from upper-edge of DIN-rail	82.5 mm / 3.25 inches
Depth	52 mm / 2.047 inches

### Mechanical Data

Mounting type	Pluggable module for receptacle terminal blocks
Housing design	Plug for carrier terminal blocks

### Material data

Color	gray
Fire load	0.336 MJ
Weight	21.6 g

### Environmental requirements

Ambient temperature (operation)	-25 ... +40 °C
---------------------------------	----------------

Subject to changes. Please also observe the further product documentation!

Relative humidity	5 ... 95 % (no condensation permissible)
Operating altitude (max.)	2000 m

### Commercial data


Product Group	6 (INTERFACE ELECTRONIC)
eCl@ss 10.0	27-04-07-01
eCl@ss 9.0	27-04-07-01
ETIM 8.0	EC002540
ETIM 7.0	EC002540
Recupel Type	
ECCN	NO DATA
PU (SPU)	15 (1) pcs
Packaging type	box
Country of origin	DE
GTIN	4045454549848
Customs tariff number	8536901000

### Environmental Product Compliance


CAS-No.	7439-92-1 79-94-7
REACH Candidate List Substance	2,2',6,6'-tetrabromo-4,4'-isopropylidenediphenol Lead
RoHS Compliance Status	Compliant,With Exemption
RoHS Exemption	7(a)
SCIP notification number (Bulgaria)	0eeb444a-f734-44df-b87e-e101d818615a
SCIP notification number (Czech Republic)	2f85f016-c0bd-4538-b224-c47eda8ae1b4

### Optional accessories

#### Marking accessories

Marker	
	<b>Item no.: 209-701</b> WSB marking card; as card; not stretchable; plain; snap-on type; white
	<a href="http://www.wago.com/209-701">www.wago.com/209-701</a>

#### Terminal blocks

Terminal block for pluggable modules	
	<b>Item no.: 280-619</b> Terminal block for pluggable modules; 6-pole; with 2-conductor terminal blocks; with orange separator; <a href="http://www.wago.com/280-619">www.wago.com/280-619</a> for DIN-rail 35 x 15 and 35 x 7.5; 2.5 mm <sup>2</sup> ; CAGE CLAMP®; 2,50 mm <sup>2</sup> ; gray

Subject to changes. Please also observe the further product documentation!

**Item no.: 280-609**Terminal block for pluggable modules; 6-pole; with 4-conductor terminal blocks; with orange separator; for DIN-rail 35 x 15 and 35 x 7.5; 2.5 mm<sup>2</sup>; CAGE CLAMP®; 2,50 mm<sup>2</sup>; gray[www.wago.com/280-609](http://www.wago.com/280-609)**Item no.: 280-763**Terminal block for pluggable modules; 6-pole; with 4-conductor terminal blocks; with marker carrier; with orange separator; for DIN-rail 35 x 15 and 35 x 7.5; 2.5 mm<sup>2</sup>; CAGE CLAMP®; 2,50 mm<sup>2</sup>; gray[www.wago.com/280-763](http://www.wago.com/280-763)**Downloads****Documentation****Bid Text**

286-830 X81 - Datei	2019 Feb 19	xml 3.1 kB	Download
------------------------	-------------	---------------	----------

286-830 doc - Datei	2015 Apr 2	doc 24.6 kB	Download
------------------------	------------	----------------	----------

**Instruction Leaflet**

		pdf 1.3 MB	Download
--	--	---------------	----------

**Additional Information**

Disposal and Recycling Electrical and electronic equipment, Batteries, Packaging	V 1.1.0 2022 Aug 18	pdf 2.2 MB	Download
---	------------------------	---------------	----------

**CAD/CAE-Data****CAE data**

WSCAD Universe 286-830		URL	Download
------------------------	--	-----	----------

**Environmental Product Compliance****Compliance Search**

Environmental Product Compliance 286-830 Bridge rectifier module; Input voltage: 24 VAC; with varistor protective circuit; gray		URL	Download
--	--	-----	----------

**Installation Notes**

Subject to changes. Please also observe the further product documentation!